

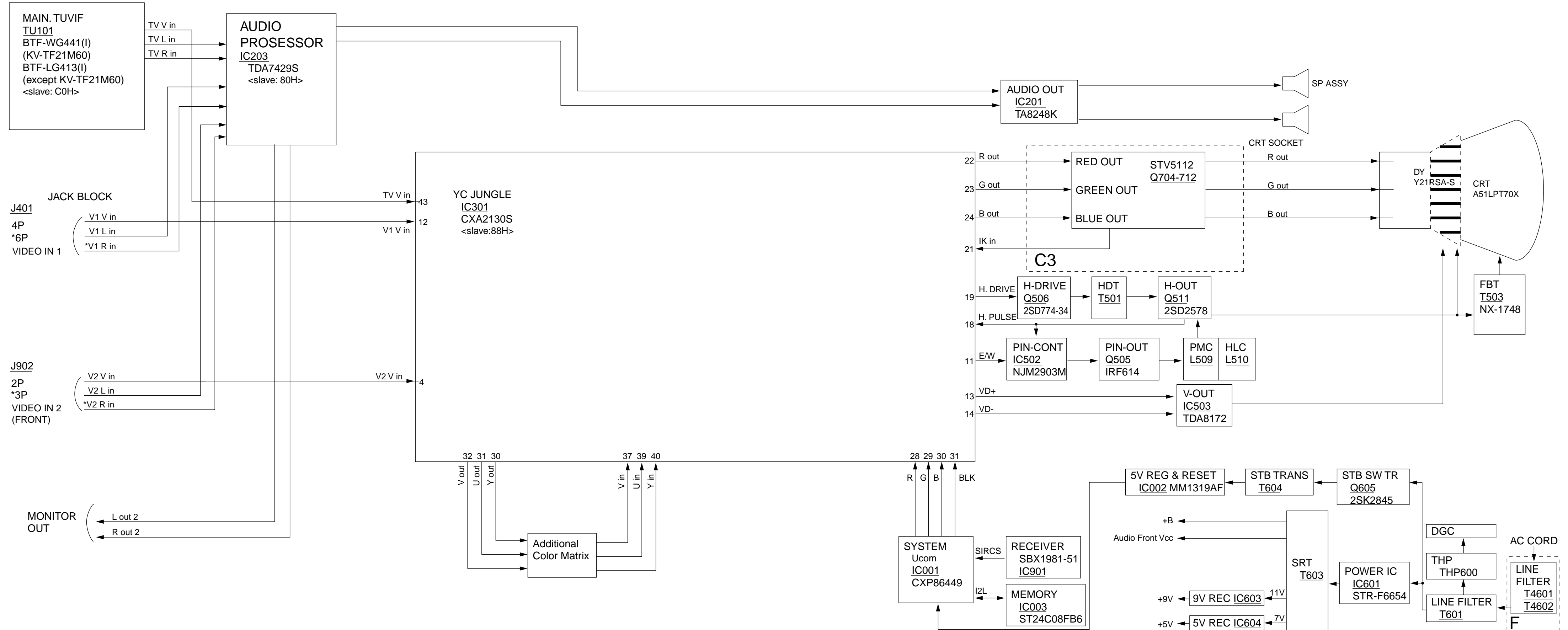
**SECTION 5  
DIAGRAM**

KV-PF21P40/TF21M60/TF21P50  
RM-952

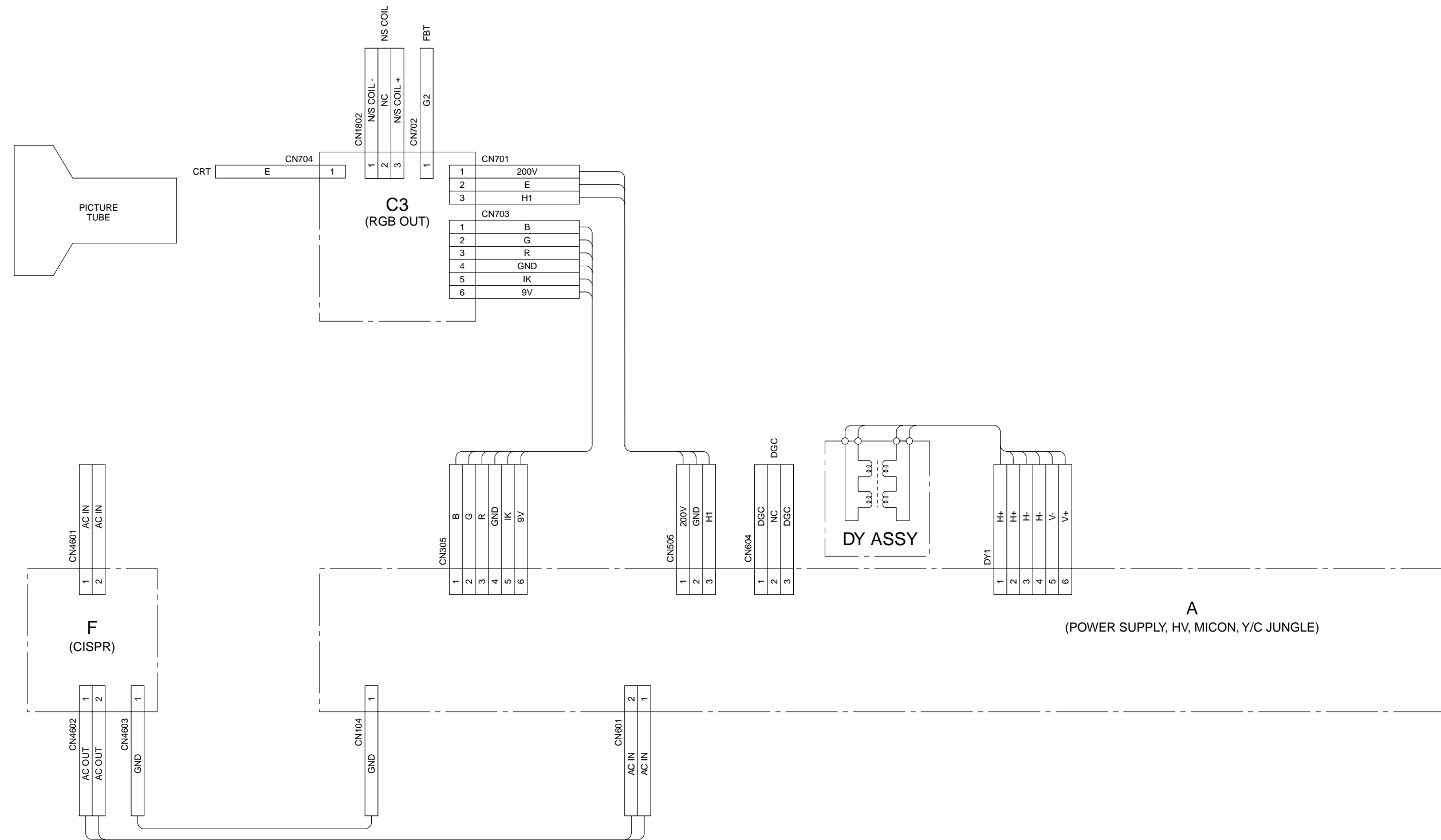
KV-PF21P40/TF21M60/TF21P50  
RM-952

KV-PF21P40/TF21M60/TF21P50  
RM-952

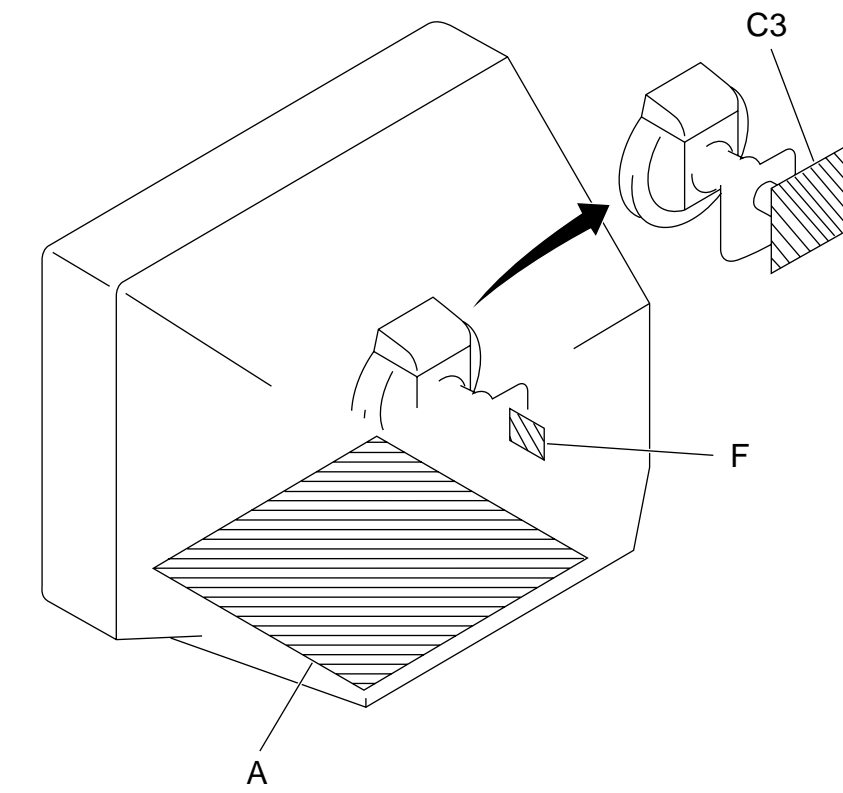
**5-1. BLOCK DIAGRAM**



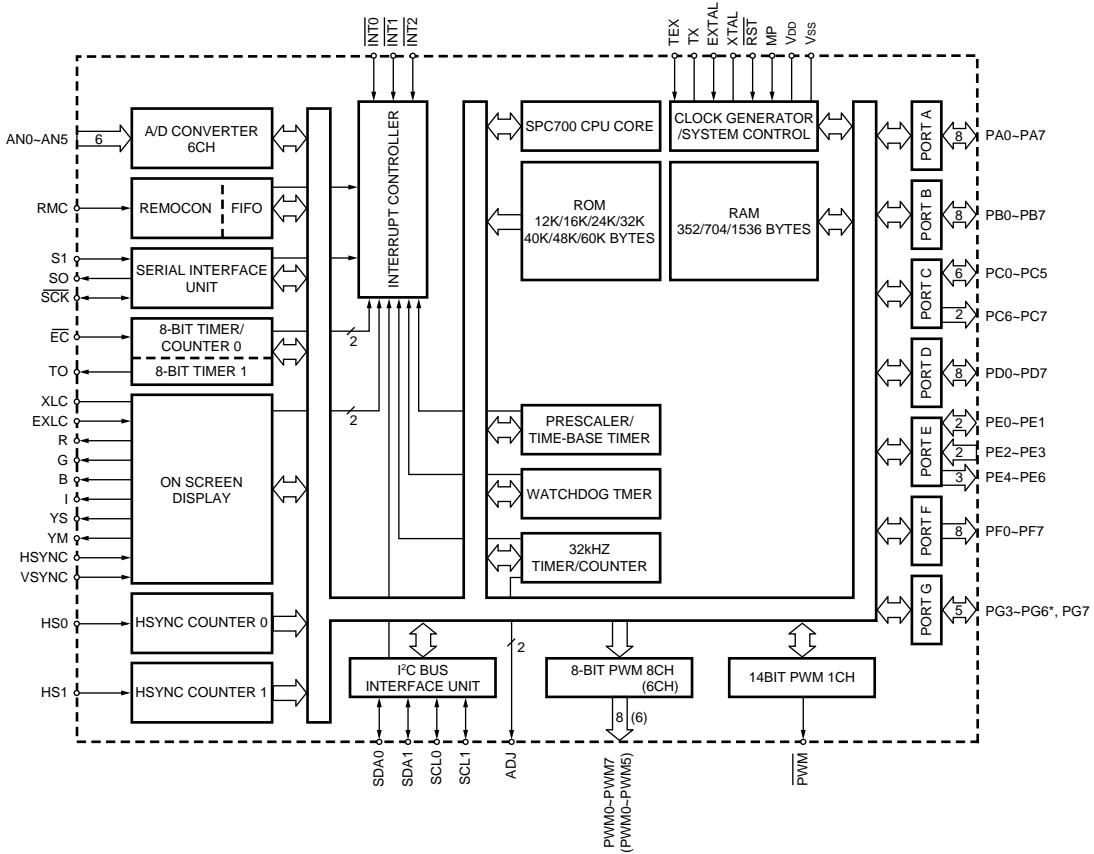
5-2. FRAME SCHEMATIC DIAGARM



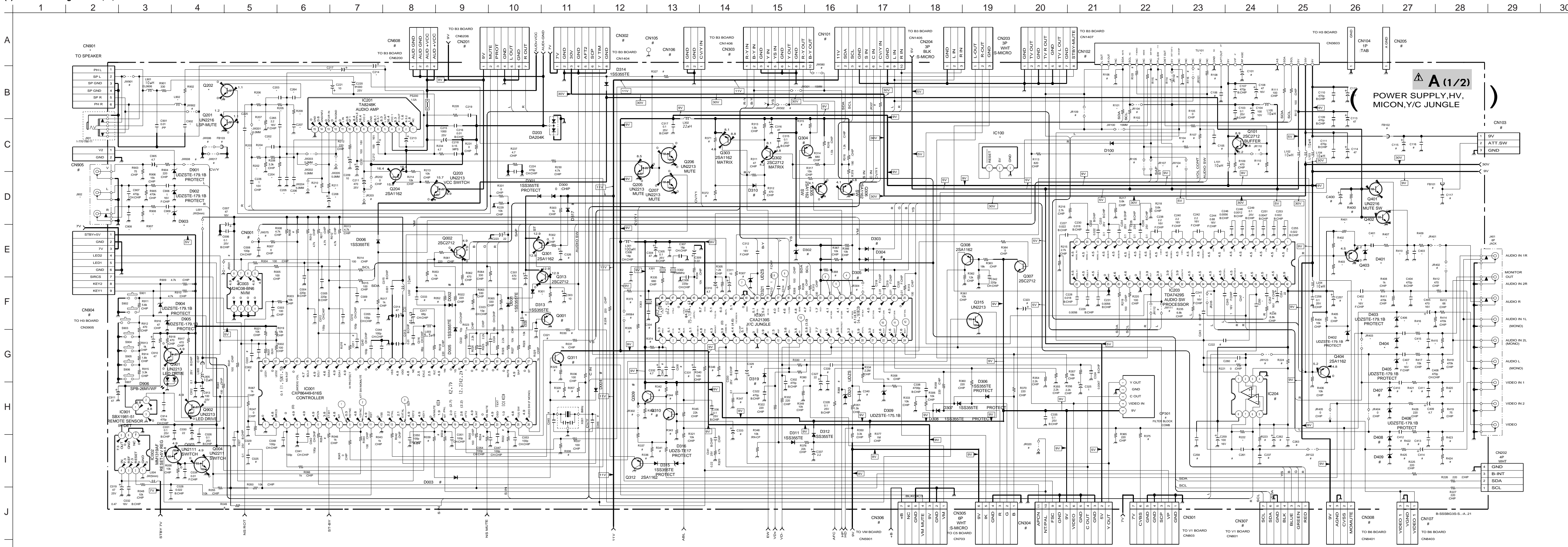
5-3. CIRCUIT BOARDS LOCATION



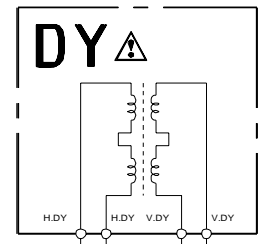
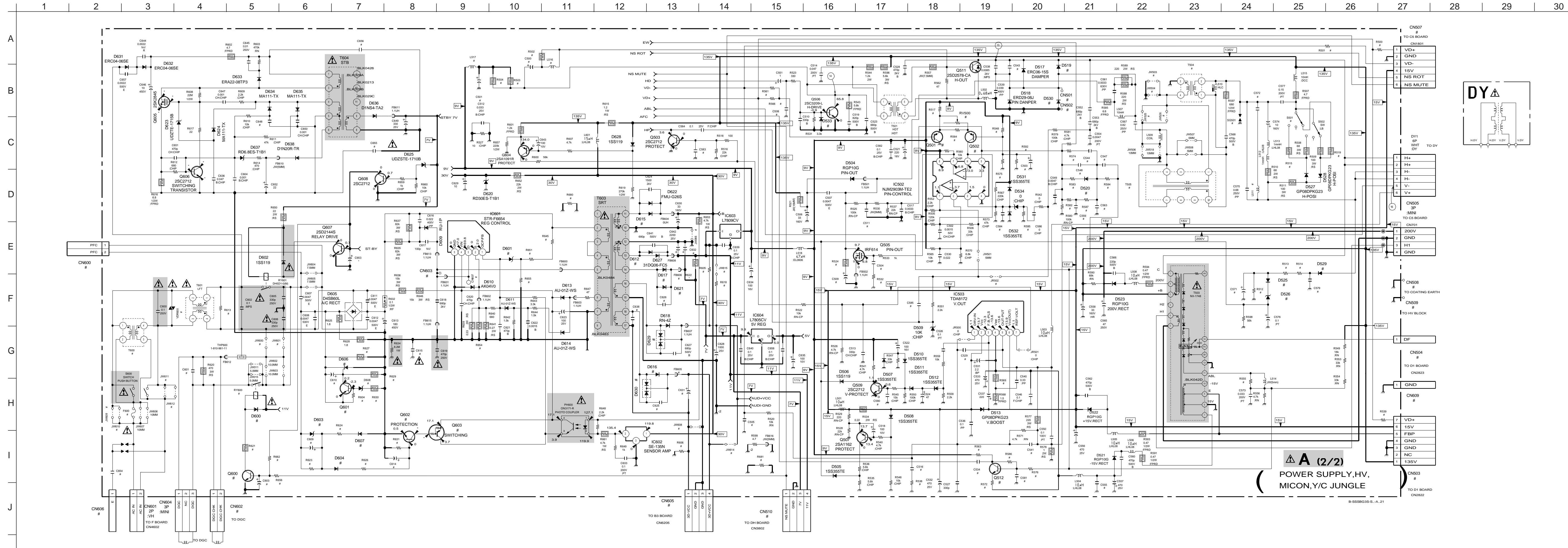
A BOARD IC001 CXP86449-616S



(1) Schematic Diagram of A(1/2) board

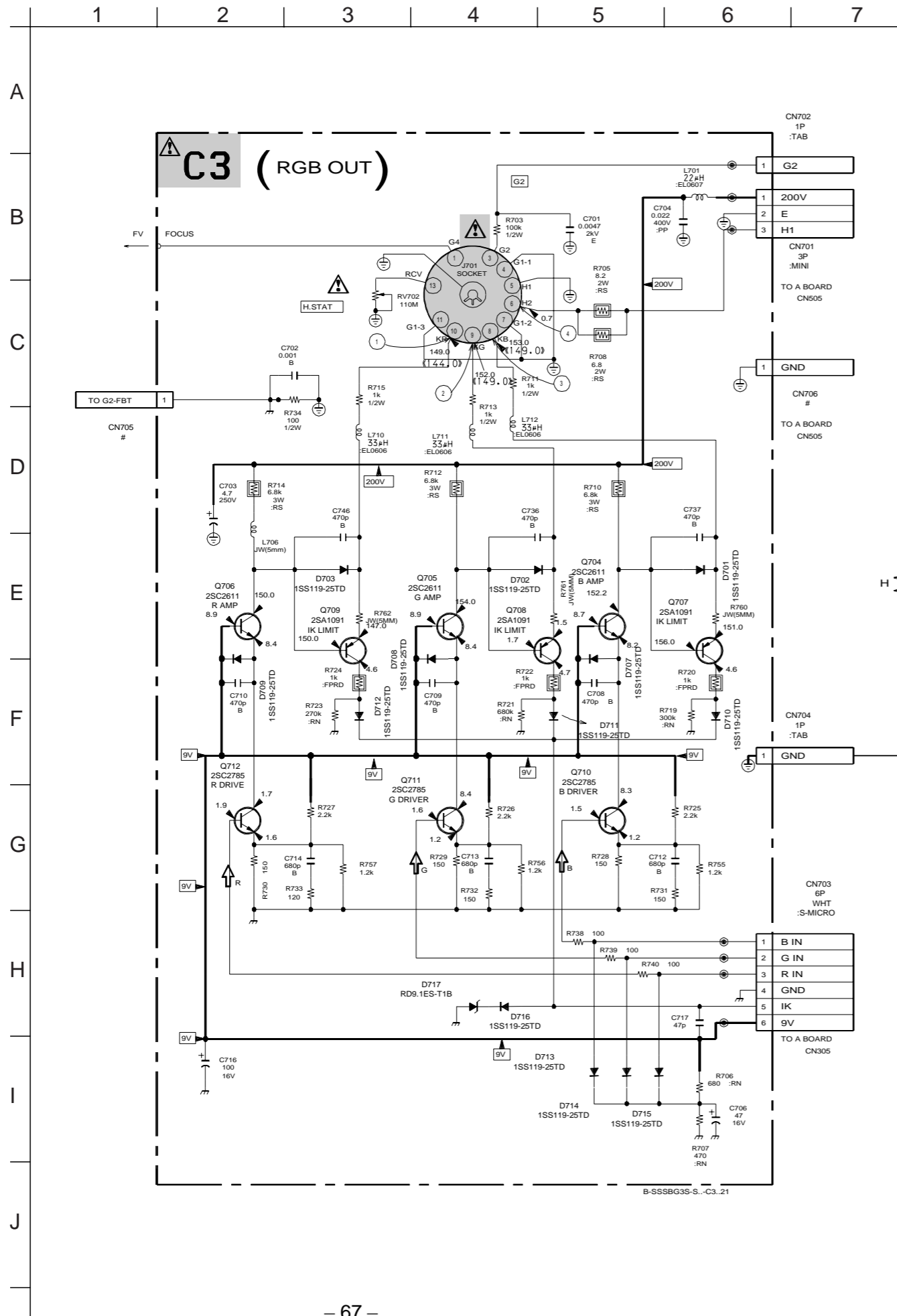


(2) Schematic Diagram of A(2/2) board

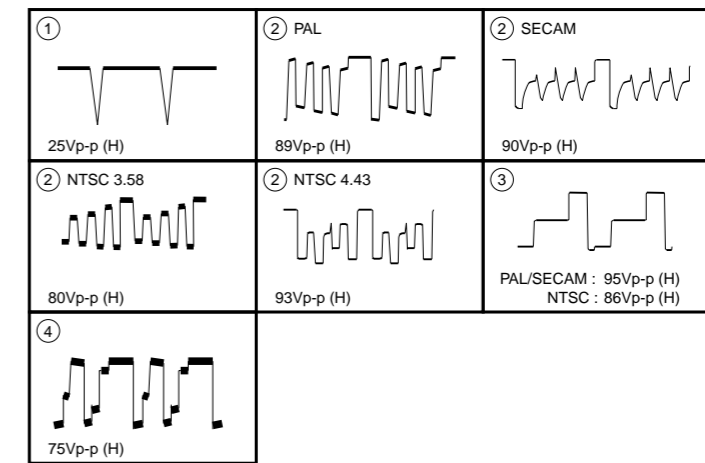


**A (2/2)**  
POWER SUPPLY, HV,  
MICON, Y/C JUNGLE

(3) Schematic Diagram of C3 board



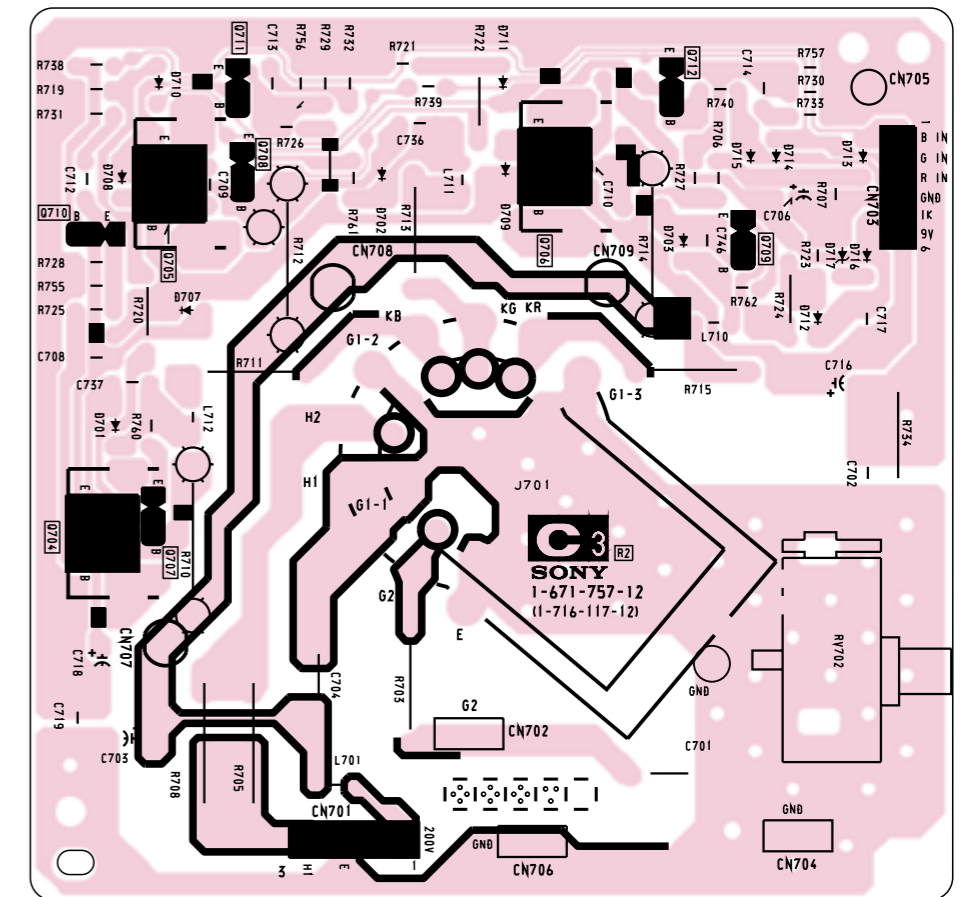
C3 BOARD WAVEFORMS



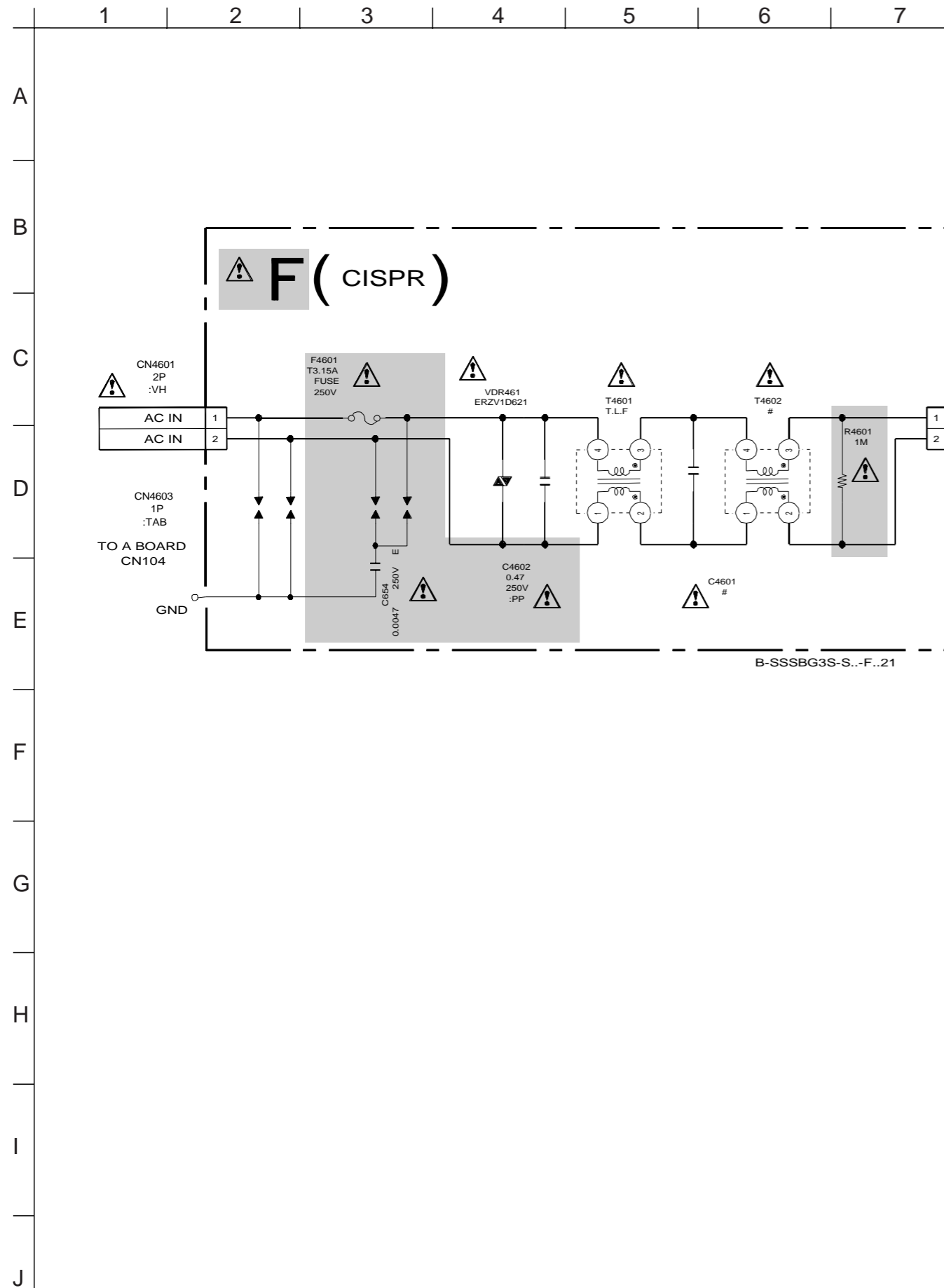
C3 [RGB OUT]

PRINTED WIRING BOARD

- C3 Board -



(4) Schematic Diagram of F board



PRINTED WIRING BOARD

**F** [CISPR]

- F Board -

