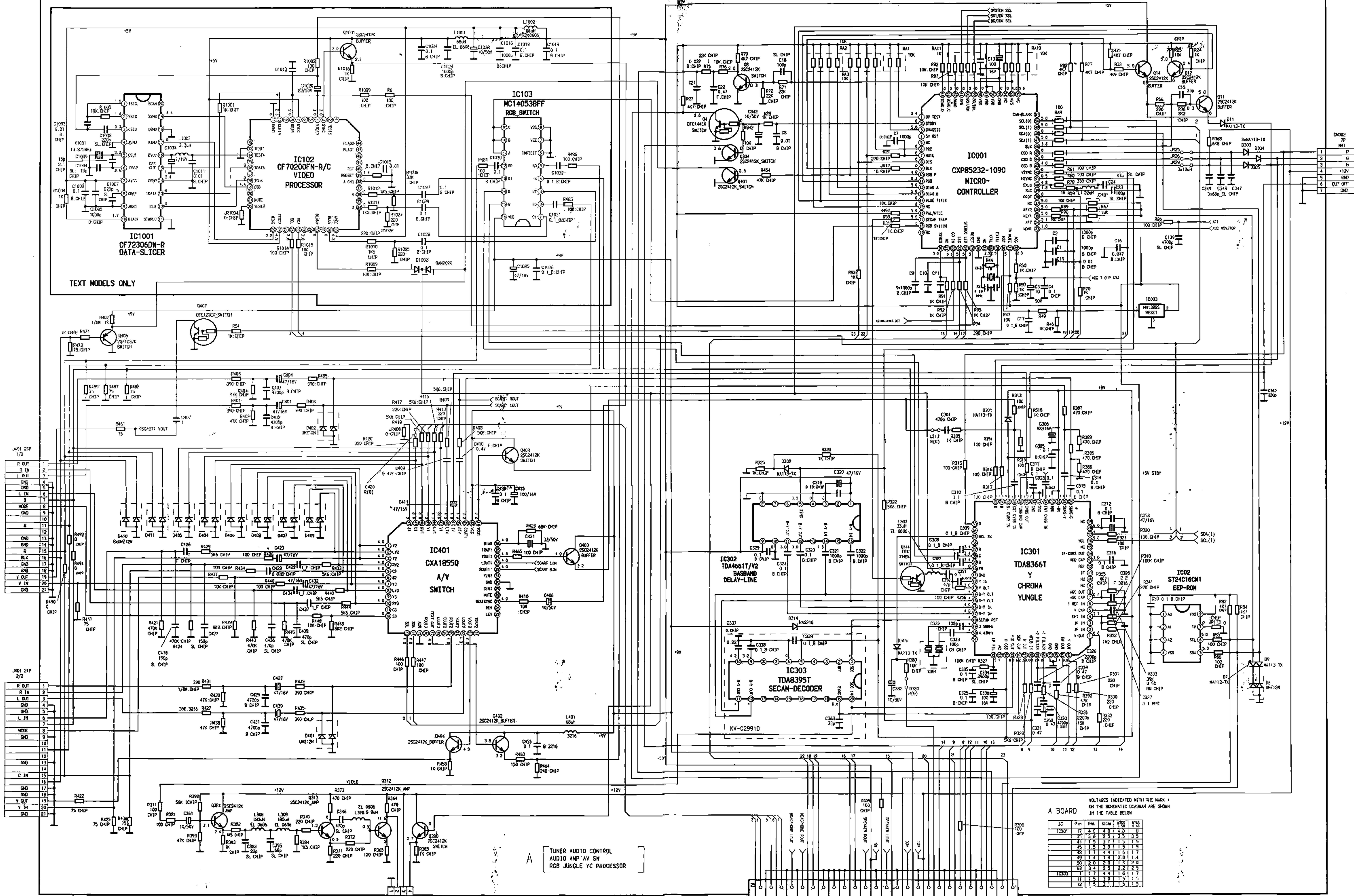


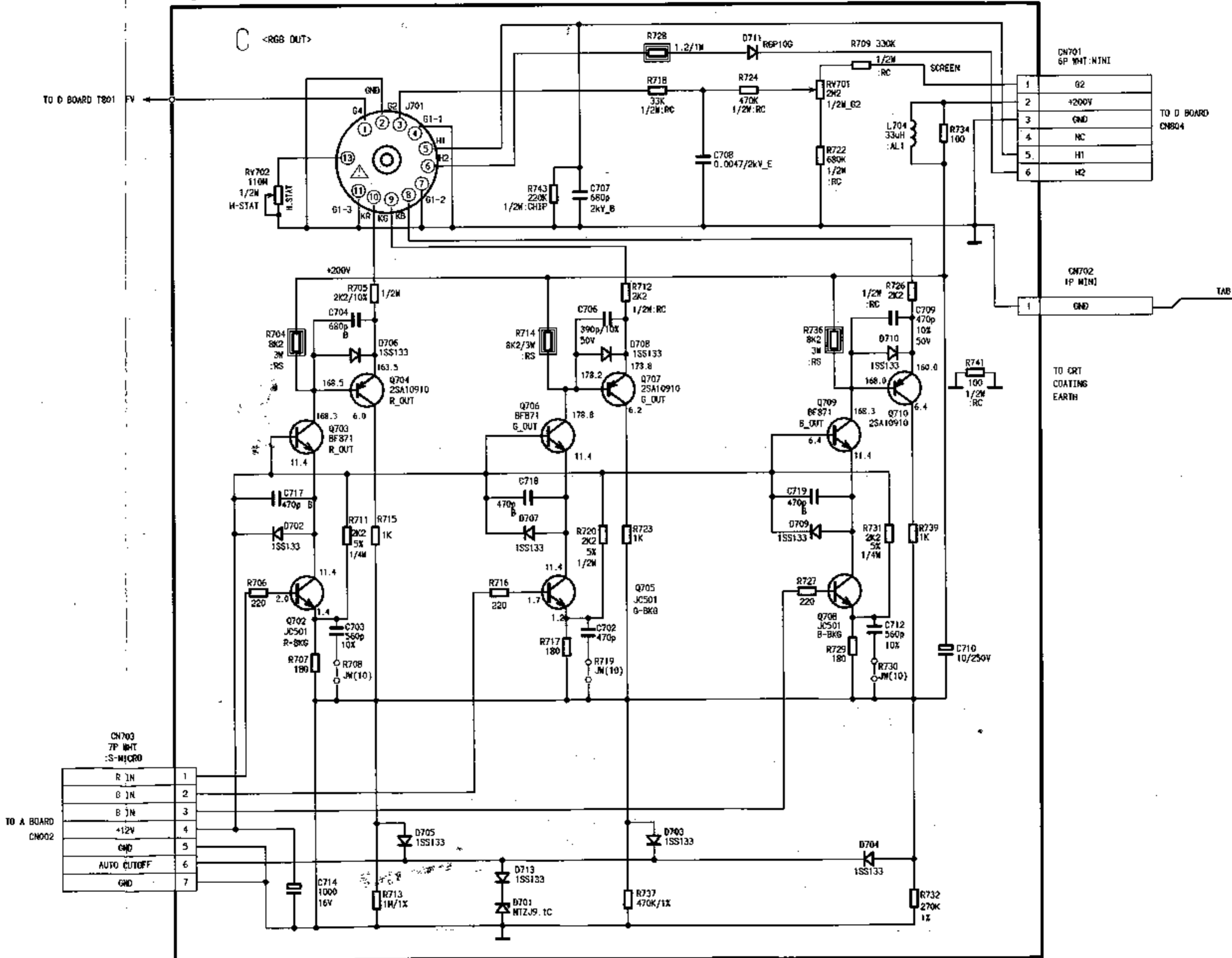
**Sony KV-C2991A, KV-C2991D  
chassis BE-3B**

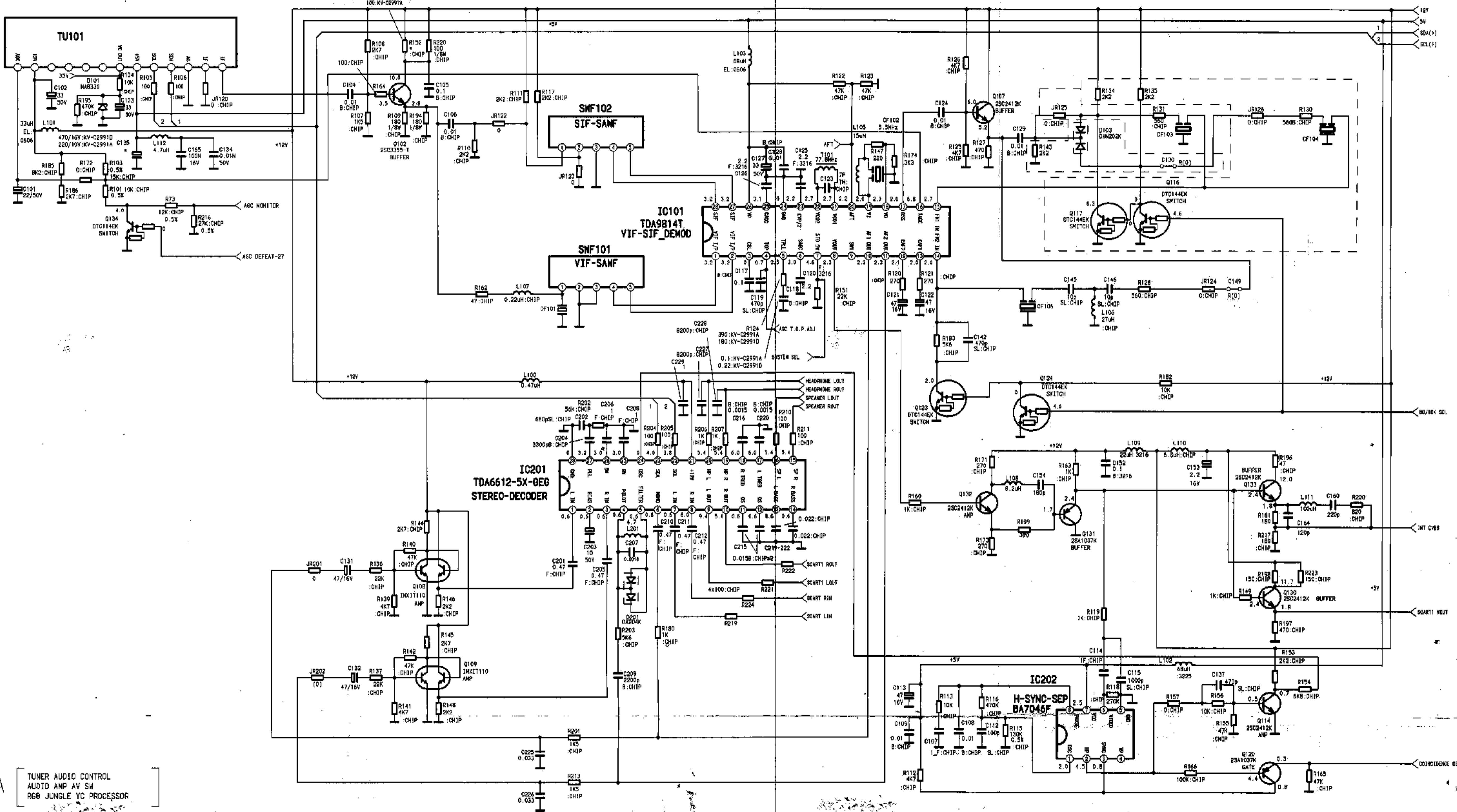


- J401 21P 1/2
- 1 R OUT
  - 2 R IN
  - 3 L OUT
  - 4 GND
  - 5 GND
  - 6 L IN
  - 7 B
  - 8 MODE
  - 9 DND
  - 10
  - 11 G
  - 12
  - 13 GND
  - 14 GND
  - 15 R
  - 16 BLK
  - 17 SLD
  - 18 SLD
  - 19 Y OUT
  - 20 Y IN
  - 21 GND
- J401 21P 2/2
- 1 R OUT
  - 2 R IN
  - 3 L OUT
  - 4 GND
  - 5 GND
  - 6 L IN
  - 7
  - 8 MODE
  - 9 GND
  - 10
  - 11
  - 12
  - 13 GND
  - 14
  - 15 C IN
  - 16
  - 17 GND
  - 18
  - 19 Y OUT
  - 20 Y IN
  - 21 GND

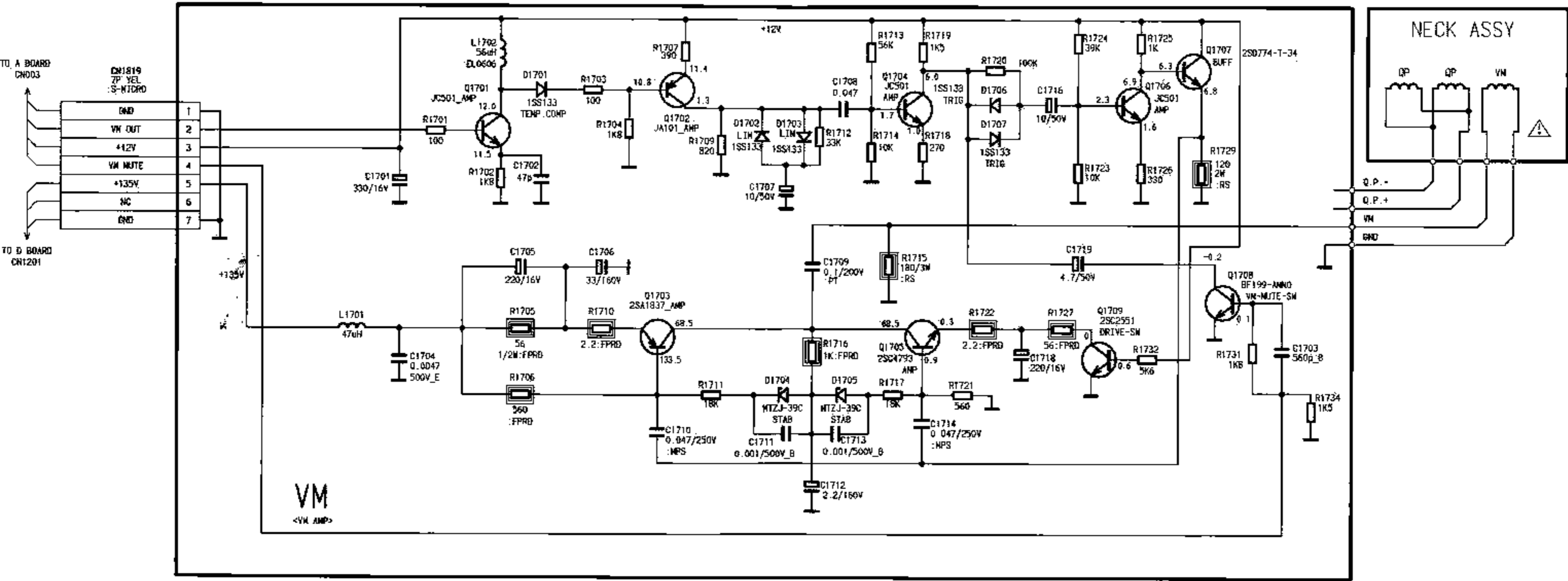
VOLTAGES INDICATED WITH THE MARK \* ON THE SCHEMATIC DIAGRAM ARE SHOWN IN THE TABLE BELOW

IC	Pin	PAL	SECAM	SP	Y/C
IC301	17	4.0	4.0	4.0	0
	35	3.6	2.5	3.5	3.5
	45	5.0	1.1	1.5	1.5
	48	7.4	4.4	1.6	1.7
	49	4.4	4.4	2.0	1.4
IC302	22	0.7	0.7	1.4	0
	63	3.4	2.5	2.2	2.5
	71	5.0	4.4	1.6	1.7
IC303	11	5.0	3.0	1.5	1.5
	12	5.1	2.1	1.5	1.5





A  
 TUNER AUDIO CONTROL  
 AUDIO AMP AV SW  
 RGB JUNGLE YC PROCESSOR



VM  
<VM AMP>