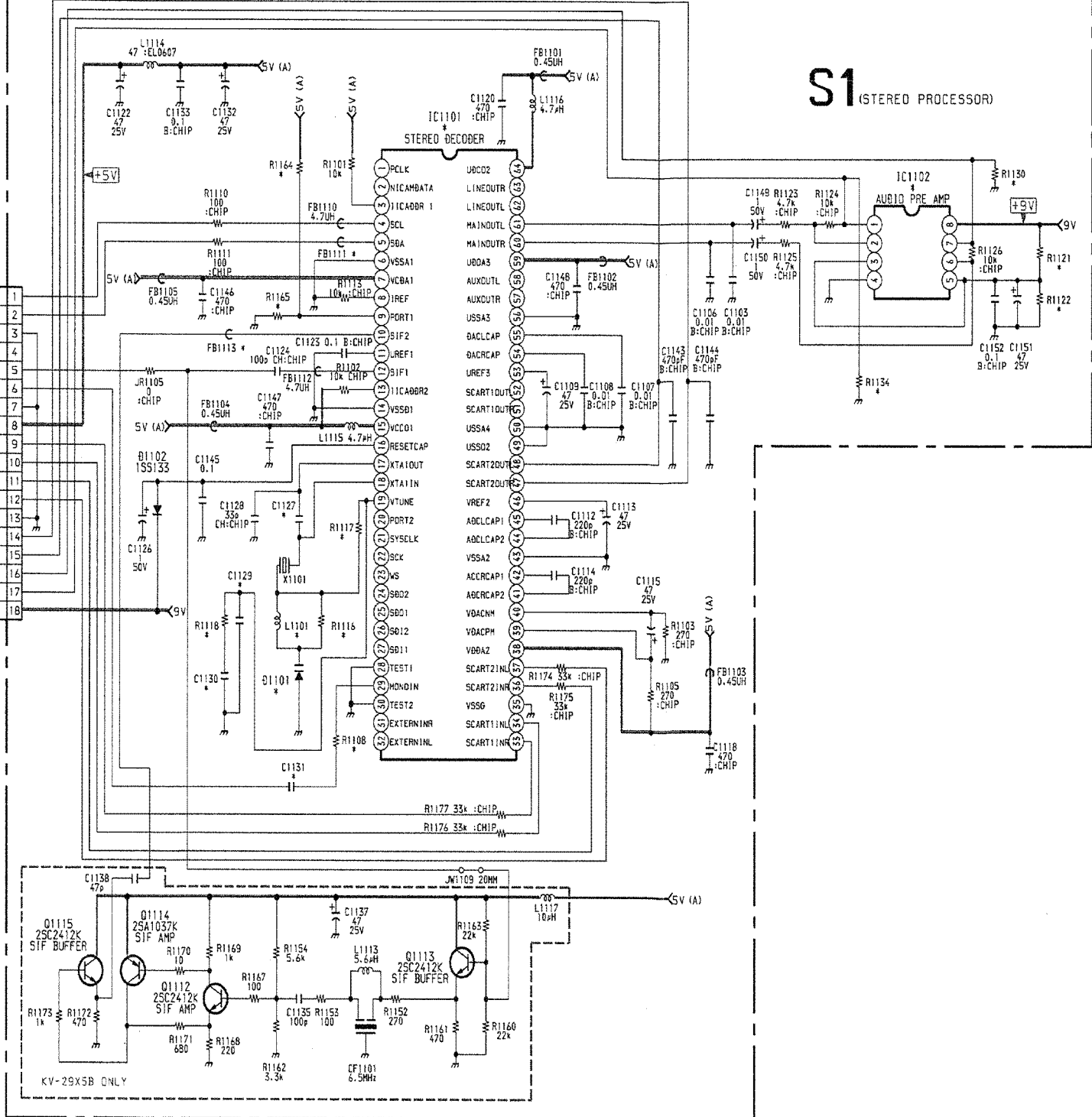


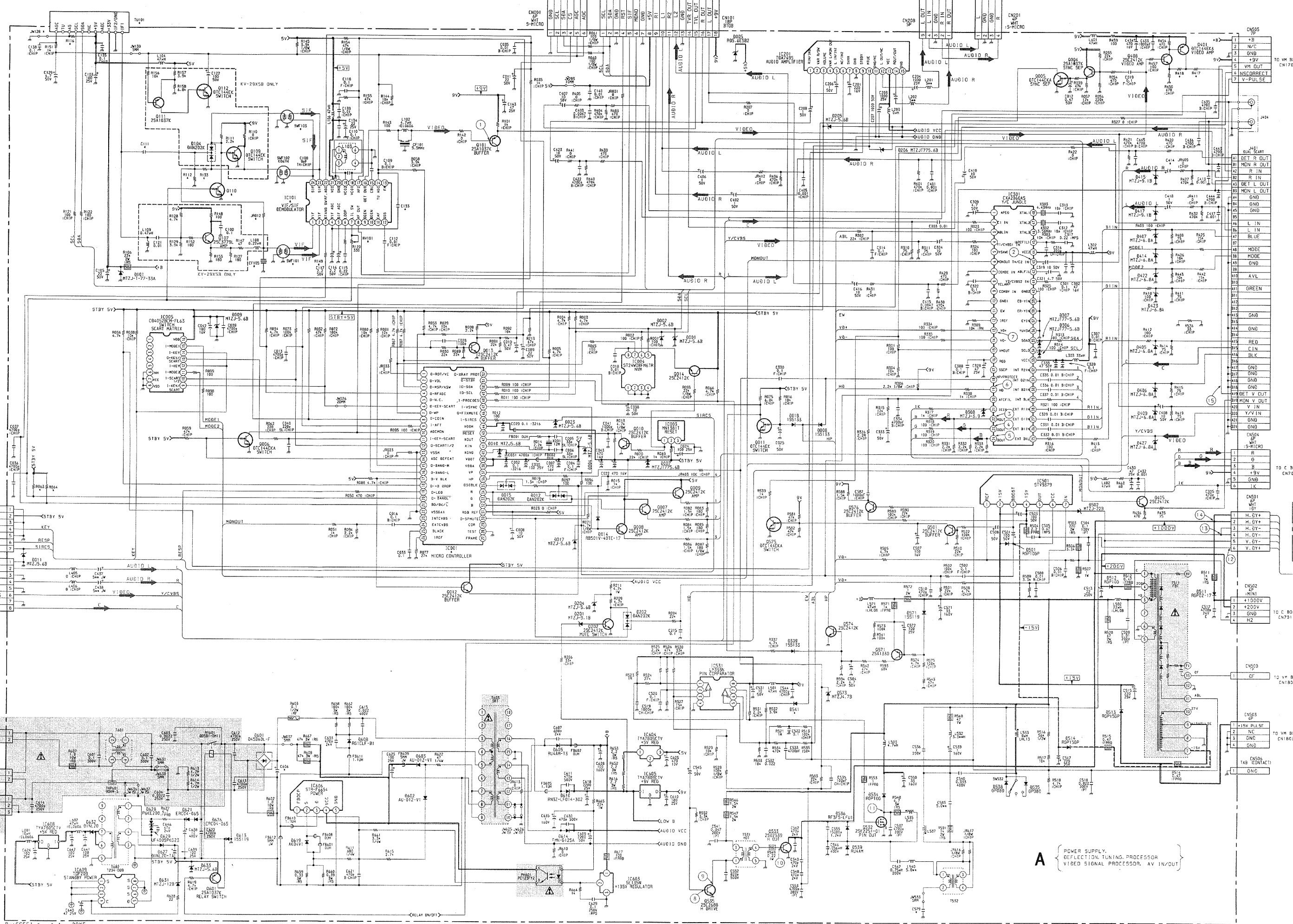
S1 (STEREO PROCESSOR)

CN1101 18P :BTOB	SCL 0	1
	SDA 0	2
	GN0	3
	RESET	4
	SIF	5
	MON0	6
	GN0	7
	+5V	8
	R1	9
	L1	10
	R2	11
	L2	12
	GN0	13
	TVR OUT	14
	TVL OUT	15
	R OUT	16
	L OUT	17
	+9V	18

TO A BOARD
CN101

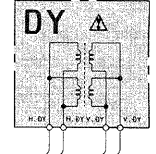


KV-29X5B ONLY



B-155FEL.C...A...-29X5

A { POWER SUPPLY,
DEFLECTION, TUNING, PROCESSOR
VIDEO SIGNAL PROCESSOR, AV IN/OUT }



TO C BOARD CN701

TO H1 BOARD CN1809

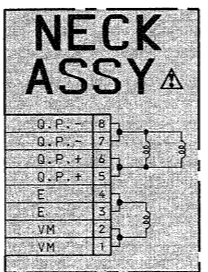
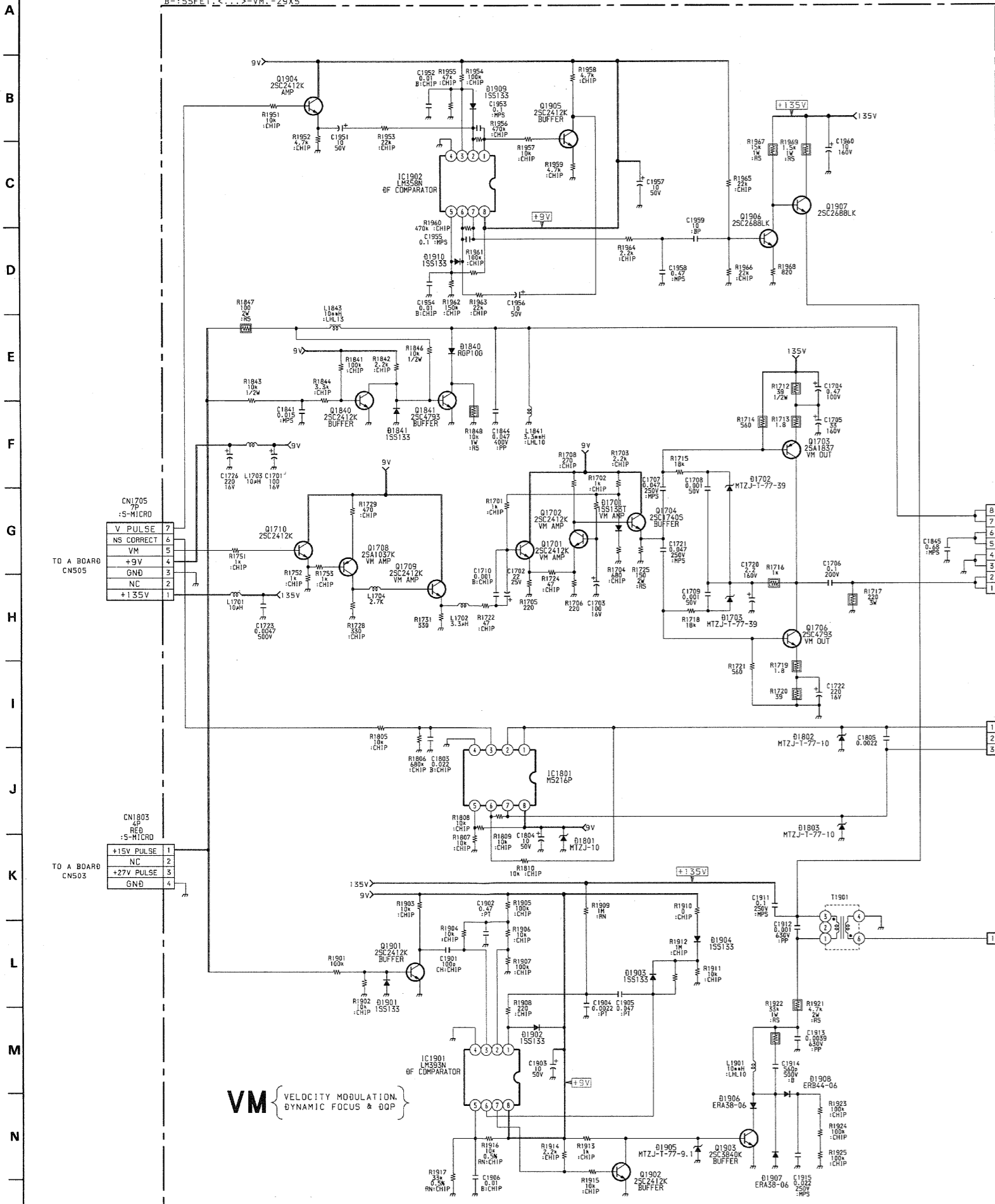
TO H1 BOARD CN1805

TO H1 BOARD CN1806

TO H1 BOARD CN1807

TO H1 BOARD CN1808

TO H1 BOARD CN1809



VM BOARD IC VOLTAGE TABLE

Ref No	Pin No	Voltage (V)
IC1801	1-3	5.0
	5-6	4.3
	7	3.7
IC1901	8	8.0
	9	4.8
	1	1.7
	2	4.0
	3	4.5
	5	6.7
	6	6.8
	7	3.6
IC1902	1-3	2.8
	5-6	5.2
	7	5.0
8	8.0	

C BOARD TRANSISTOR VOLTAGE TABLE

Ref No	(B) Base	(C) Collector	(E) Emitter
Q702	1.5	8.3	1.1
Q703	8.8	169.8	8.3
Q704	169.5	1.9	209.5
Q705	1.5	8.3	1.1
Q706	8.8	170.7	8.3
Q707	170.5	1.9	215.7
Q708	1.5	8.3	1.0
Q709	8.9	171.3	8.3
Q710	171.2	1.9	206.3

VM BOARD TRANSISTOR VOLTAGE TABLE

Ref No	(B) Base	(C) Collector	(E) Emitter
Q1701	2.4	6.7	1.8
Q1702	2.4	6.5	1.8
Q1703	133.4	52.0	133.8
Q1704	8.7	8.5	5.8
Q1706	0.8	52.0	0.5
Q1708	5.0	2.1	5.6
Q1709	5.4	8.0	4.7
Q1710	5.6	8.0	5.0
Q1840	-0.3	4.7	-
Q1901	0.4	1.3	-
Q1902	0.4	0.3	-
Q1903	0.3	62.0	-
Q1904	-	8.0	0.1
Q1905	2.7	6.5	2.2
Q1906	4.0	68.8	3.4
Q1907	68.7	122.2	68.2
Q1841	4.7	18.0	-

WAVEFORMS C BOARD

