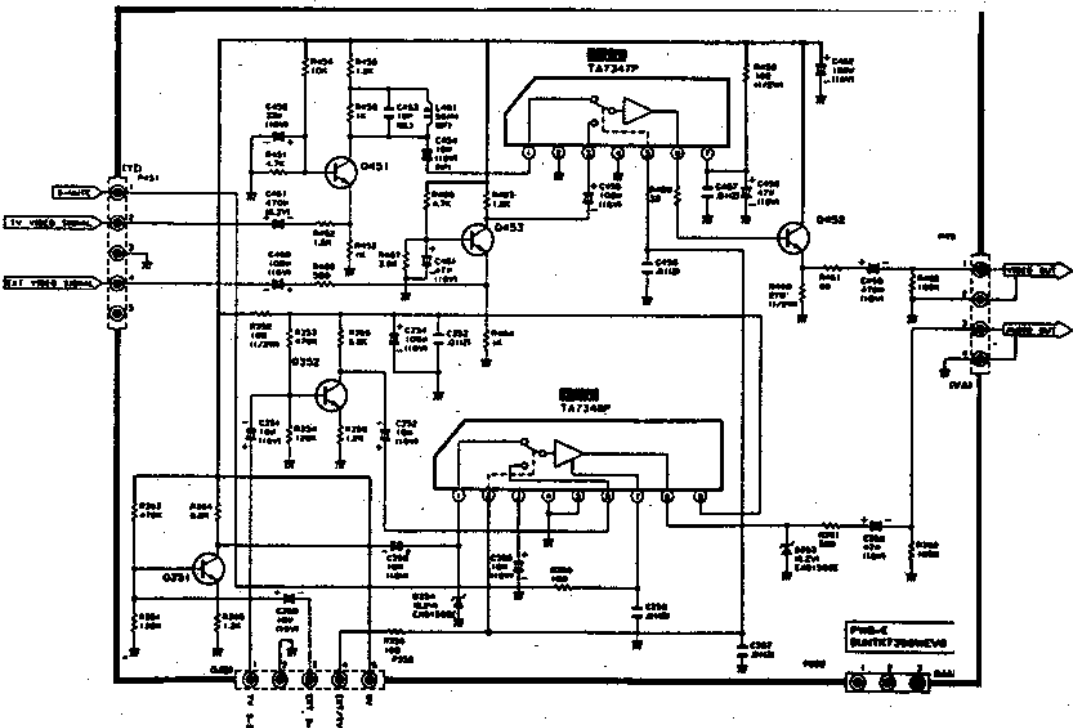
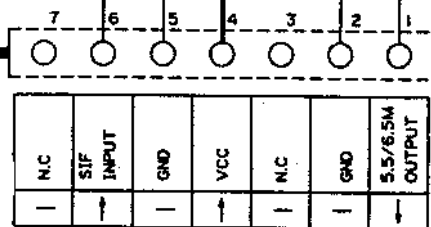
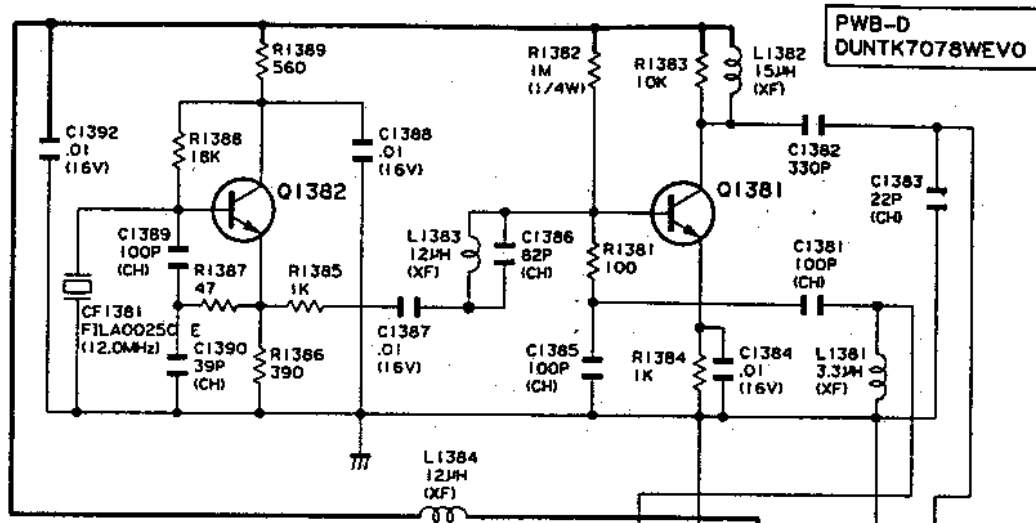


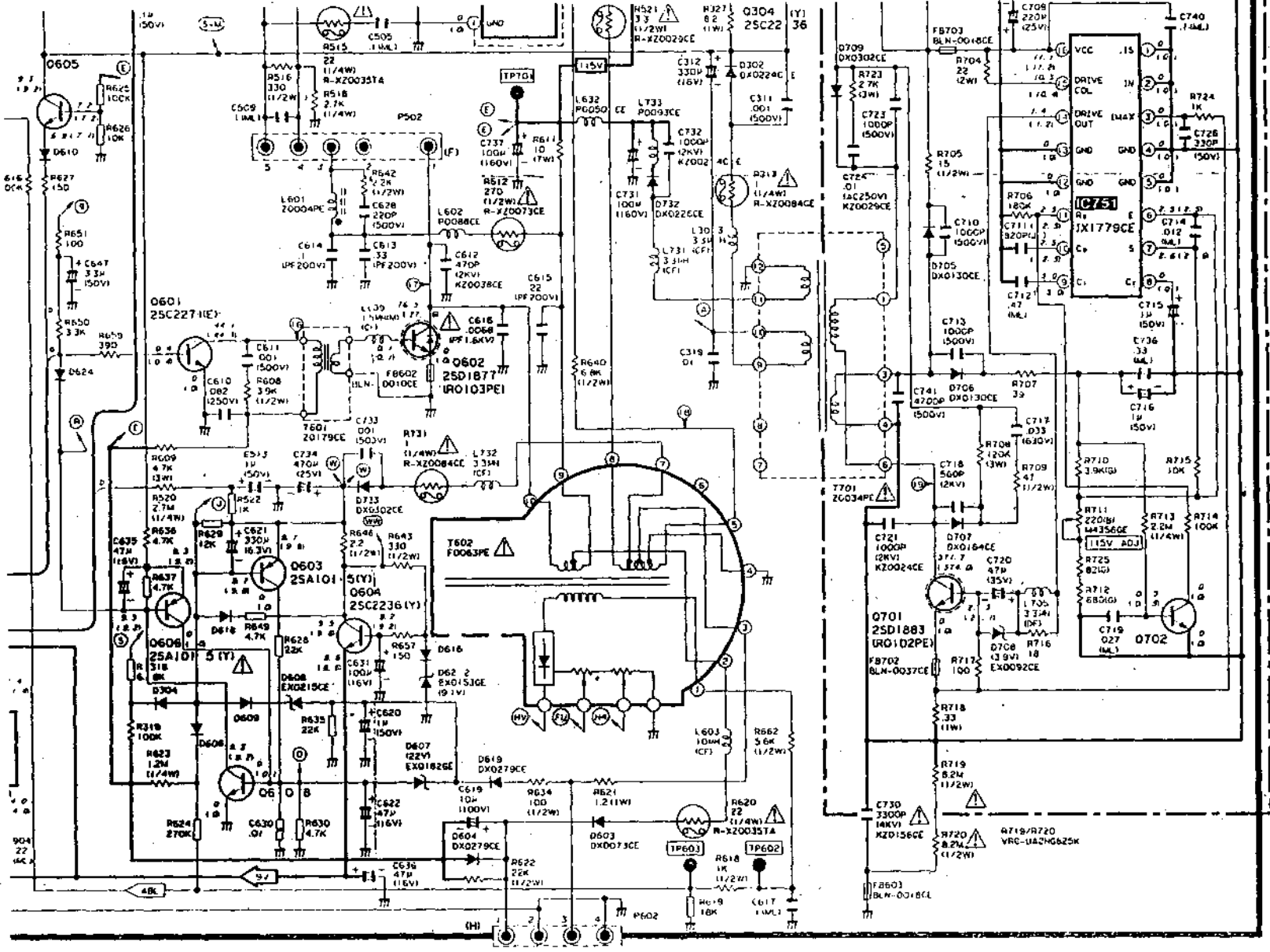
AUDIO-IN VIDEO-IN AUDIO-OUT VIDEO-OUT

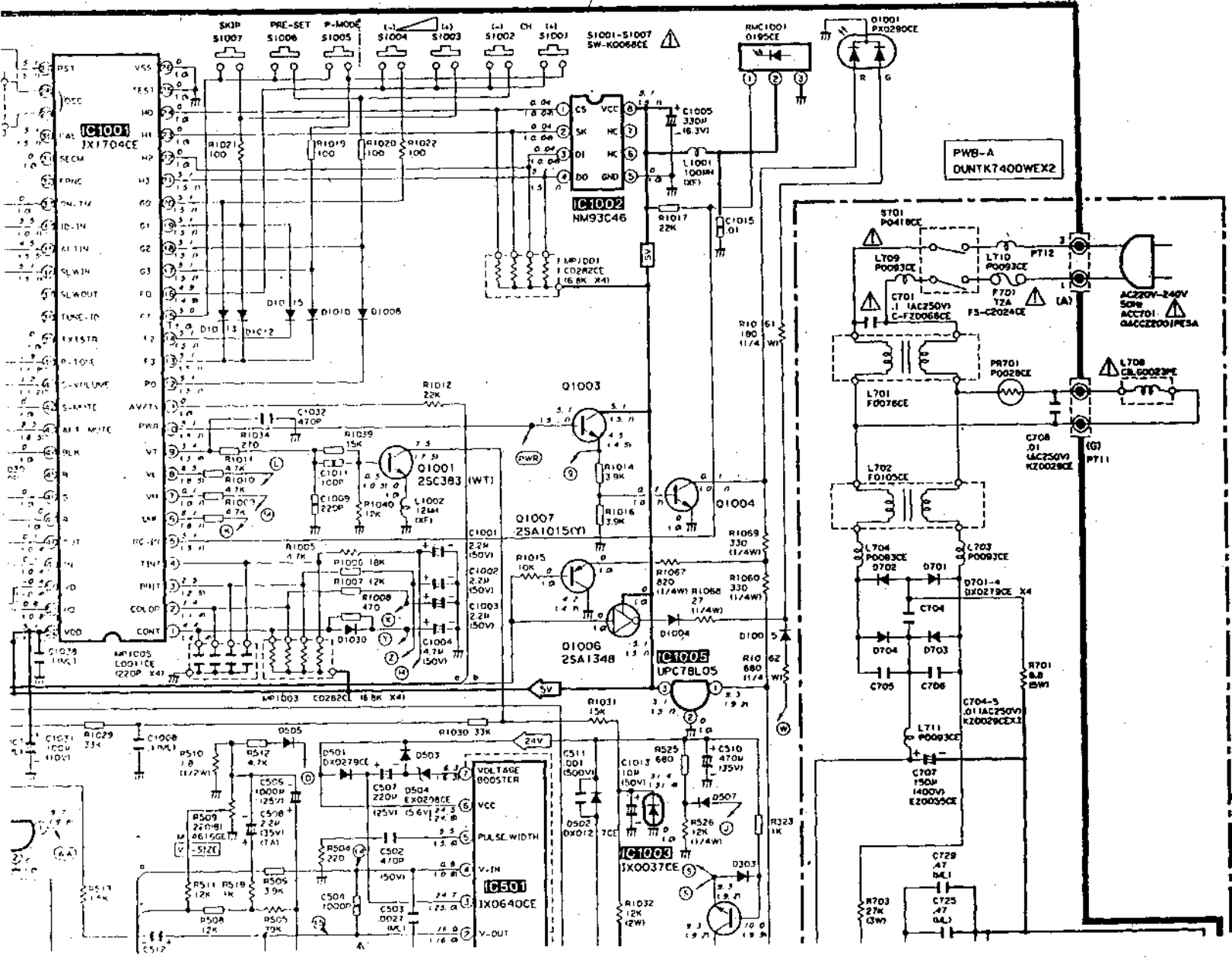
**AV-UNIT
DUNTK7398WEV0**



SIF-CONVERTER DUNTK7078WEVO







IC1001
IX170ACE

IC1002
NM93C46

PWB-A
DUNK7400WEX2

Q1001
25C383

Q1003

Q1007
2SA1015(Y)

Q1006
2SA1348

IC1005
UPC78L05

IC1008
IX0037CE

IC501
IX0640CE

ST01
PQ418CE

L709
PQ083CE

C701
1AC250V
C-FZ0668CE

L701
PQ078CE

L702
FD103CE

L704
PQ083CE

L703
PQ083CE

L711
PQ093CE

C704-5
011AC250V
K20029CEX3

C707
150V
1400V
E20059CE

C708
01
1AC250V
K20029CE

C709
47
MFL

C725
47
MFL

C729
47
MFL

R703
33W

R701
8.2
5W

L710
PQ093CE

F7D1
TZA

PR701
PQ028CE

C704
1AC250V
K20029CE

C705
1AC250V
K20029CE

D701
1AC250V
K20029CE

D702
1AC250V
K20029CE

D703
1AC250V
K20029CE

D704
1AC250V
K20029CE

D705
1AC250V
K20029CE

D706
1AC250V
K20029CE

D707
1AC250V
K20029CE

D708
1AC250V
K20029CE

D709
1AC250V
K20029CE

D710
1AC250V
K20029CE

D711
1AC250V
K20029CE

D712
1AC250V
K20029CE

D713
1AC250V
K20029CE

D714
1AC250V
K20029CE

D715
1AC250V
K20029CE

D716
1AC250V
K20029CE

D717
1AC250V
K20029CE

D718
1AC250V
K20029CE

D719
1AC250V
K20029CE

D720
1AC250V
K20029CE

D721
1AC250V
K20029CE

D722
1AC250V
K20029CE

D723
1AC250V
K20029CE

D724
1AC250V
K20029CE

D725
1AC250V
K20029CE

D726
1AC250V
K20029CE

D727
1AC250V
K20029CE

D728
1AC250V
K20029CE

D729
1AC250V
K20029CE

D730
1AC250V
K20029CE

D731
1AC250V
K20029CE

D732
1AC250V
K20029CE

D733
1AC250V
K20029CE

D734
1AC250V
K20029CE

D735
1AC250V
K20029CE

D736
1AC250V
K20029CE

D737
1AC250V
K20029CE

D738
1AC250V
K20029CE

D739
1AC250V
K20029CE

D740
1AC250V
K20029CE

D741
1AC250V
K20029CE

D742
1AC250V
K20029CE

D743
1AC250V
K20029CE

D744
1AC250V
K20029CE

D745
1AC250V
K20029CE

D746
1AC250V
K20029CE

D747
1AC250V
K20029CE

D748
1AC250V
K20029CE

D749
1AC250V
K20029CE

D750
1AC250V
K20029CE

D751
1AC250V
K20029CE

D752
1AC250V
K20029CE

D753
1AC250V
K20029CE

D754
1AC250V
K20029CE

D755
1AC250V
K20029CE

D756
1AC250V
K20029CE

D757
1AC250V
K20029CE

D758
1AC250V
K20029CE

D759
1AC250V
K20029CE

D760
1AC250V
K20029CE

D761
1AC250V
K20029CE

D762
1AC250V
K20029CE

D763
1AC250V
K20029CE

D764
1AC250V
K20029CE

D765
1AC250V
K20029CE

D766
1AC250V
K20029CE

D767
1AC250V
K20029CE

D768
1AC250V
K20029CE

D769
1AC250V
K20029CE

D770
1AC250V
K20029CE

D771
1AC250V
K20029CE

D772
1AC250V
K20029CE

D773
1AC250V
K20029CE

D774
1AC250V
K20029CE

D775
1AC250V
K20029CE

D776
1AC250V
K20029CE

D777
1AC250V
K20029CE

D778
1AC250V
K20029CE

D779
1AC250V
K20029CE

D780
1AC250V
K20029CE

D781
1AC250V
K20029CE

D782
1AC250V
K20029CE

D783
1AC250V
K20029CE

D784
1AC250V
K20029CE

D785
1AC250V
K20029CE

D786
1AC250V
K20029CE

D787
1AC250V
K20029CE

D788
1AC250V
K20029CE

D789
1AC250V
K20029CE

D790
1AC250V
K20029CE

D791
1AC250V
K20029CE

D792
1AC250V
K20029CE

D793
1AC250V
K20029CE

D794
1AC250V
K20029CE

D795
1AC250V
K20029CE

D796
1AC250V
K20029CE

D797
1AC250V
K20029CE

D798
1AC250V
K20029CE

D799
1AC250V
K20029CE

D800
1AC250V
K20029CE

D801
1AC250V
K20029CE

D802
1AC250V
K20029CE

D803
1AC250V
K20029CE

D804
1AC250V
K20029CE

D805
1AC250V
K20029CE

D806
1AC250V
K20029CE

D807
1AC250V
K20029CE

D808
1AC250V
K20029CE

D809
1AC250V
K20029CE

D810
1AC250V
K20029CE

D811
1AC250V
K20029CE

D812
1AC250V
K20029CE

D813
1AC250V
K20029CE

D814
1AC250V
K20029CE

D815
1AC250V
K20029CE

D816
1AC250V
K20029CE

D817
1AC250V
K20029CE

D818
1AC250V
K20029CE

D819
1AC250V
K20029CE

D820
1AC250V
K20029CE

D821
1AC250V
K20029CE

D822
1AC250V
K20029CE

D823
1AC250V
K20029CE

D824
1AC250V
K20029CE

D825
1AC250V
K20029CE

D826
1AC250V
K20029CE

D827
1AC250V
K20029CE

D828
1AC250V
K20029CE

D829
1AC250V
K20029CE

D830
1AC250V
K20029CE

D831
1AC250V
K20029CE

D832
1AC250V
K20029CE

D833
1AC250V
K20029CE

D834
1AC250V
K20029CE

D835
1AC250V
K20029CE

D836
1AC250V
K20029CE

D837
1AC250V
K20029CE

D838
1AC250V
K20029CE

D839
1AC250V
K20029CE

D840
1AC250V
K20029CE

D841
1AC250V
K20029CE

D842
1AC250V
K20029CE

D843
1AC250V
K20029CE

D844
1AC250V
K20029CE

D845
1AC250V
K20029CE

D846
1AC250V
K20029CE

D847
1AC250V
K20029CE

D848
1AC250V
K20029CE

D849
1AC250V
K20029CE

D850
1AC250V
K20029CE

D851
1AC250V
K20029CE

D852
1AC250V
K20029CE

D853
1AC250V
K20029CE

D854
1AC250V
K20029CE

D855
1AC250V
K20029CE

D856
1AC250V
K20029CE

D857
1AC250V
K20029CE

D858
1AC250V
K20029CE

D859
1AC250V
K20029CE

D860
1AC250V
K20029CE

D861
1AC250V
K20029CE

D862
1AC250V
K20029CE

D863
1AC250V
K20029CE

D864
1AC250V
K20029CE

D865
1AC250V
K20029CE

D866
1AC250V
K20029CE

D867
1AC250V
K20029CE

D868
1AC250V
K20029CE

D869
1AC250V
K20029CE

D870
1AC250V
K20029CE

D871
1AC250V
K20029CE

D872
1AC250V
K20029CE

D873
1AC250V
K20029CE

D874
1AC250V
K20029CE

D875
1AC250V
K20029CE

D876
1AC250V
K20029CE

D877
1AC250V
K20029CE

D878
1AC250V
K20029CE

D879
1AC250V
K20029CE

D880
1AC250V
K20029CE

D881
1AC250V
K20029CE

D882
1AC250V
K20029CE

D883
1AC250V
K20029CE

D884
1AC250V
K20029CE

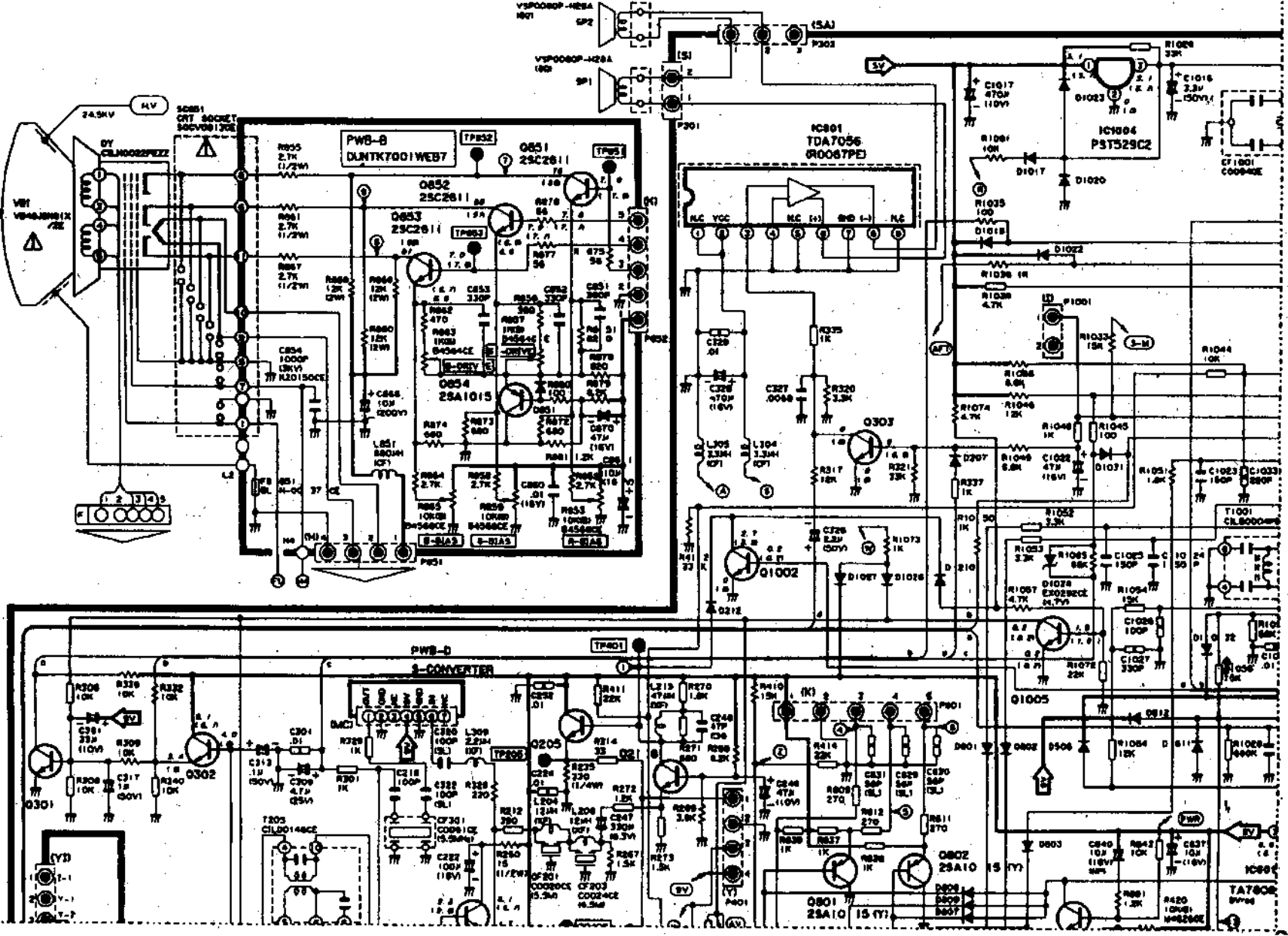
D885
1AC250V
K20029CE

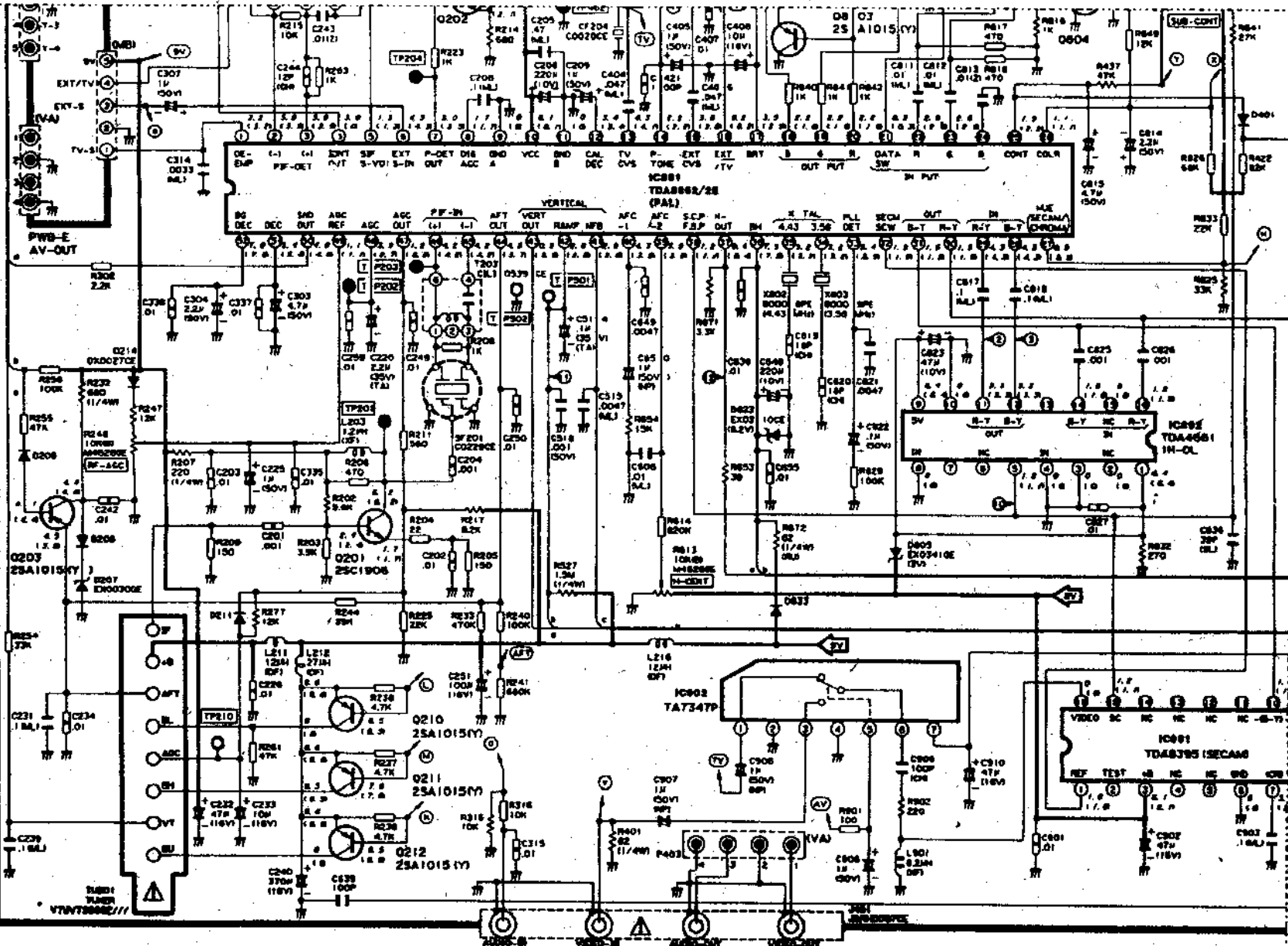
D886
1AC250V
K20029CE

D887
1AC250V
K20029CE

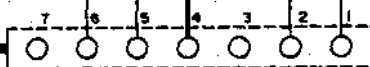
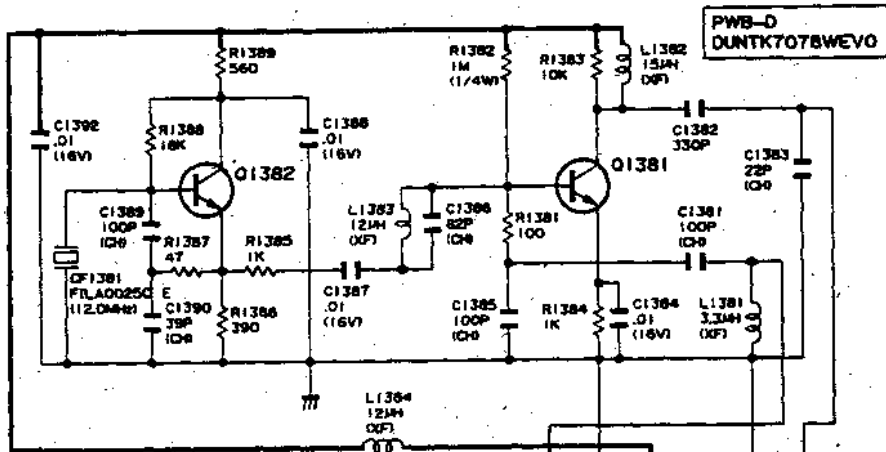
D888
1AC250V
K20029CE

D889
1AC250V
K20029CE





SIF-CONVERTER DUNTK7078WEVO



7	6	5	4	3	2	1
NC	SIF INPUT	GND	VCC	NC	GND	5.5/6.3M OUTPUT

AV-UNIT DUNTK7396WEV0

