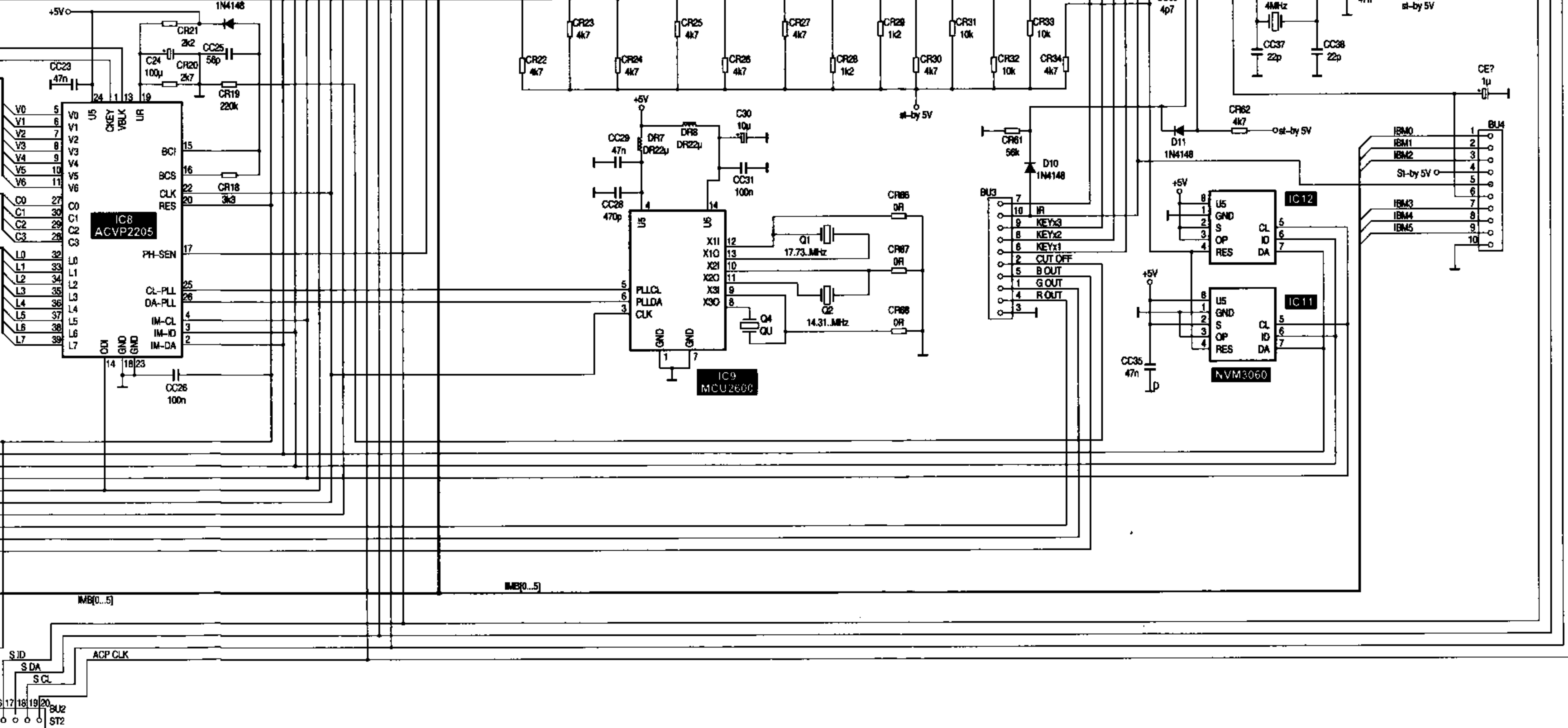
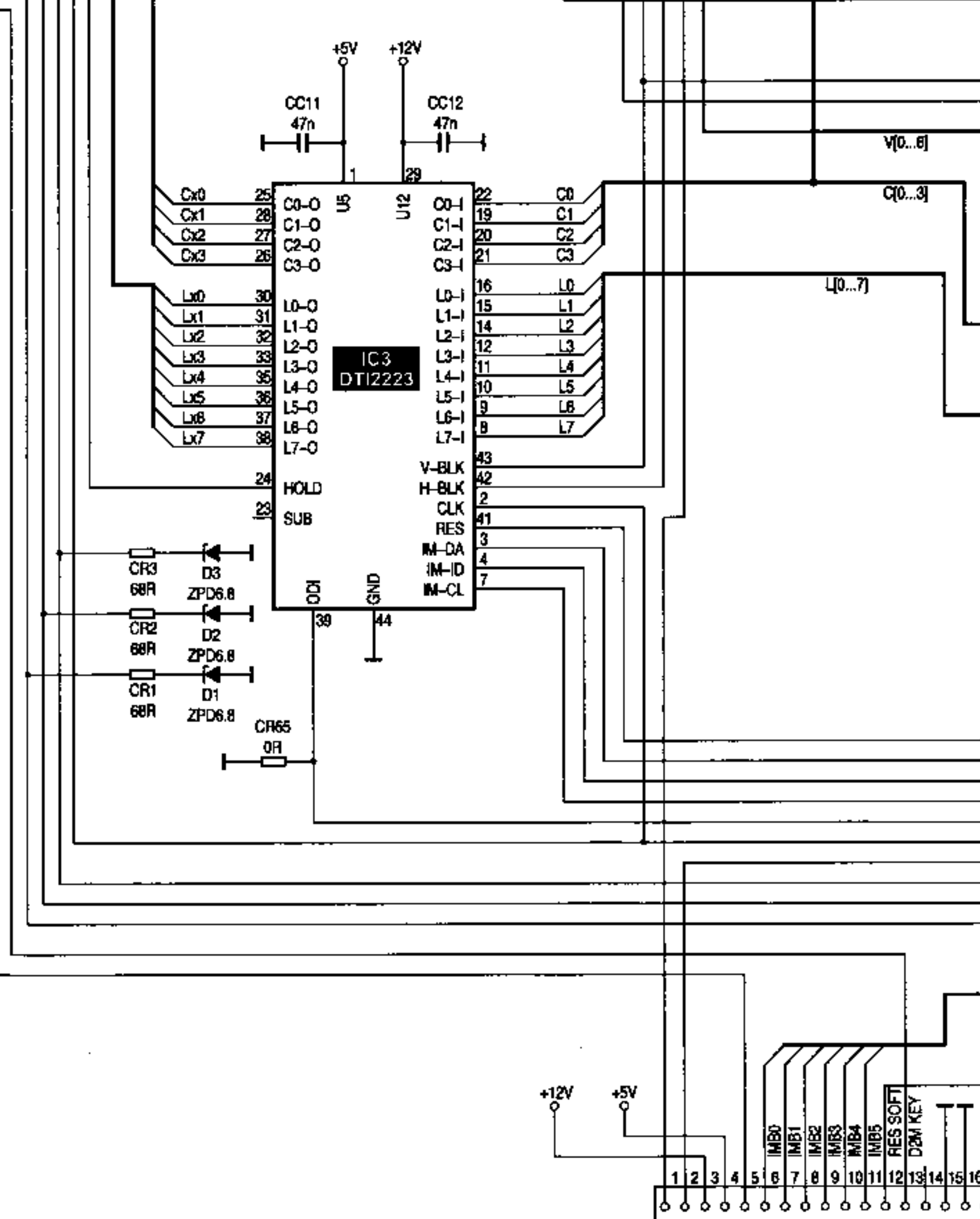
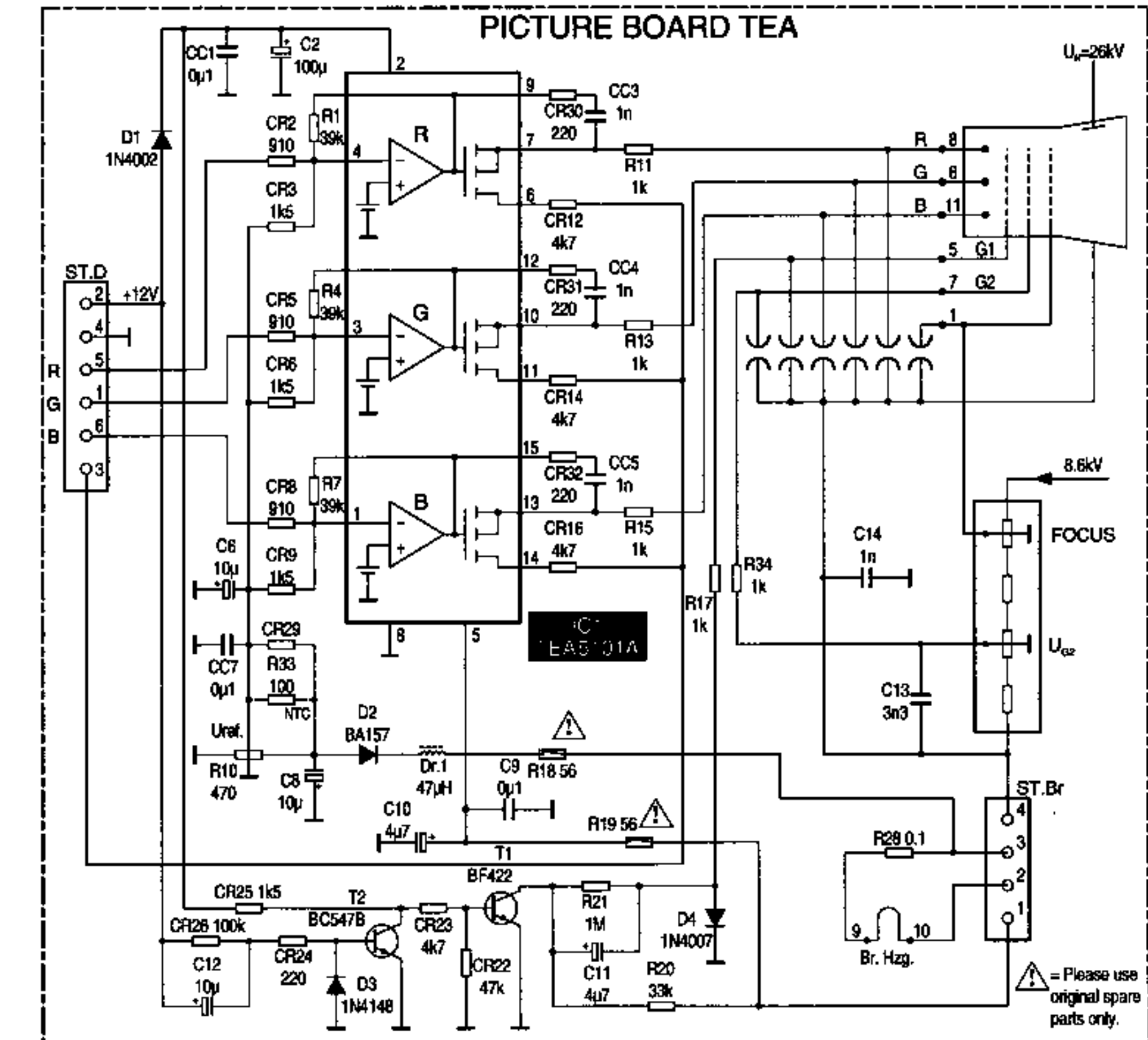
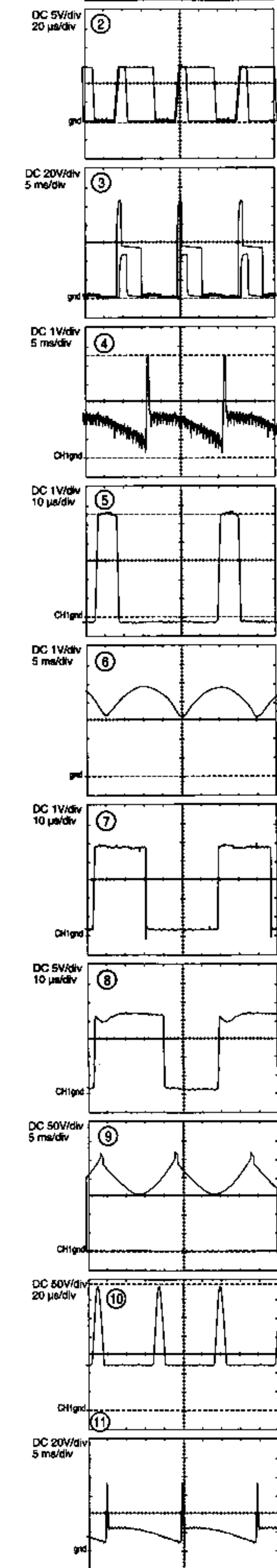
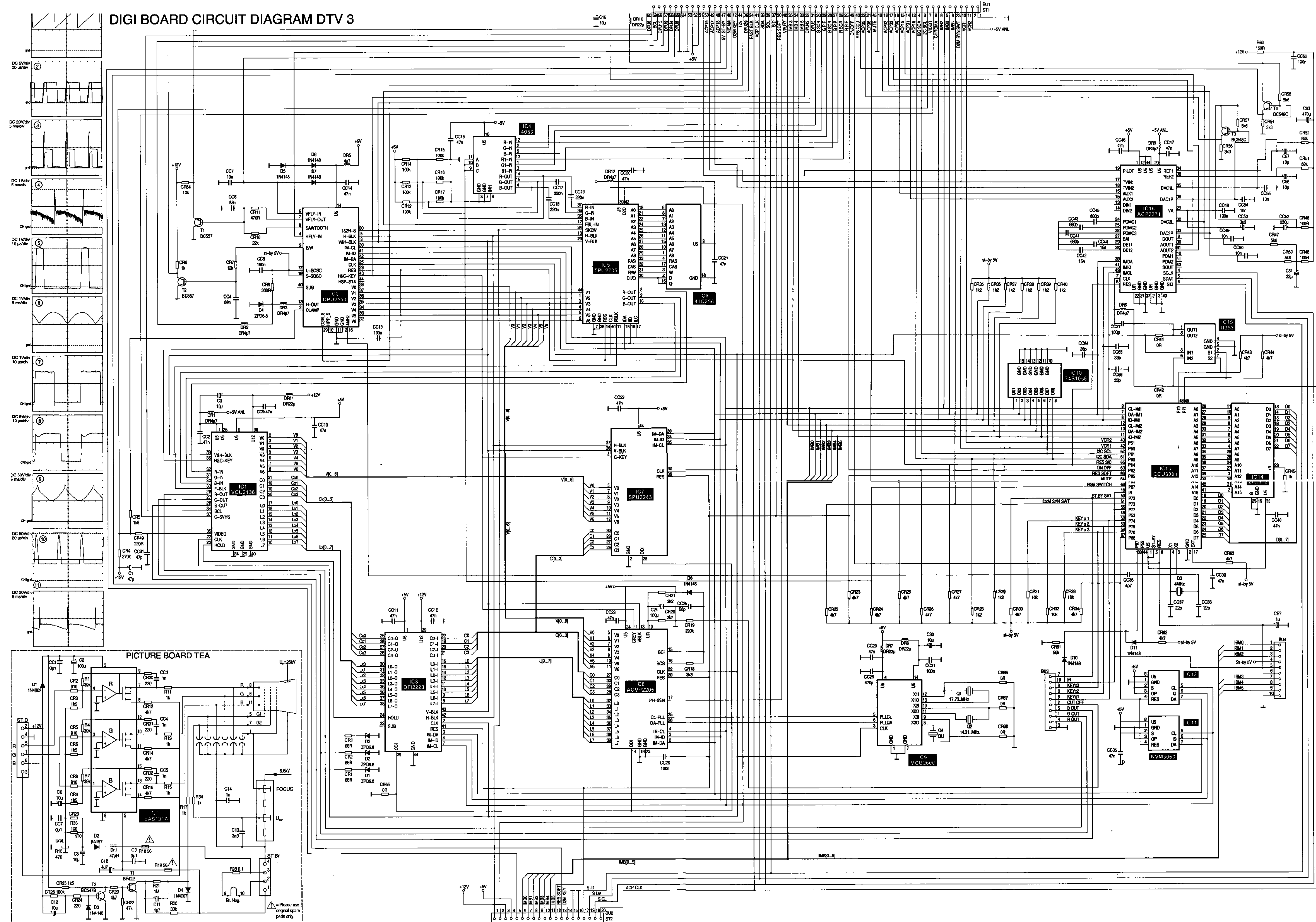


# DIGI BOARD CIRCUIT DIAGRAM DTV 3

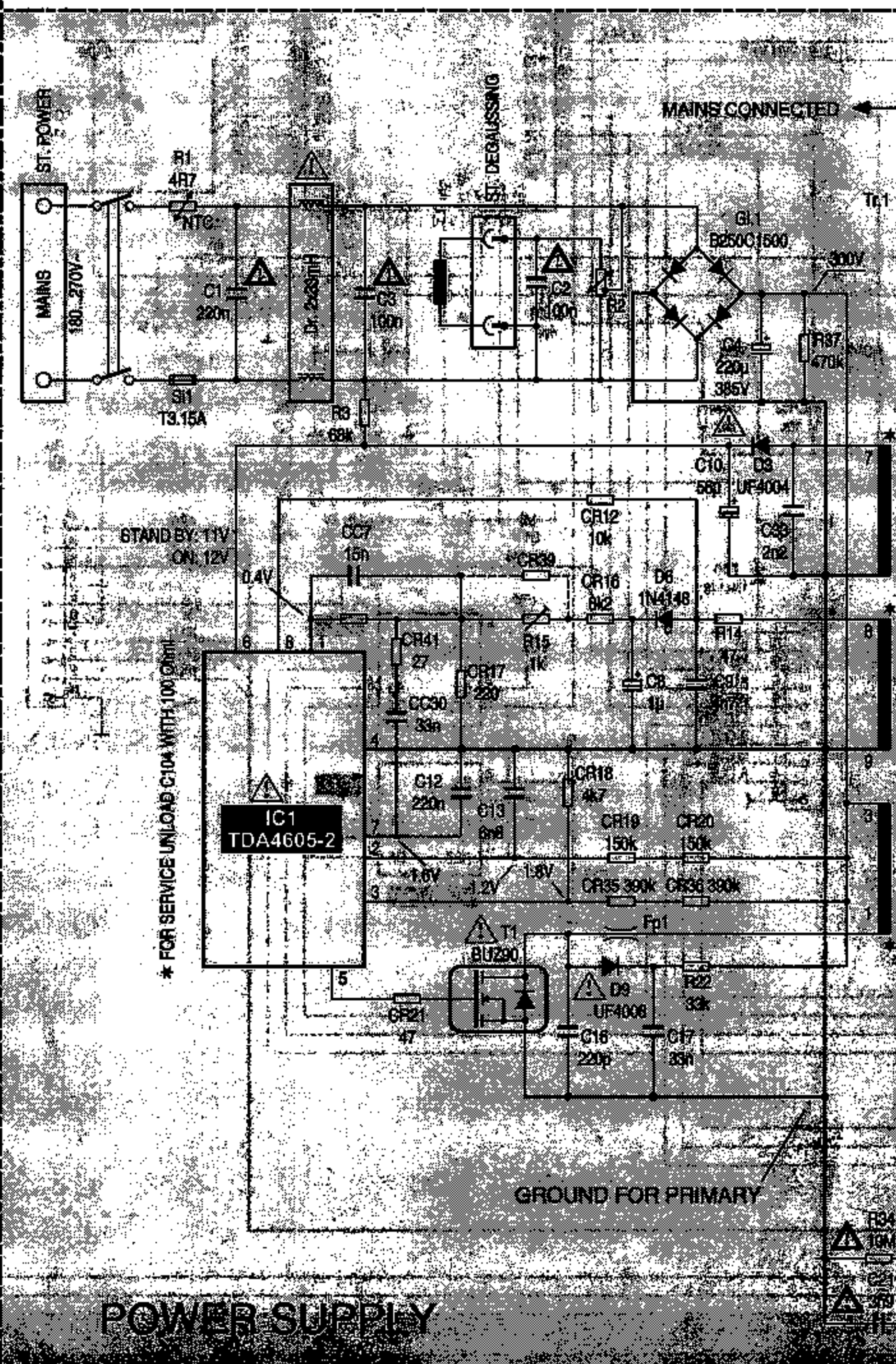
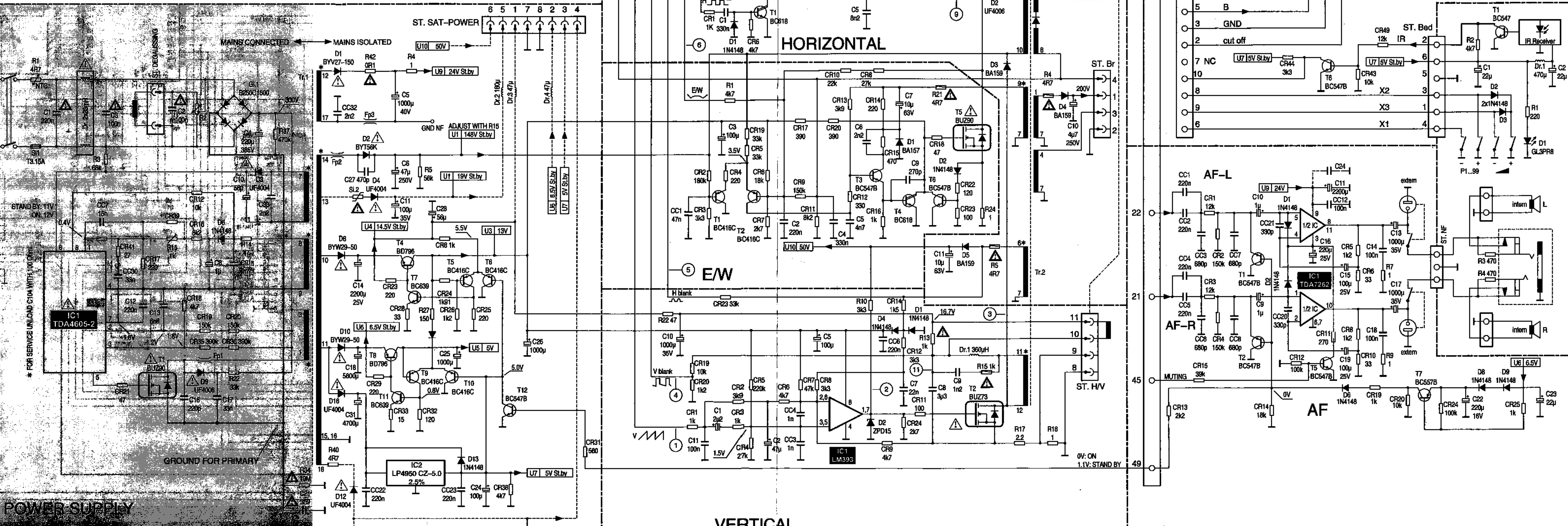
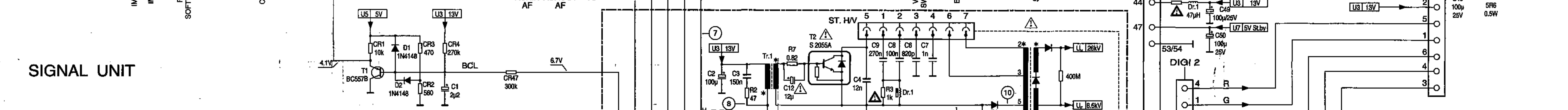
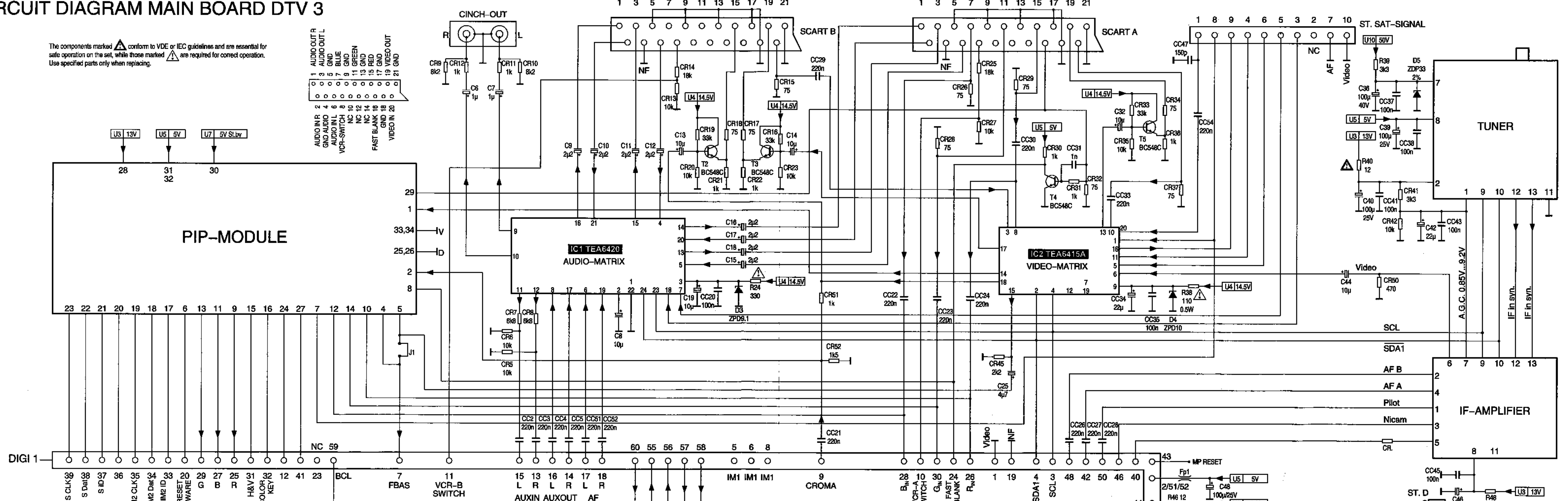


Please use original spare parts only.

# CIRCUIT DIAGRAM MAIN BOARD DTV 3

The components marked  $\Delta$  conform to VDE or IEC guidelines and are essential for safe operation on the set, while those marked  $\nabla$  are required for correct operation. Use specified parts only when replacing.

- 1 AUDIO IN R
- 2 AUDIO IN L
- 3 GND
- 4 AUDIO OUT R
- 5 AUDIO OUT L
- 6 GND
- 7 BLUE
- 8 GREEN
- 9 VCR-SWITCH
- 10 NC
- 11 GND
- 12 RED
- 13 GND
- 14 NC
- 15 FAST BLANK
- 16 GND
- 17 GND
- 18 GND
- 19 GND
- 20 VIDEO IN
- 21 GND



POWER SUPPLY

VERTICAL