

Q241	
VOLT	WAVEFORM
B 4.6V	
C 1.2V	
E 5.3V	

Q802	
VOLT	WAVEFORM
B 6.6V	
C 12V	
E 6V	

Q810	
VOLT	WAVEFORM
B 0.06V	
C 12.5V	
E 0V	

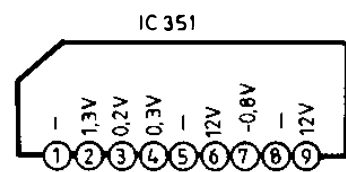
Q431	
VOLT	WAVEFORM
B 0.08V	
C 19V	
E 0V	

Q432	
VOLT	WAVEFORM
B 2.3V	
C 80V	
E 2.4V	

11. DIODE 1S1555 MAY BE REPLACED WITH 1S2473, 1S2076 OR DS442 UNLESS OTHERWISE NOTED.
 TRANSISTOR 2SC536 (E, F, G) MAY BE REPLACED WITH 2SC1740S (Q, R, S), 2SC1740 (Q, R, S), 2SC945A (Q, R, P) OR 2SC1815 (G, Q, Y) UNLESS OTHERWISE NOTED.
 TRANSISTOR 2SA608 (E, F) MAY BE REPLACED WITH 2SA933 (Q, R), 2SA564 (QA, RA) OR 2SA1015 (Q, Y) UNLESS OTHERWISE NOTED.

- 5%
- 10%
- 20%
- E, U, D..... Electrolytic
- Ceramic
- Mylar film
- Polypropylene
- Metalized paper
- Carbon
- Metalized carbon
- Oxide metalized
- Wire winding
- Solid

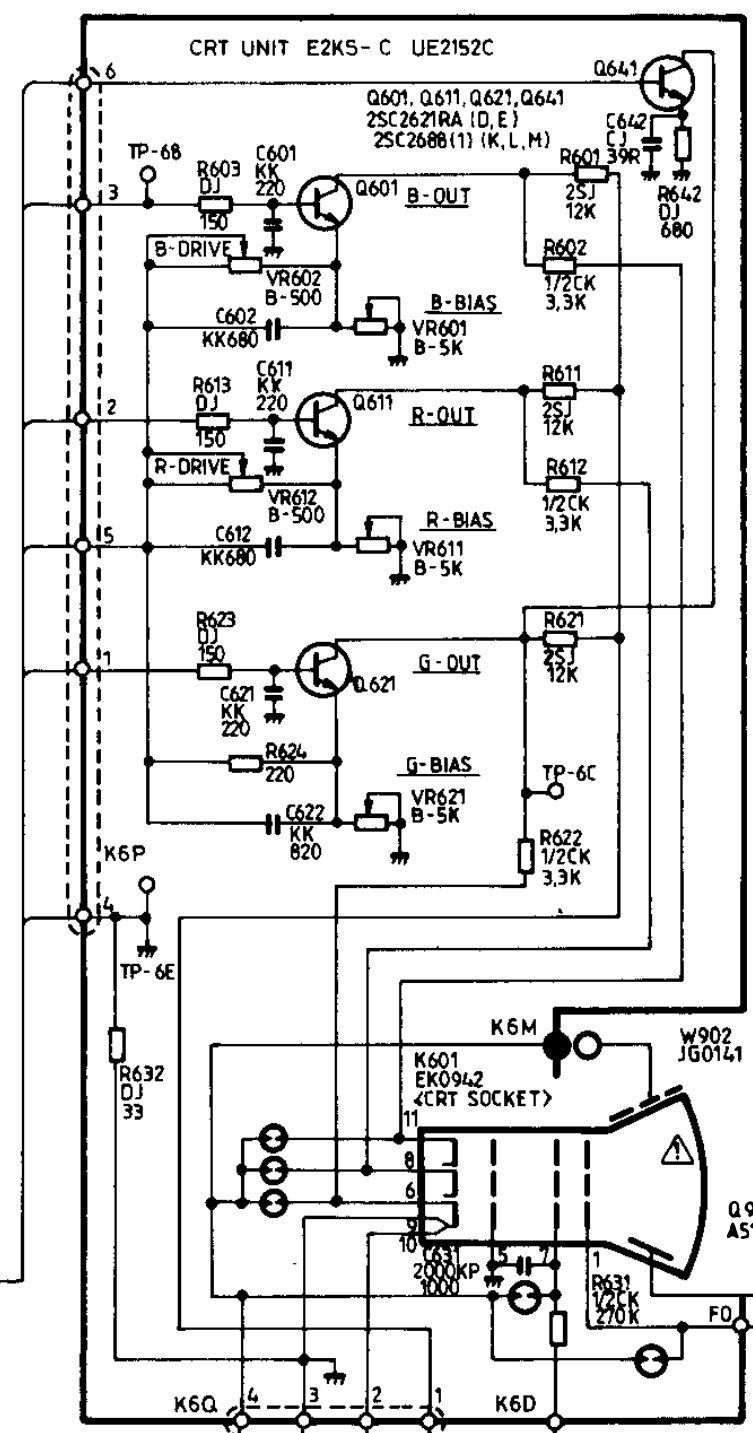
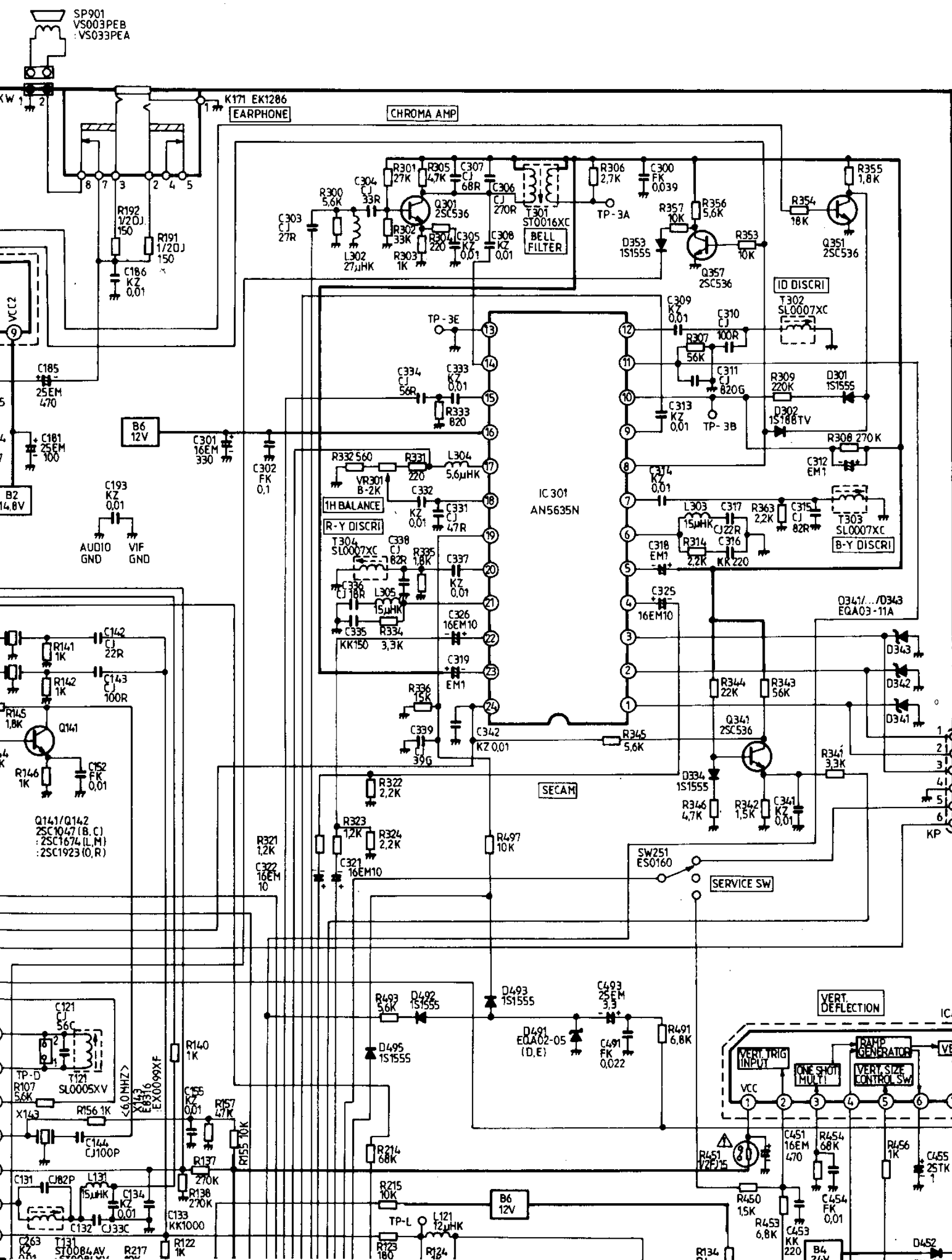
SANYO CEM2140P-00



Q301		Q341	
VOLT.		VOLT.	
B	6V	B	2.6V
C	12V	C	6.5V
E	5.5V	E	2.2V

Q351		Q357	
VOLT.		VOLT.	
B	-0.7V	B	0.7V
C	12V	C	0.08V
E	0V	E	0V

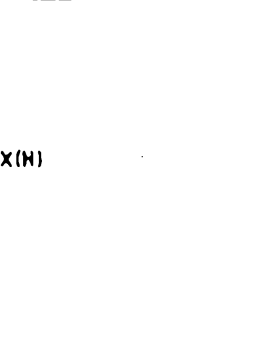
Q641	
VOLT.	
B	0V
C	100V
E	0V

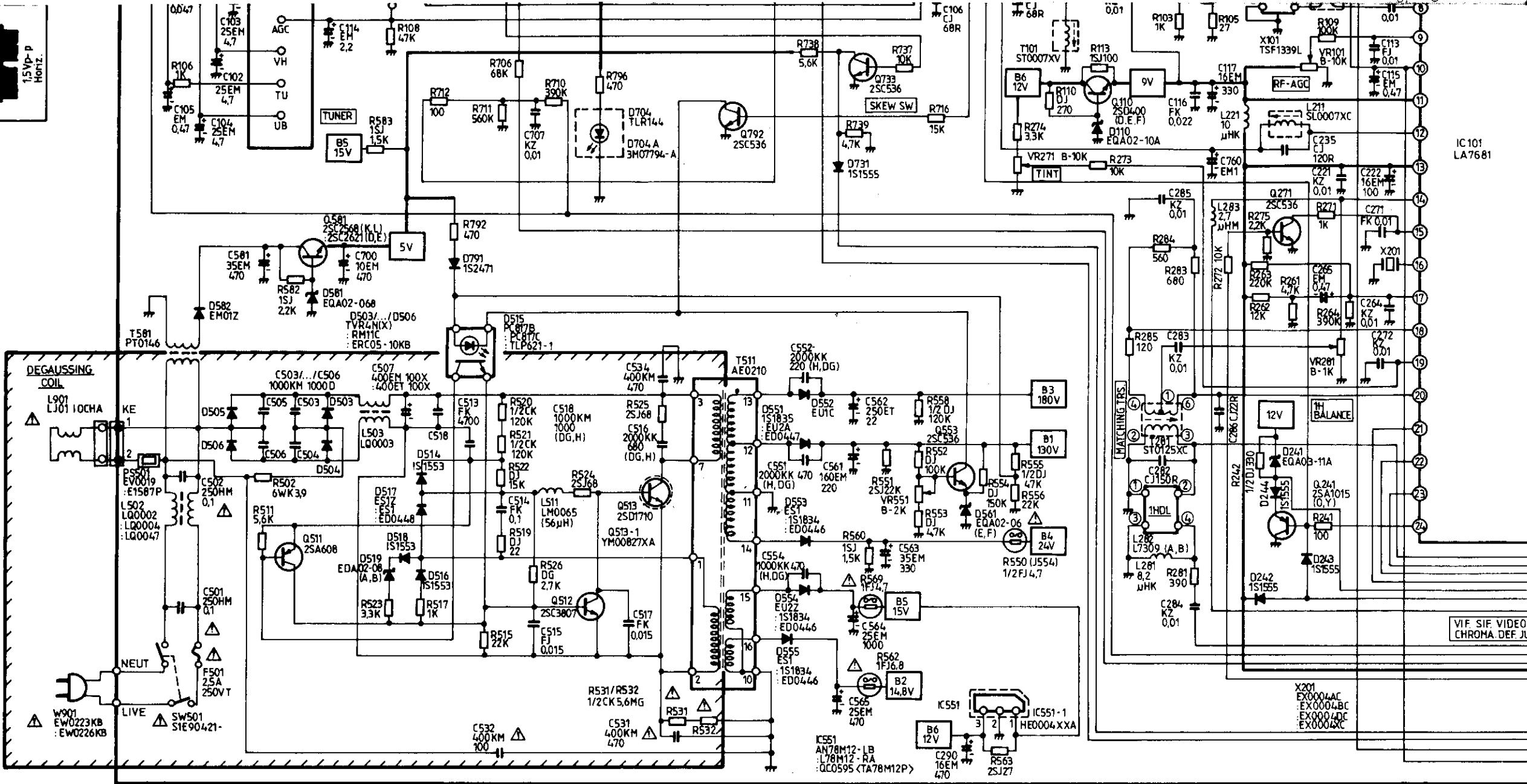
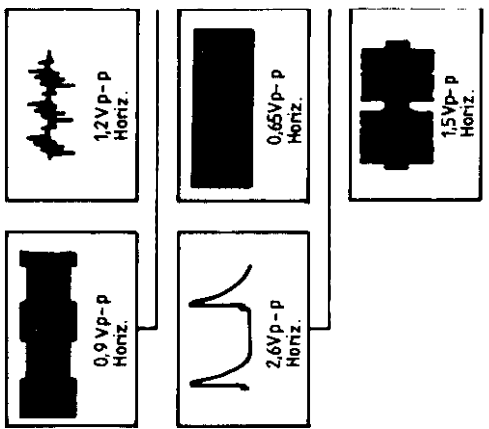


Q601		WAVEFORM
VOLT.		
B	6.6V	4.2Vp-p HORIZ
C	10.4V	100Vp-p HORIZ
E	6.4V	-----

Q611		WAVEFORM
VOLT.		
B	6.6V	4.2Vp-p HORIZ
C	10.3V	100Vp-p HORIZ
E	6.4V	-----

Q621		WAVEFORM
VOLT.		
B	6.6V	3.7Vp-p HORIZ
C	10.0V	95Vp-p HORIZ
E	6.4V	-----





Q511	
	VOLT.
B	10V
C	-0.8V
E	10.8V

SERVICE PRECAUTION:
 THE AREA ENCLOSED BY THIS LINE (---) IS DIRECTLY CONNECTED WITH AC MAINS VOLTAGE WHEN SERVICING THE AREA, CONNECT AN ISOLATING TRANSFORMER BETWEEN TV RECEIVER AND AC LINE TO ELIMINATE HAZARD OF ELECTRIC SHOCK.

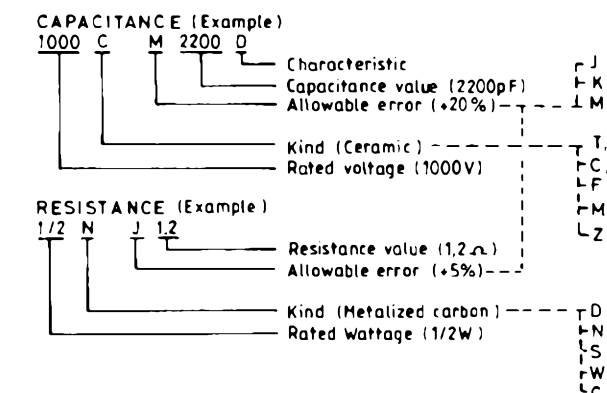
Q512		Q513	
	VOLT.		WAVEFORM
B	-2.7V	B	-1.5V
C	-1.5V	C	280V
E	0V	E	0V

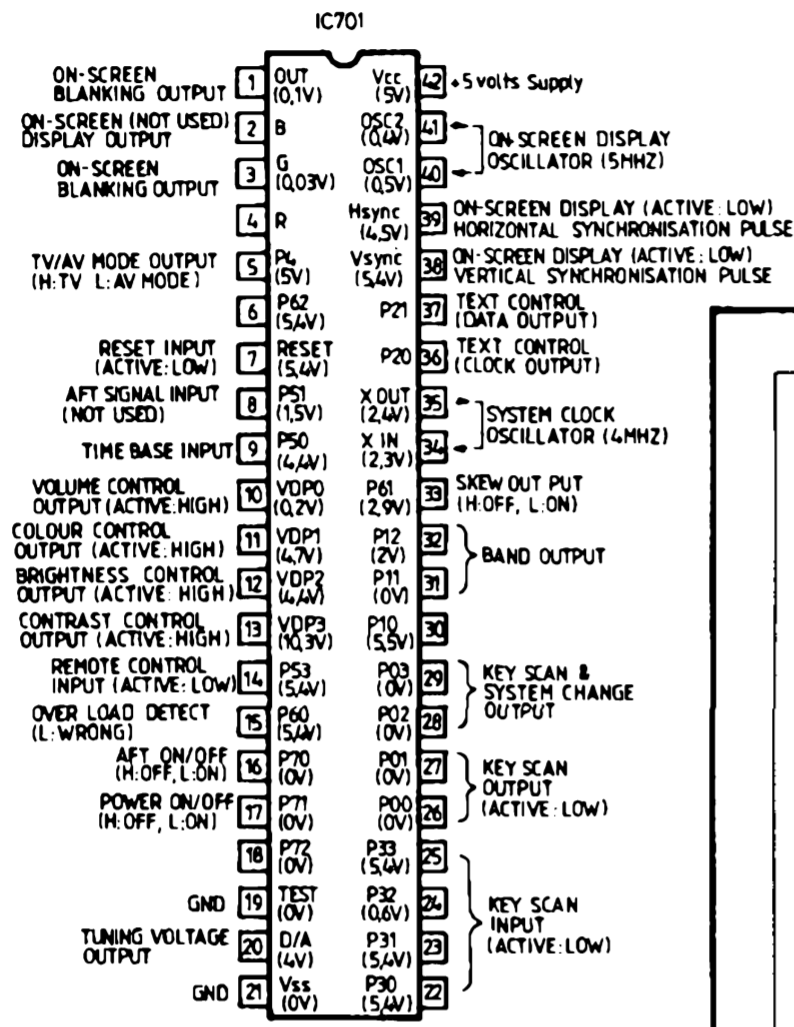
Q551		Q552		Q553		Q110		Q101	
	VOLT.		VOLT.		VOLT.		VOLT.		VOLT.
B	23.5V	B	0.7V	B	7V	B	10V	B	1.2V
C	24V	C	0.1V	C	4.0V	C	12V	C	0.4V
E	24V	E	0V	E	6.5V	E	9V	E	4.2V

CIRCUIT DIAGRAM NOTES:

- ALL RESISTANCE VALUES ARE IN OHMS, K=1 000, M=1 000 000.
- ALL RESISTANCE RATED WATTAGES ARE 1/4W UNLESS OTHERWISE NOTED.
- EXCEPTING ELECTROLYTIC CAPACITORS, ALL CAPACITANCE VALUES OF LESS THAN 1 ARE EXPRESSED IN UF, AND MORE THAN 1 ARE IN PF. ELECTROLYTIC CAPACITANCE VALUES ARE IN UF.
- ALL CAPACITANCE RATED VOLTAGES ARE 50V UNLESS OTHERWISE NOTED.
- ALL INDUCTANCE VALUES ARE IN UH.
- VOLTAGE READINGS TAKEN WITH A "VTVM" ARE FROM POINT INDICATED TO CHASSIS GROUND. VOLTAGE READINGS TAKEN BY USING A COLOUR BAR SIGNAL ARE WITH ALL CONTROLS AT NORMAL AND AFC SWITCH IN "OFF" POSITION. SOME VOLTAGES MAY VARY WITH SIGNAL STRENGTH.
- WAVEFORMS WERE TAKEN WITH COLOUR BAR SIGNAL AND CONTROLS ADJUSTED FOR NORMAL PICTURE. WAVEFORMS WERE TAKEN BY USING A WIDE BAND OSCILLOSCOPE AND A LOW CAPACITY PROBE.
- VOLTAGE AND WAVEFORM VALUES OF TRANSISTORS IN THE AREA ENCLOSED BY LINE (---) ARE MEASURED TO BASE THE ELECTRIC POTENTIAL AT PIN 3 OF T311.
- THIS CIRCUIT DIAGRAM COVERS A BASIC OR REPRESENTATIVE CHASSIS ONLY. THERE MAY BE SOME COMPONENTS OR PARTIAL CIRCUIT DIFFERENCES BETWEEN THE ACTUAL CHASSIS AND THE CIRCUIT DIAGRAM.

10. EXPRESSION OF CAPACITANCE AND RESISTANCE IN CIRCUIT DIAGRAM





Q701	Q721	Q731	Q732	Q733	Q741	Q742	Q751	Q785	Q792
B 0V	B 4.6V	B 0.03V	B 0.7V	B 0.7V	B 0.15V	B 0.17V	B 0.03V	B 0.5V	B 0V
C 5.4V	C 5.2V	C 7V	C 0.06V	C 0.03V	C 0.1V	C 12V	C 7.2V	C 4.6V	C 11V
E 0V	E 5.3V	E 0V	E 0V	E 0V	E 0.9V	E 12V	E 0V	E 0V	E 0V

- IC171
- 1 11.5V
 - 2 5V
 - 3 0V
 - 4 0.1V
 - 5 7V
 - 6 7.4V
 - 7 -
 - 8 7.5V
 - 9 15V

