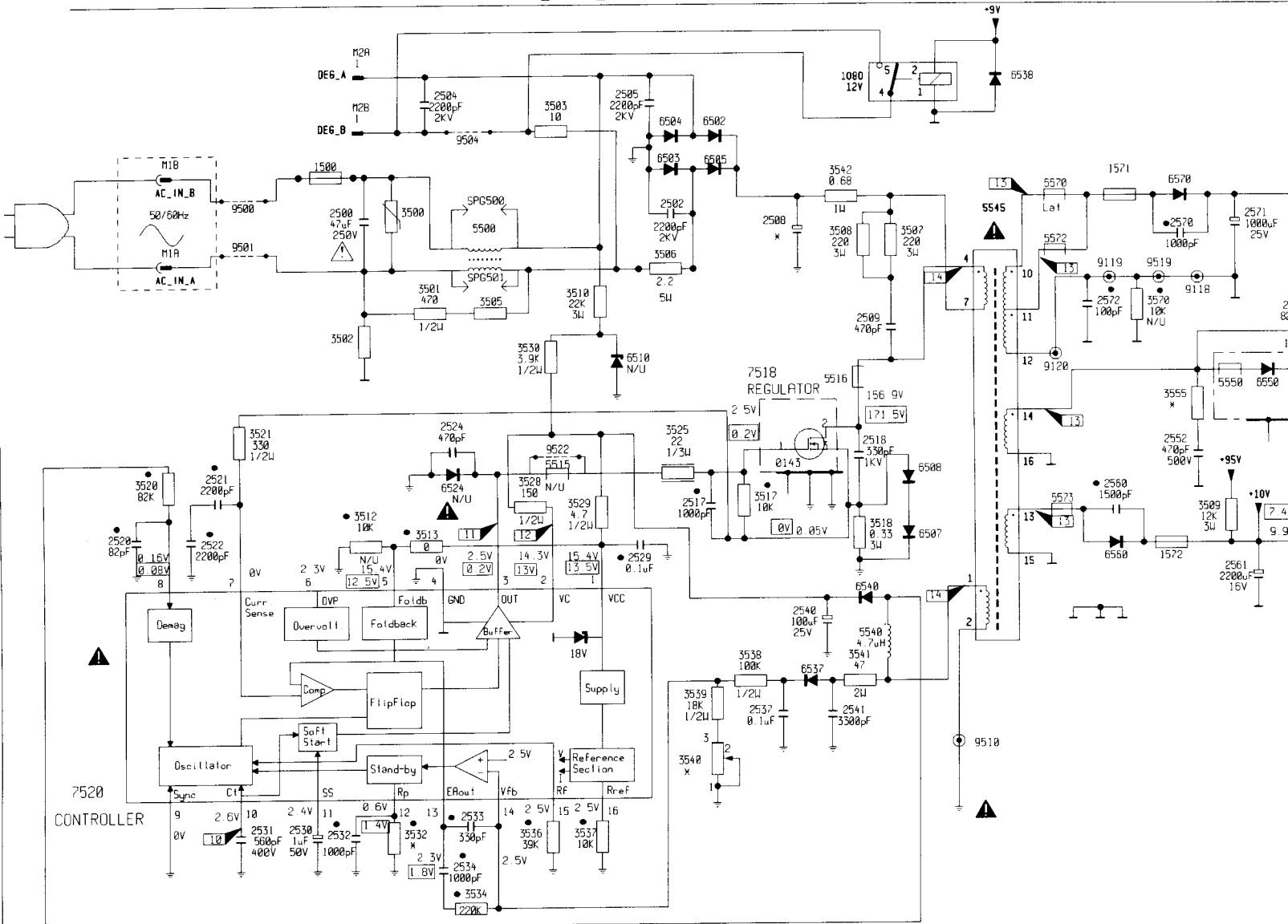
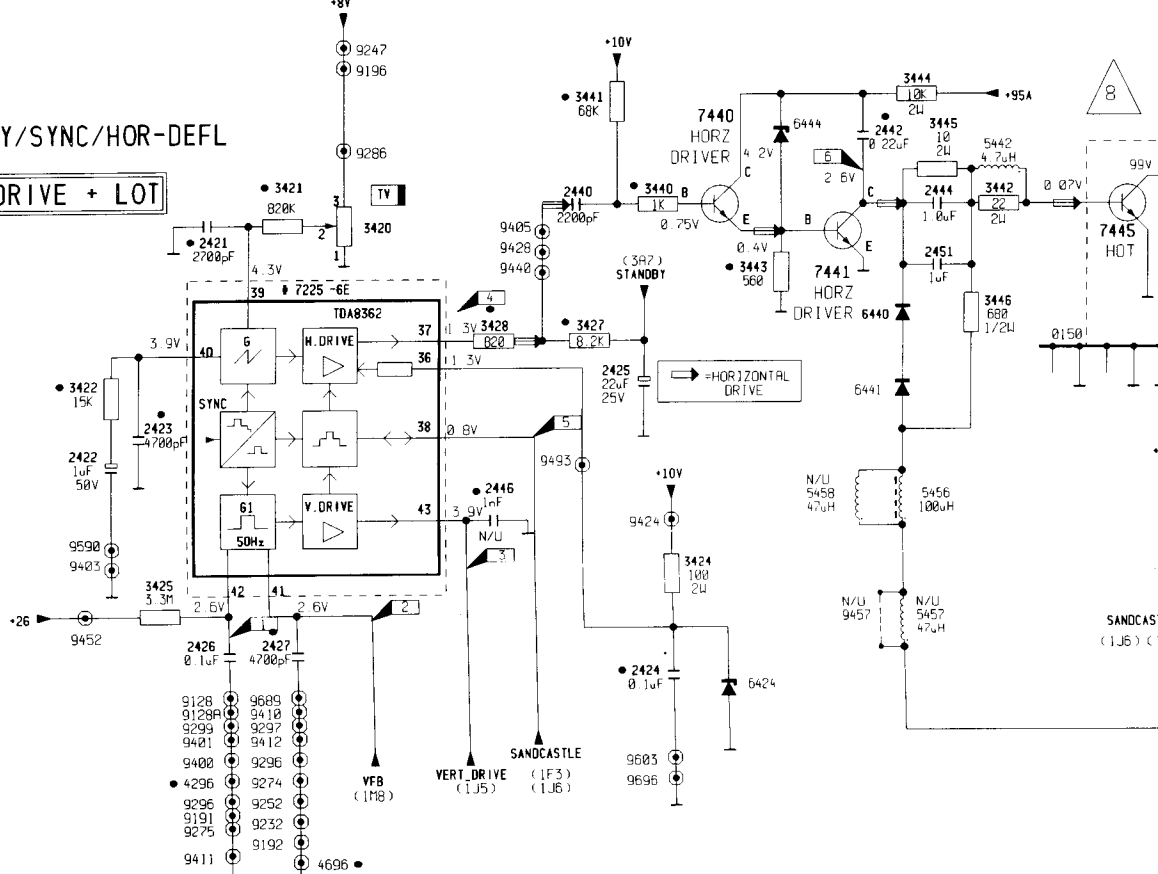


POWER-SUPPLY/SYNC/HOR-DEFL

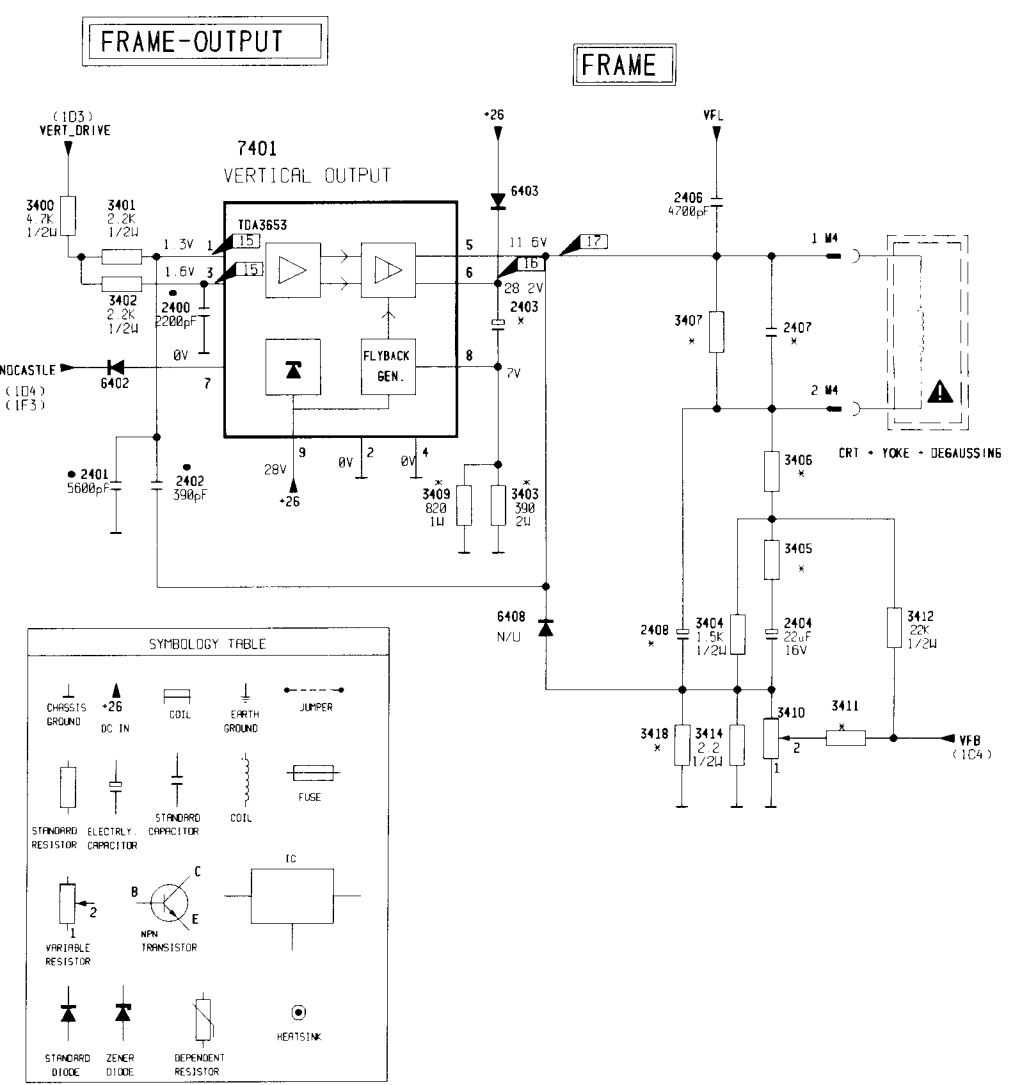
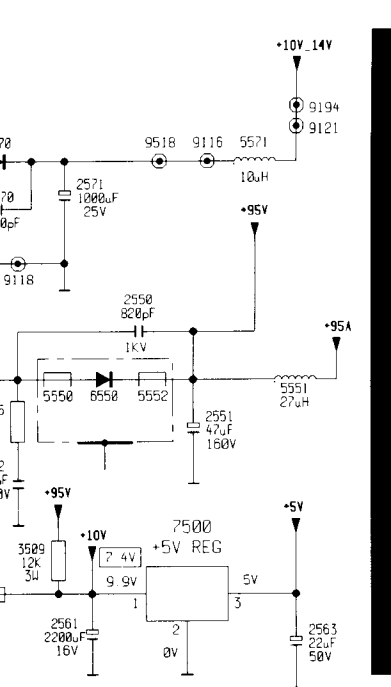
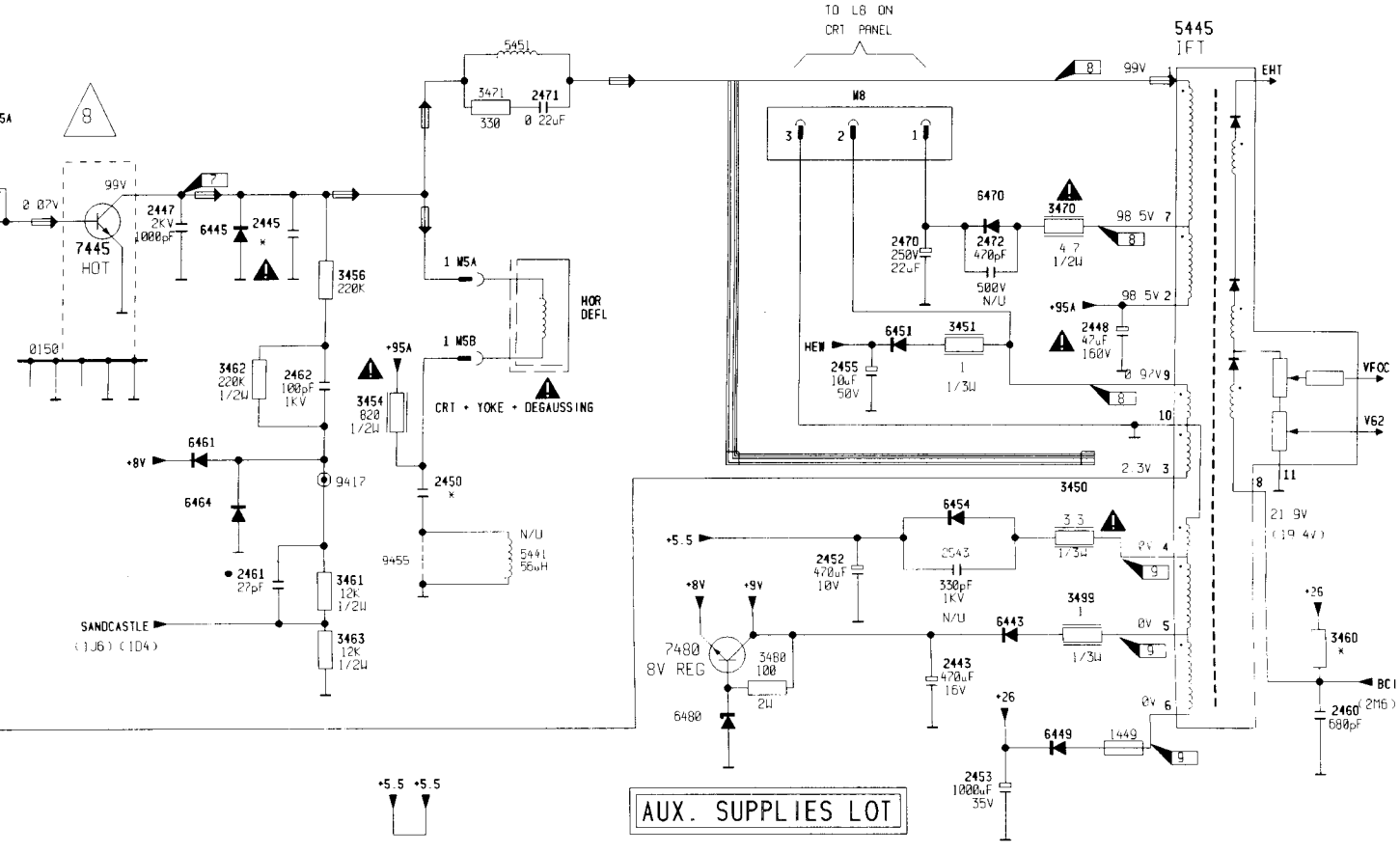
LINE DRIVE + LOT

*	14"	PAL	NTSC	PHILIP TUBE
		20"	20"	20"
3460	27K	20K	20K	20K
2460	68nF	82nF	82nF	82nF

	USA	LATAM	AMV	NON-AMV
1500			4 Amp Fuse	2 Amp Fuse
2508			220uF/400V	220uF/250V
2552			330pF/500V	470pF/500V
3503			9 / 200V	10/120VAC
3640	OUT	8.2K		
3641	OUT	8.2K		
5570	OUT	4.7uK		

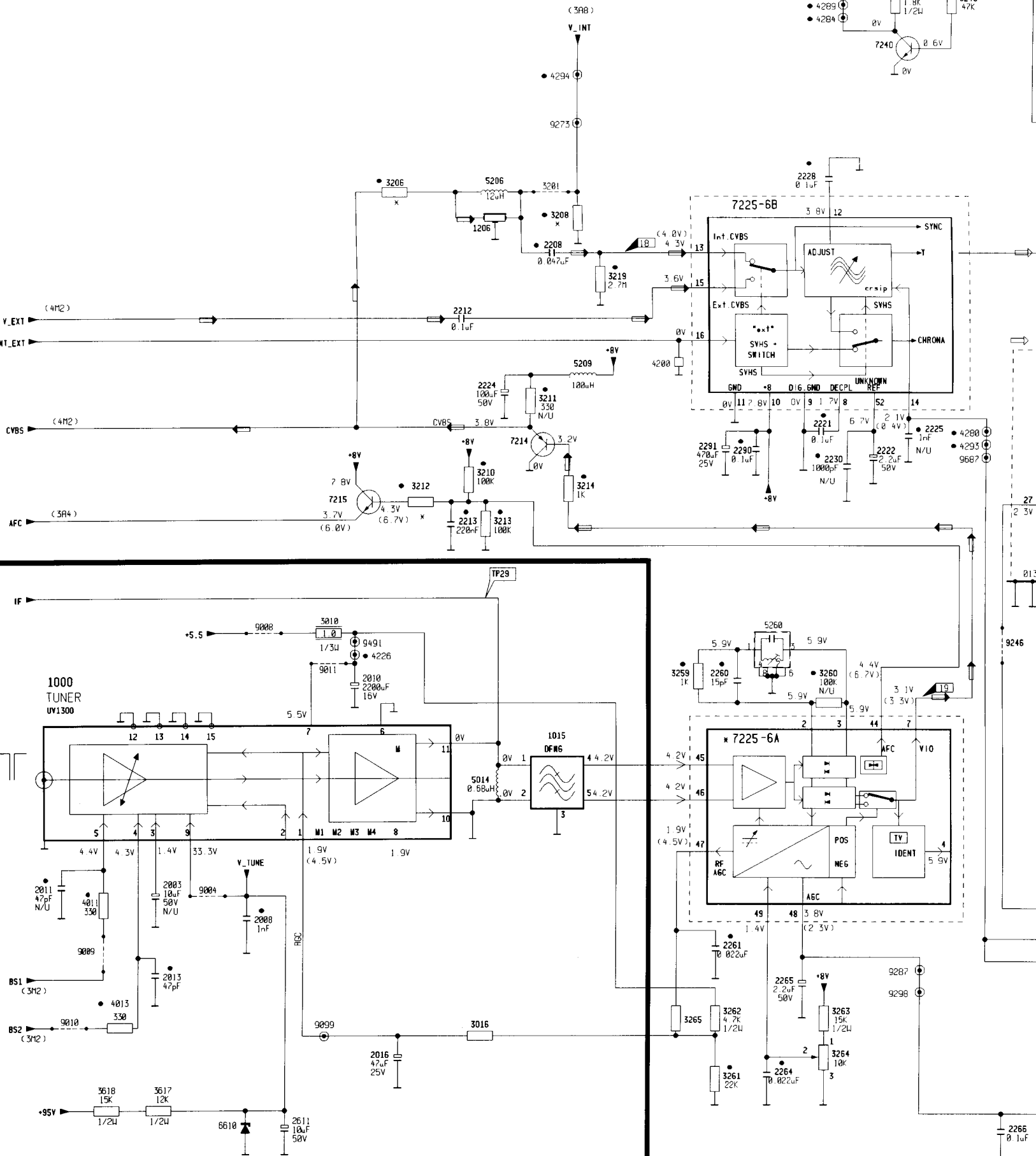


Let = LATAM



SYMBOLY TABLE			
	CHRISTS GROUND		COIL
	STANDARD RESISTOR		STANDARD CAPACITOR
	VARIABLE RESISTOR		NPN TRANSISTOR
	STANDARD DIODE		ZENER DIODE
	DEPENDENT RESISTOR		HEATSINK
	DC IN		EARTH GROUND
	JUMPER		COIL
	FUSE		IC

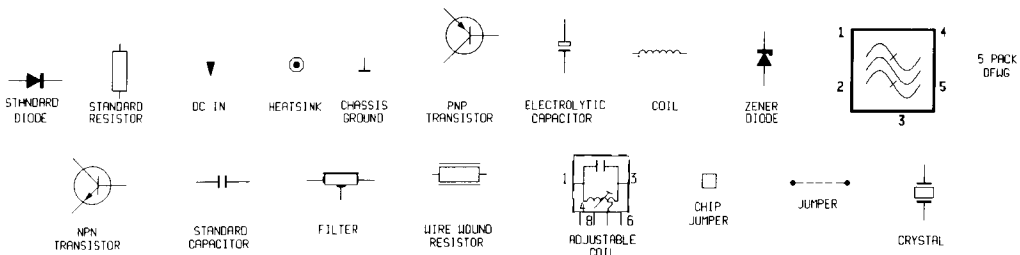
# TUNER/SAWFILTER IF VIDEO CHROMA



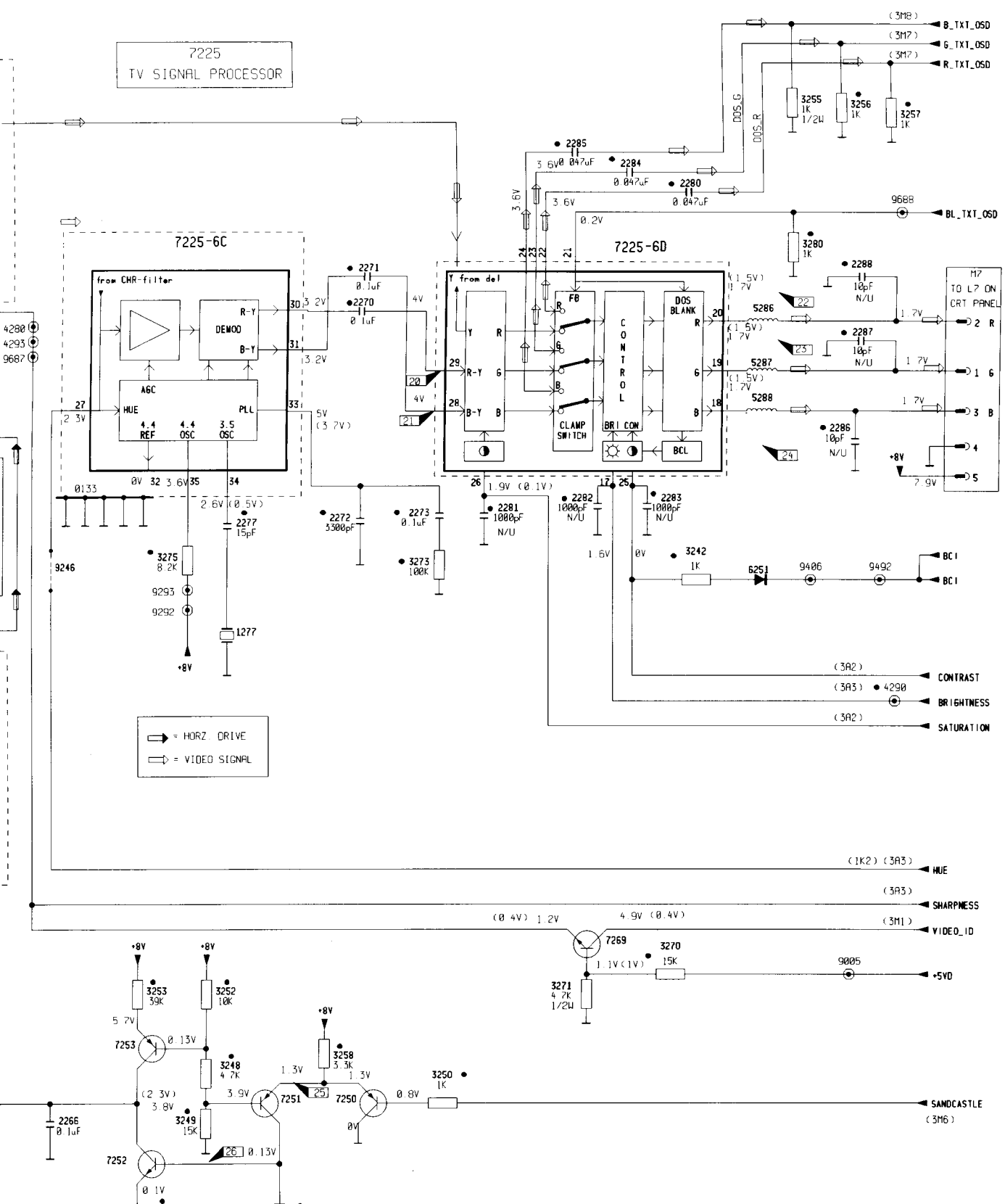
ANS-AA40 TUNER/SAW/BANDSWITCH

3240  
47K

### SYMBOLGY TABLE



### 7225 TV SIGNAL PROCESSOR



→ = HORZ DRIVE  
 - - - - - = VIDEO SIGNAL

4290  
4293  
9687

(3M2) B.TXT\_OSD  
(3M7) G.TXT\_OSD  
(3M7) R.TXT\_OSD

9688 BL.TXT\_OSD

M7 TO L7 ON CRT PANEL

2 R  
1 6  
3 B  
4  
5

(3A2) CONTRAST  
(3A3) BRIGHTNESS  
(3A2) SATURATION

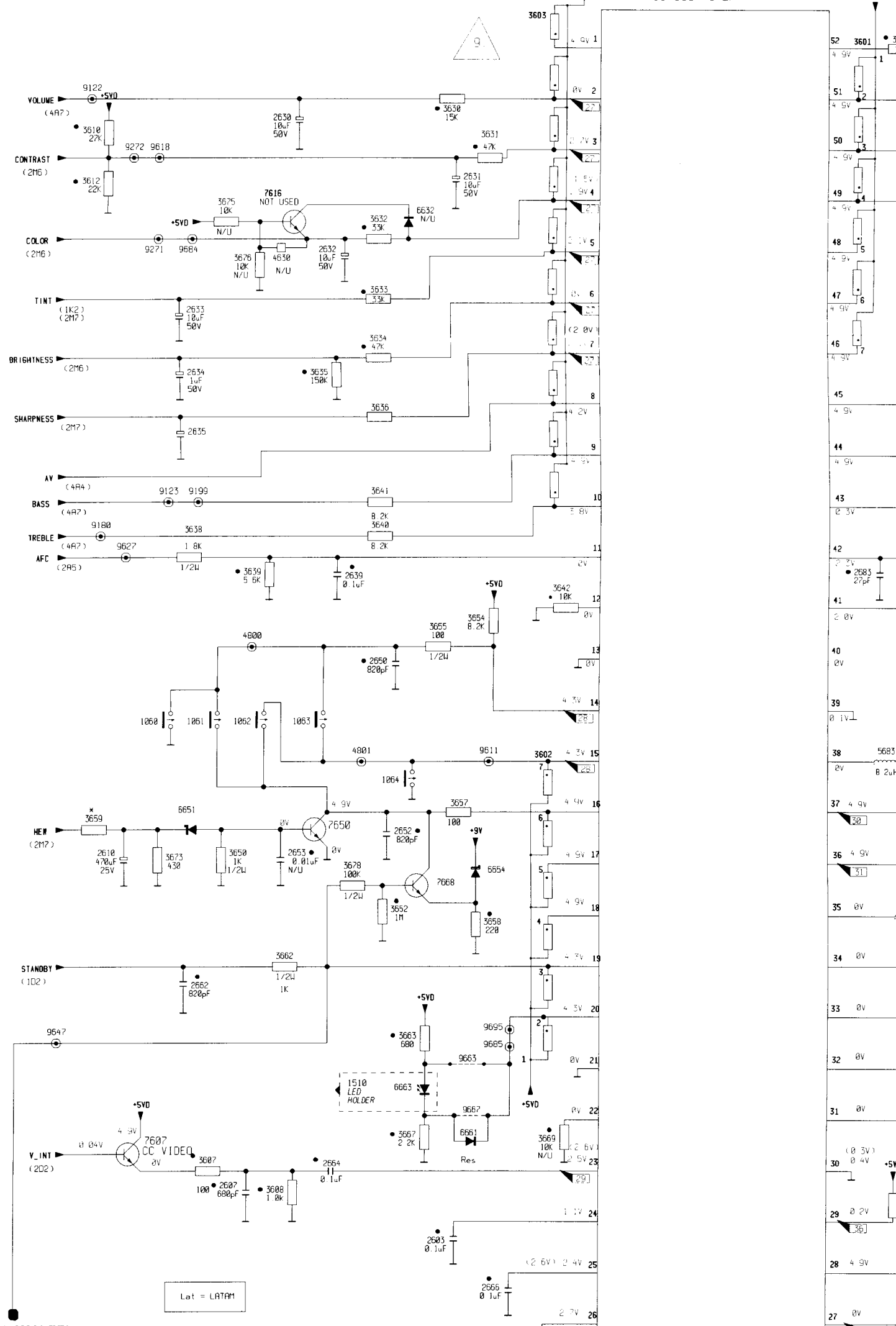
(1K2) (3A3) HUE

(3A3) SHARPNESS

(3M1) VIDEO\_ID

9005 +5V

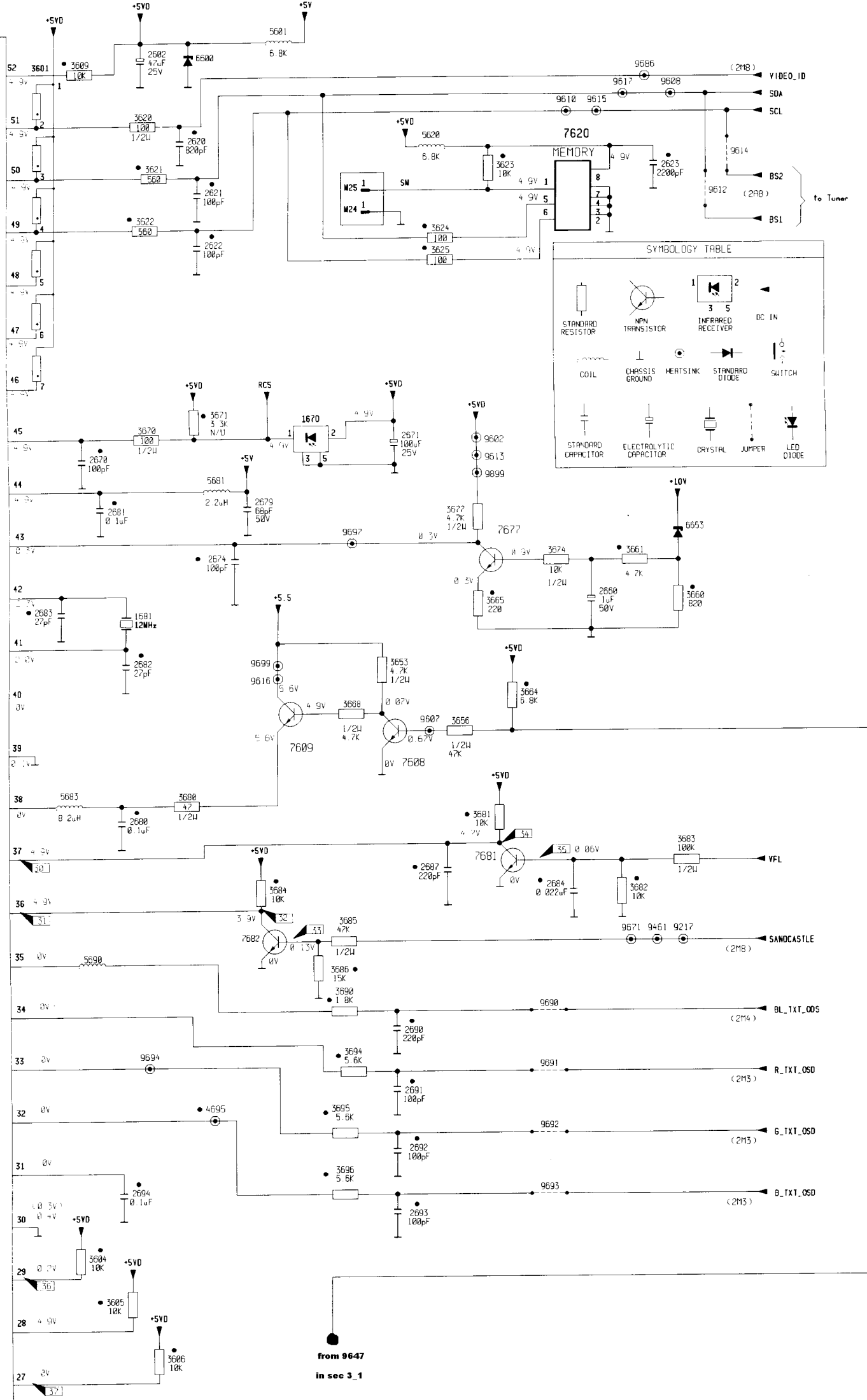
SANDCASTLE (3M6)



to 3664 (+5V) in sec3 2

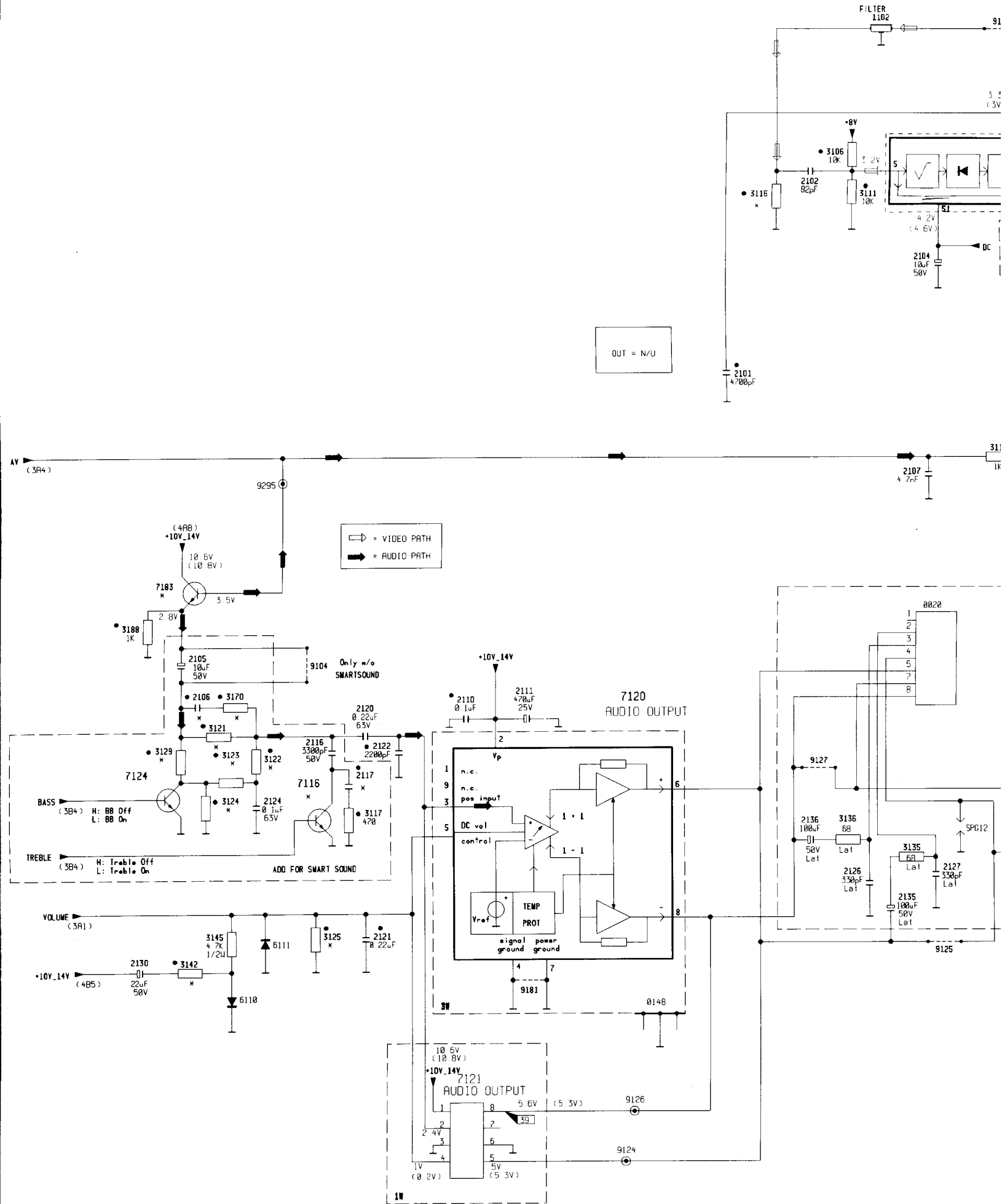
Lat = LATAM

3666



SECTION

from 9647  
in sec 3.1

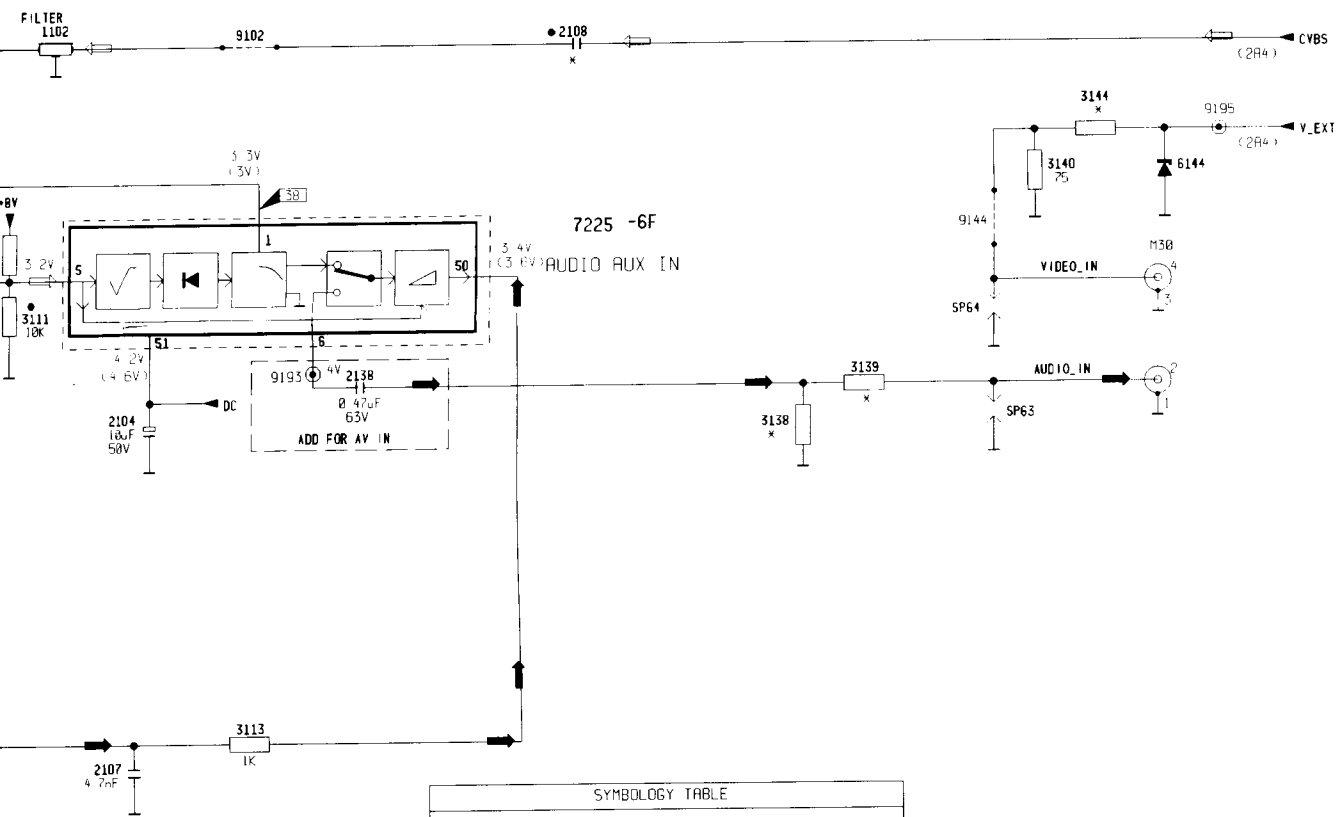


**INFORMATION**

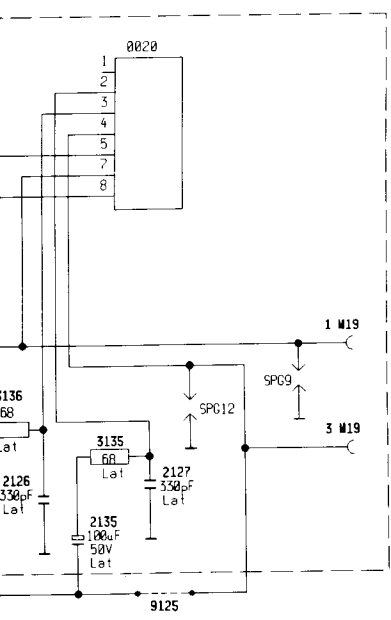
WHEN MOVING FROM ONE SCHEMATIC SECTION TO ANOTHER, AN IDENTIFICATION METHOD HAS BEEN IMPLEMENTED, ALONG WITH A FUNCTIONAL NAME AND MAP COORDINATES. THIS METHOD ALSO INDICATES THE SCHEMATIC SECTION AND MAP COORDINATES THIS WIRE RE-ENTERS OR LEAVES THE CIRCUIT.

SIGNAL FLOW FOR A PARTICULAR WIRE WILL BE INDICATED WITH ONE OF THE FOLLOWING SYMBOLS:

BESIDE EACH FUNCTIONAL DESCRIPTION IS THE FIRST NUMBER SHOWN ON THE WIRE AND THE TWO CHARACTERS WHICH FOLLOW.



SYMBOLY TABLE				
ZENER DIODE	STANDARD DIODE	STANDARD CAPACITOR	NPN TRANSISTOR	JACK PANEL
ELECTROLYTIC CAPACITOR	STANDARD RESISTOR	FILTER	JUMPER	
HEATSINK	CHASSIS GROUND	DC IN	SPARKGAP	FEMALE CONNECTOR



BESIDE EACH FUNCTIONAL DESCRIPTION WILL BE A SERIES OF NUMBERS AND LETTERS WHICH ARE ENCLOSED WITHIN PARENTHESIS (LOCATOR SERIES)  
 THE FIRST NUMBER SHOWN ON THE LOCATOR SERIES (4A4) LOCATED NEXT TO THE ON/OFF WIRE INDICATES THE SCHEMATIC SECTION THIS WIRE WILL RE-ENTER THE CIRCUIT.  
 THE WIRE WILL RE-ENTER THE CIRCUIT AT THE POINT INDICATED BY THE WIRE WILL BE SHOWN ON SECTION 4