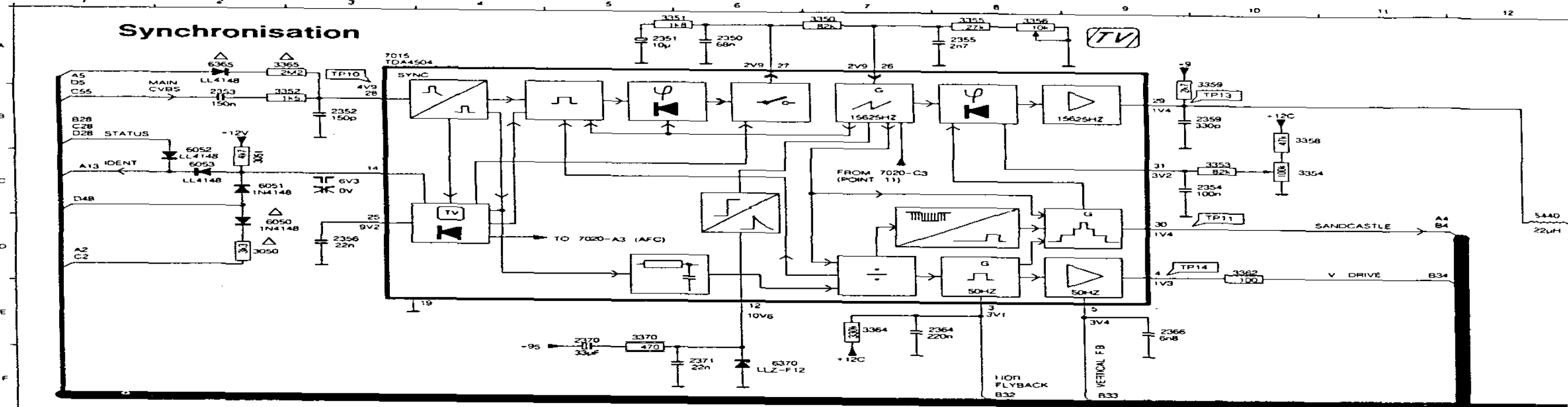


Alimentation / sync / ligne / trame

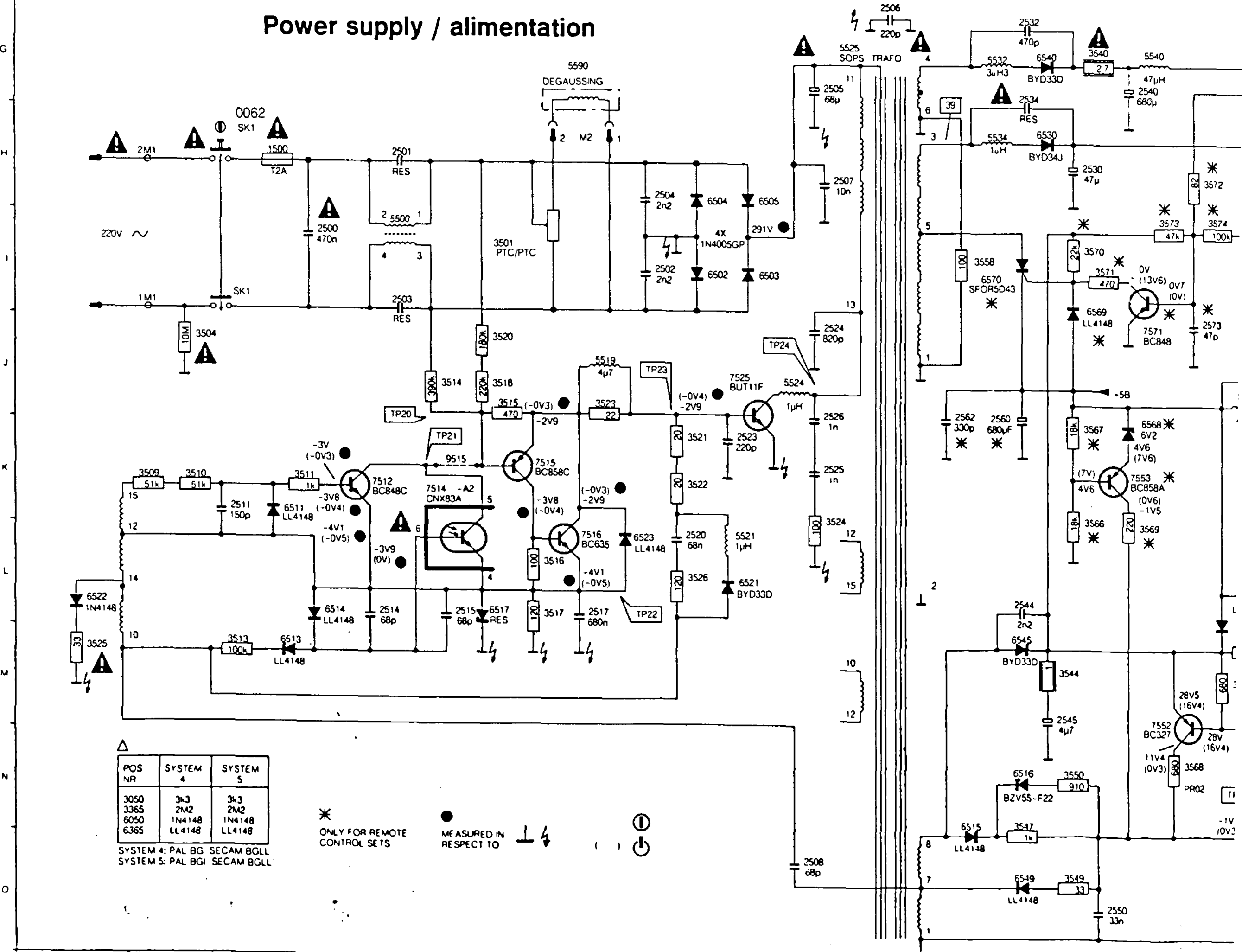
ANUBIS A

6.7

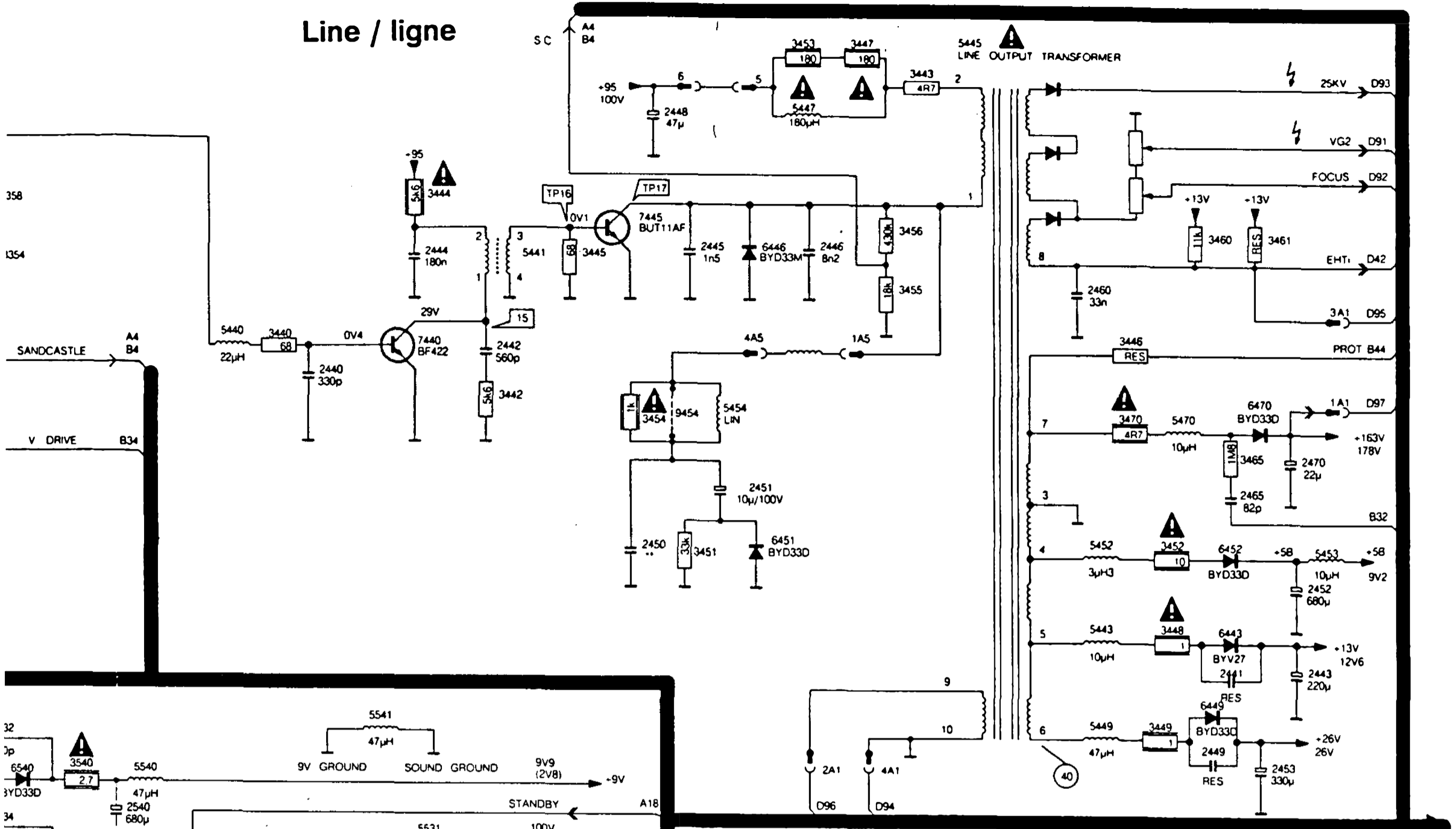
6.8



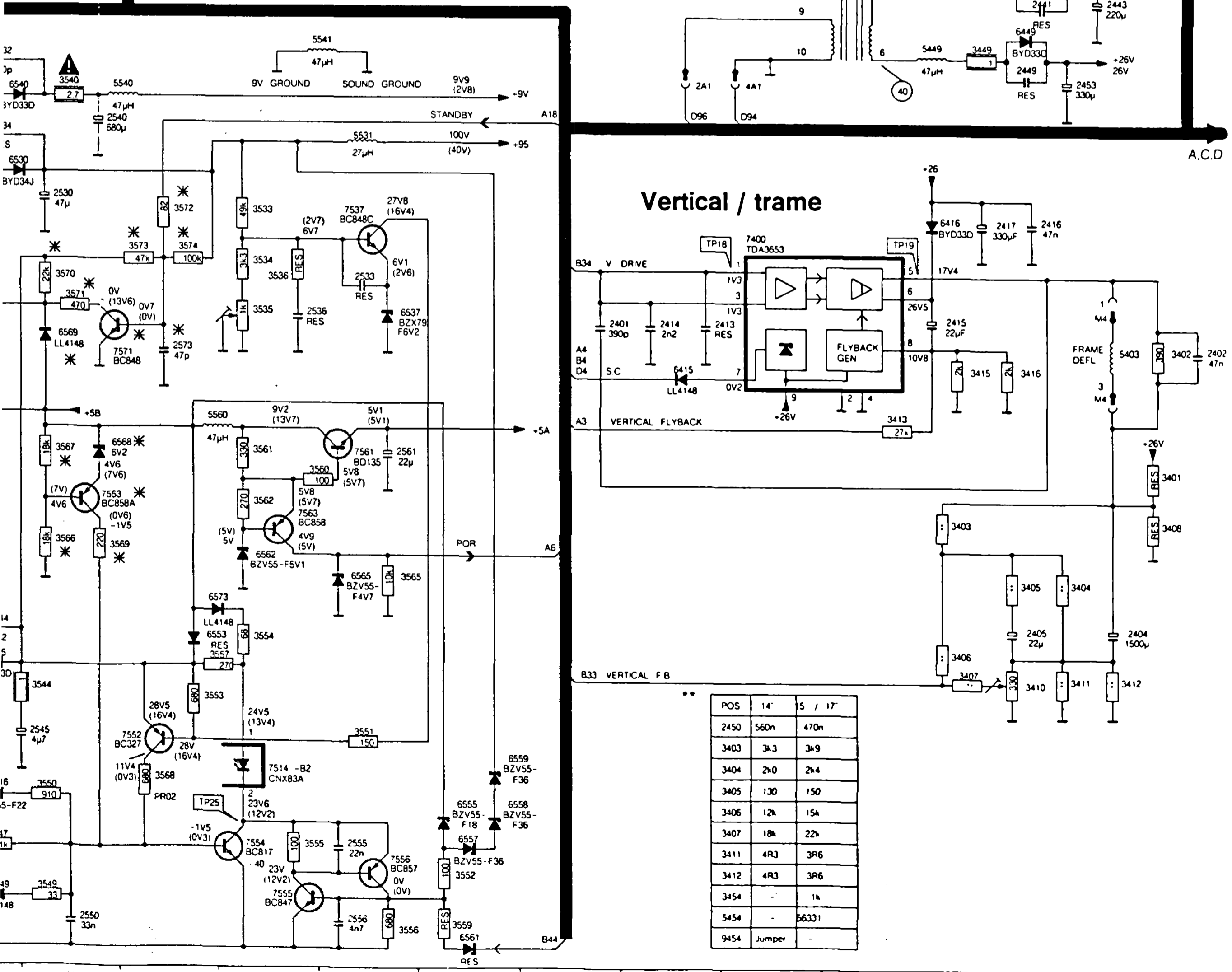
Power supply / alimentation

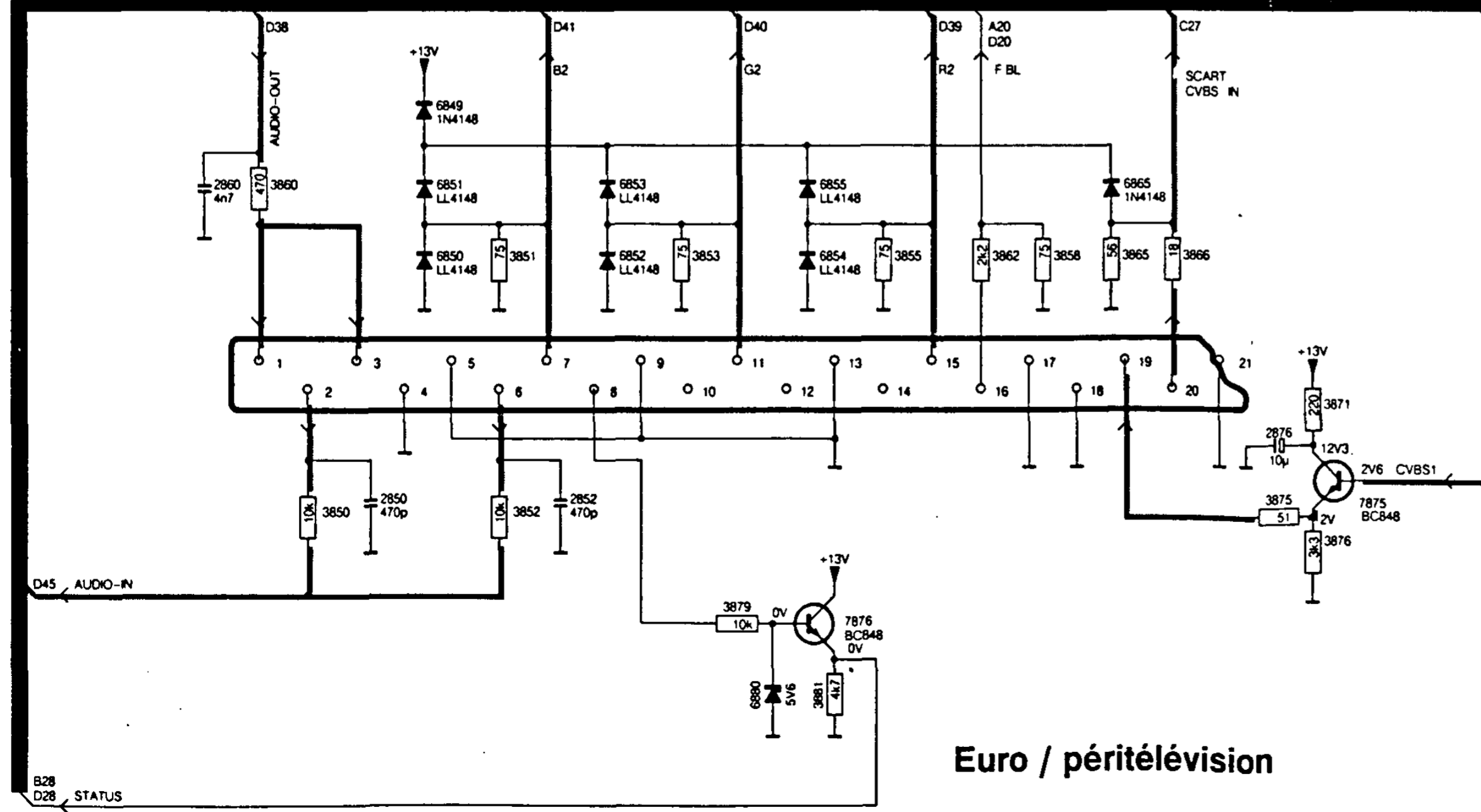
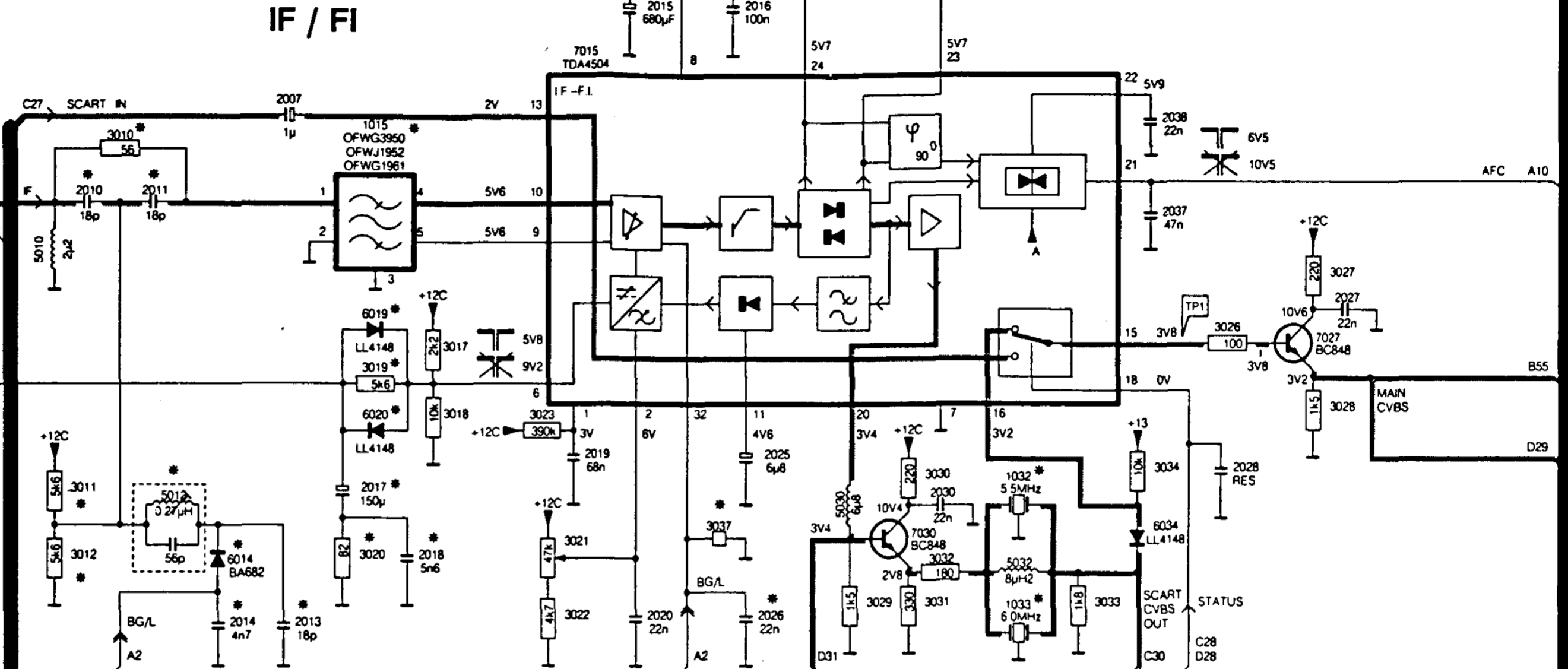
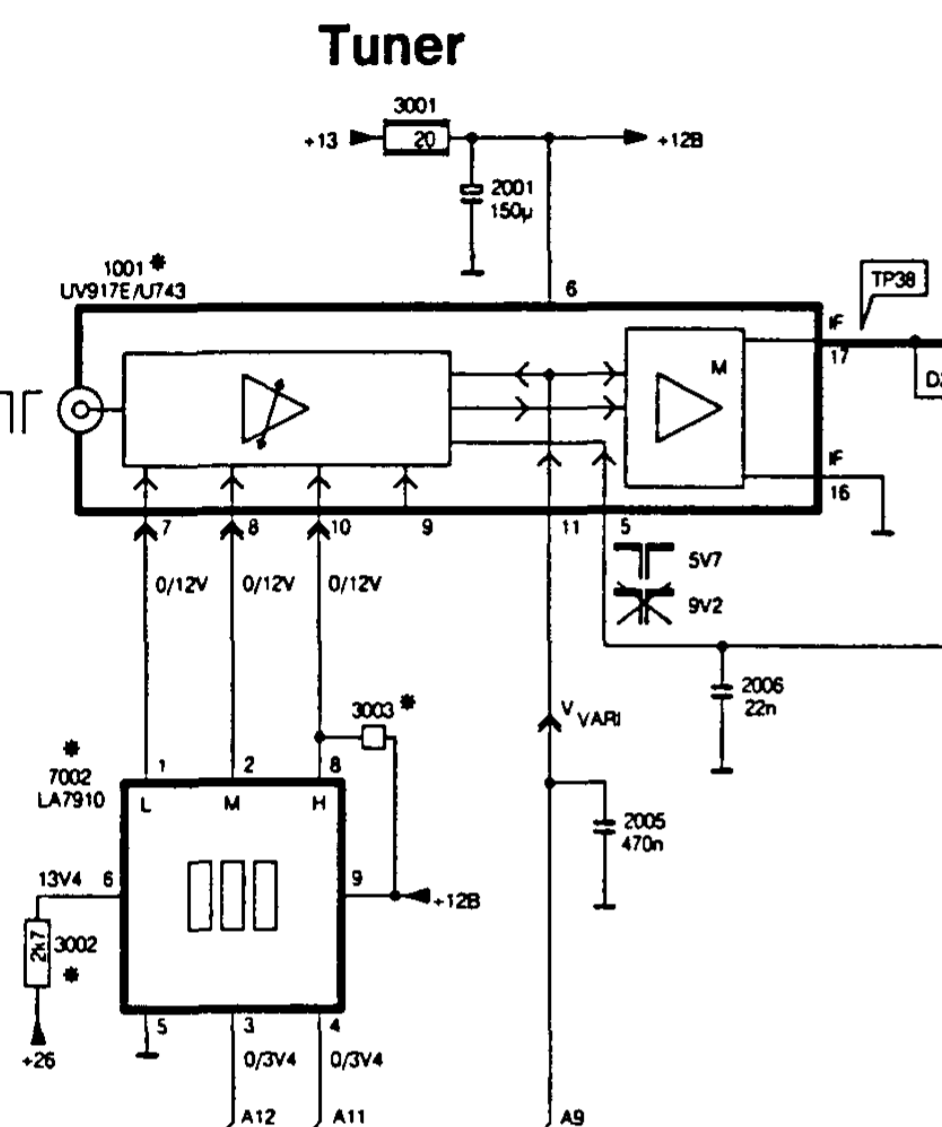


Line / ligne



Vertical / trame





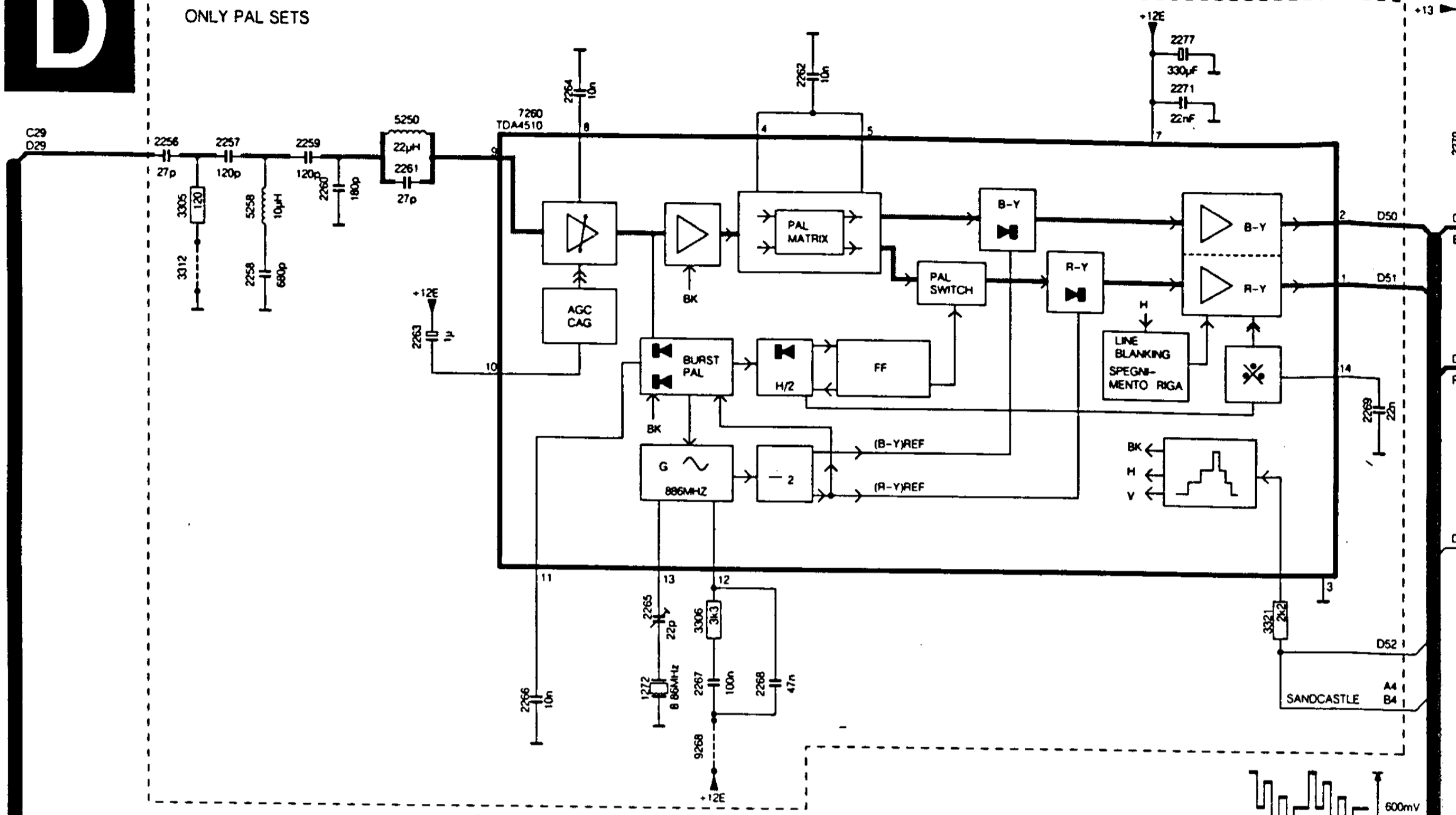
POS NR	SYSTEM 1	SYSTEM 2	SYSTEM 3	SYSTEM 4	SYSTEM 5
1001	UV917	U743	UV917	UV917	UV917
1015	OFWG1961	OFWJ1952	OFWG1961	OFWG3950	OFWG3950
1032	5.5MHz	-	5.5MHz	5.5MHz	5.5MHz
1033	-	6.0MHz	6.5MHz	-	6.0MHz
2010	-	-	-	18p	18p
2011	-	-	-	18p	18p
2013	-	-	-	18p	18p
2014	-	-	-	4n7	4n7
2017	100µF	100µF	100µF	150µF	150µF
2018	-	-	-	5n6	5n6
2026	-	-	-	22n	22n
2041	-	-	-	4n7	4n7
2043	-	-	-	4n7	4n7
2044	-	-	-	4n7	4n7
3010	JMP	JMP	JMP	56E	56E
3011	-	-	-	5k6	5k6
3012	-	-	-	5k6	5k6
3019	JMP	JMP	JMP	5k6	5k6
3020	JMP	JMP	JMP	82E	82E
3036	-	-	-	JMP	JMP
3037	JMP	JMP	JMP	-	-
3043	-	-	-	100k	100k
3049	-	-	-	820k	820k
5012	-	-	-	0.28µH	0.28µH
5040	0.19µH	0.19µH	0.19µH	0.30µH	0.30µH
5043	-	-	-	0.70µH	0.70µH
6014	-	-	-	BA682	BA682
6019	-	-	-	LL4148	LL4148
6020	-	-	-	LL4148	LL4148
7049	-	-	-	BC858	BC858

SYSTEM 1: PAL BG
SYSTEM 2: PAL I

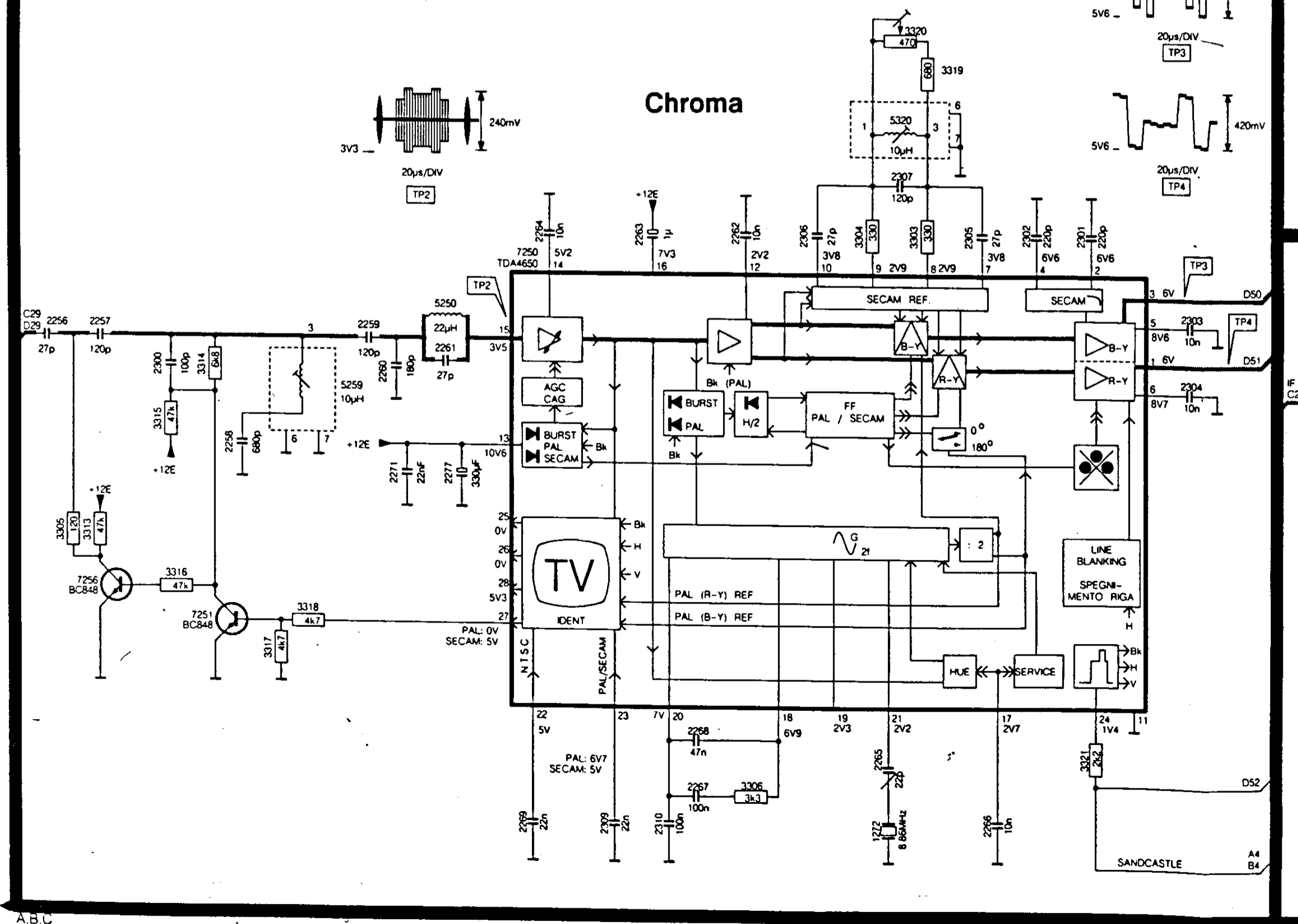
A,B,D

D

ONLY PAL SETS



Chroma



ABC