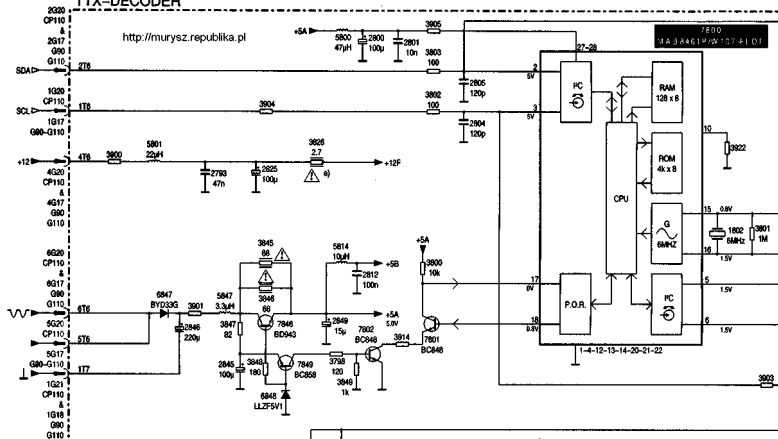
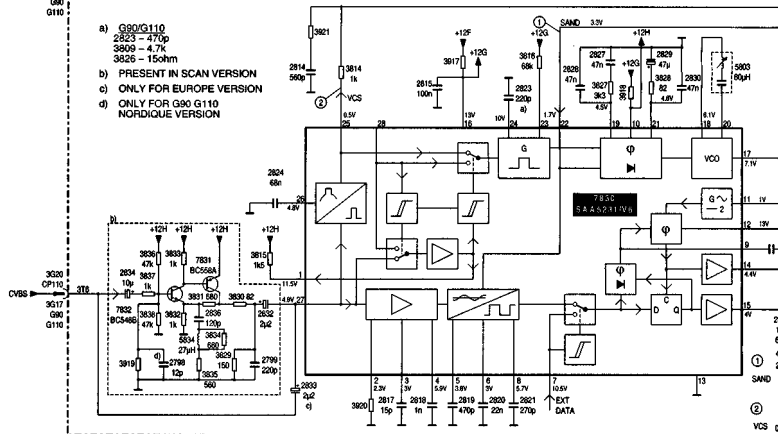


G90-G110-CP90-CP110 EUROPE & NORDIQUE
TTX-DECODER

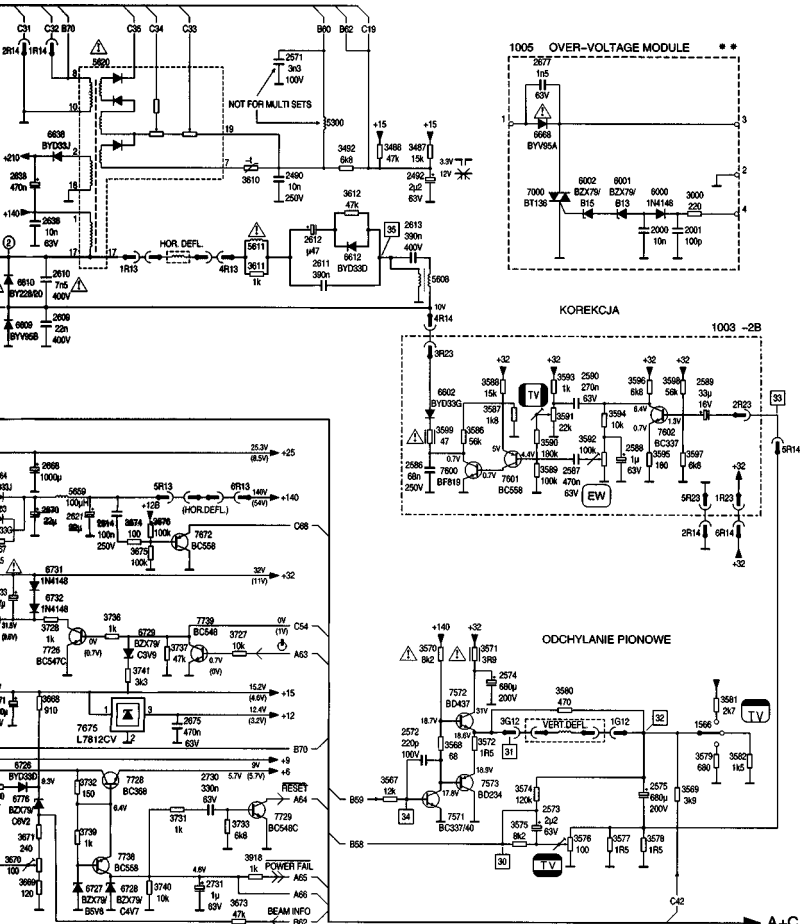


- a) G90/G110
2823 - 470p
3309 - 4.7k
3825 - 15ohm
- b) PRESENT IN SCAN VERSION
ONLY FOR EUROPE VERSION
- c) ONLY FOR G90 G110
NORDIQUE VERSION

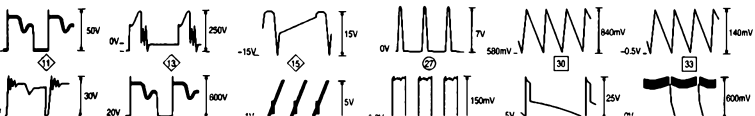


OTVC Philips chassis CP 110

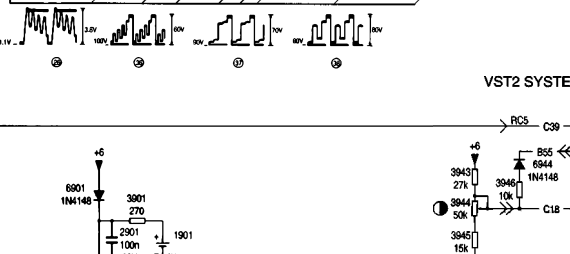
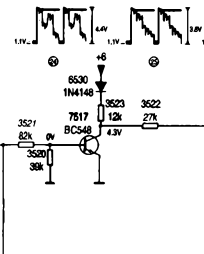
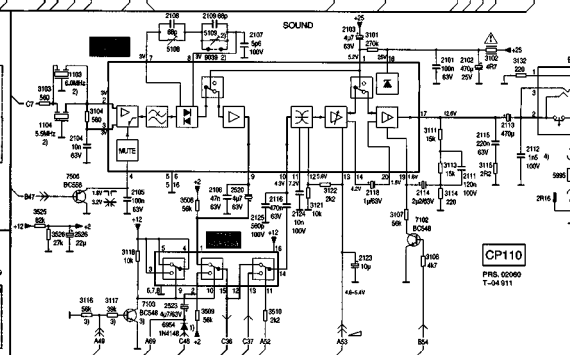
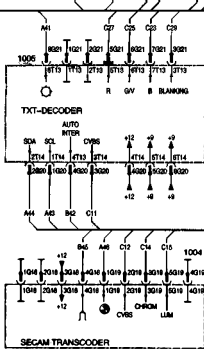
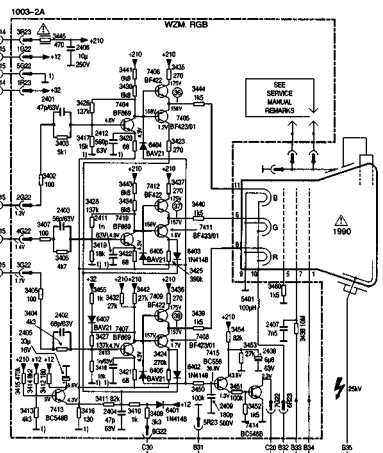
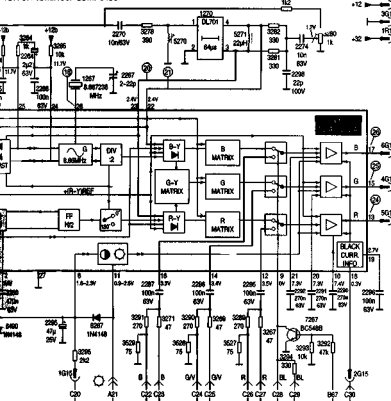
strong



A+C



TOR CHROMINCH-LUMINACIJ



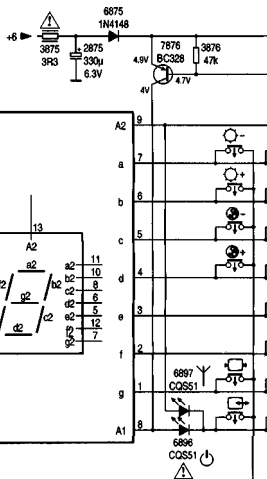
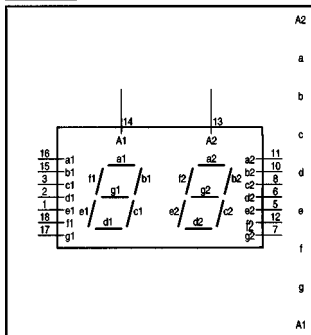
VST2 SYSTEM

RC5 C39

OTVC Philips chassis CP 110

strona 2/2

7880
Najbardziej



REMARKS:

- 1) PRESENT IN UHF-ONLY SETS
- 2) NOT PRESENT IN UHF-ONLY SETS
- 3) PRESENT IN MULTI-FRANCE SETS

