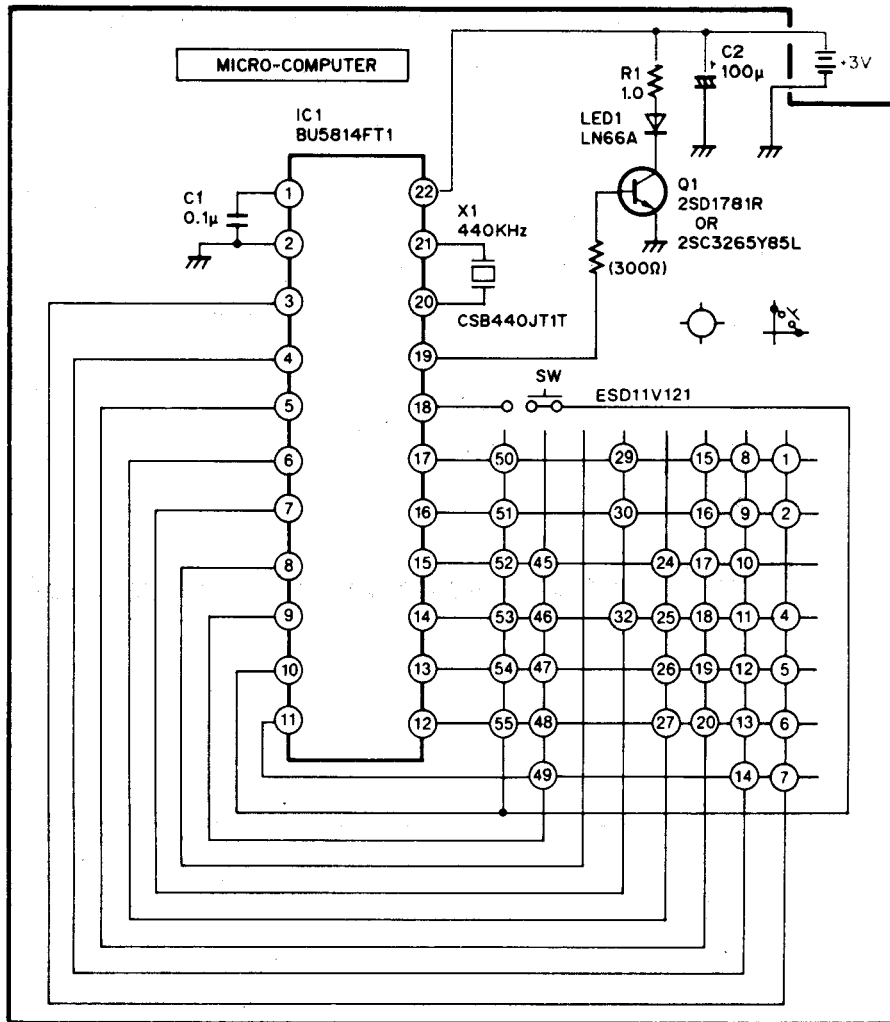
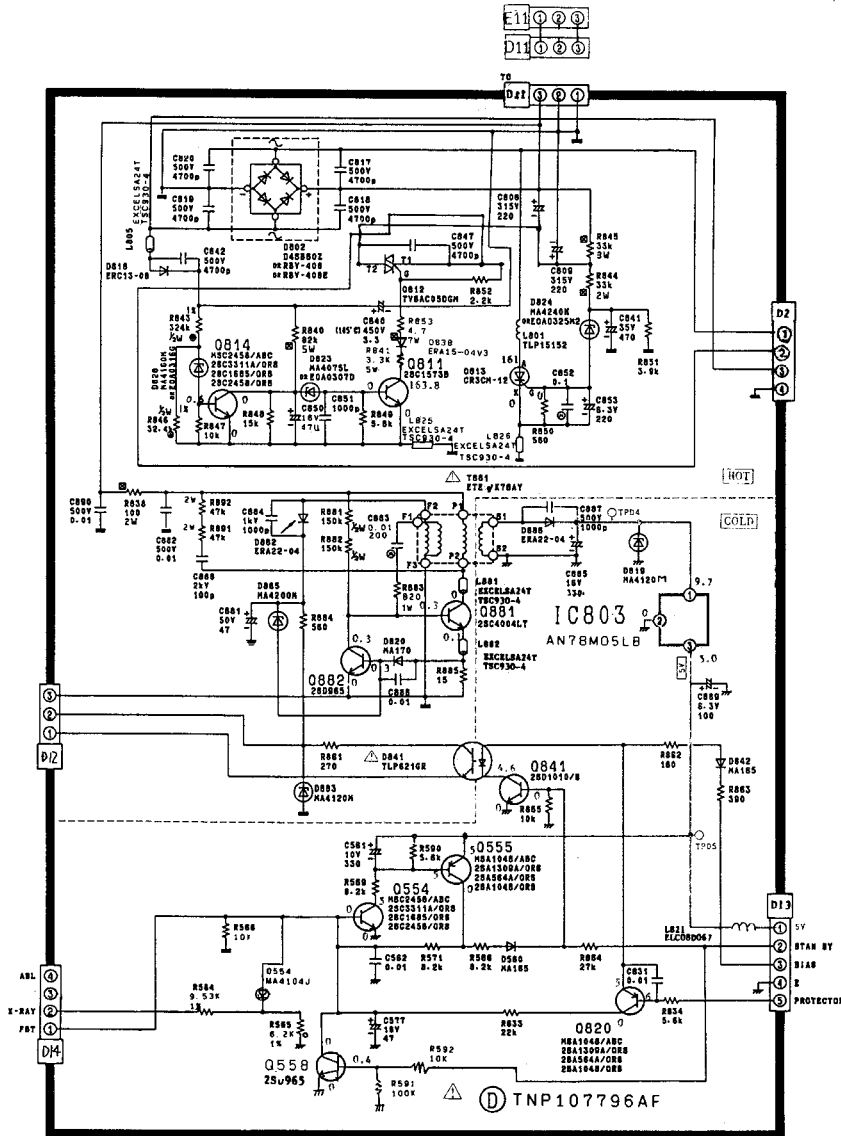
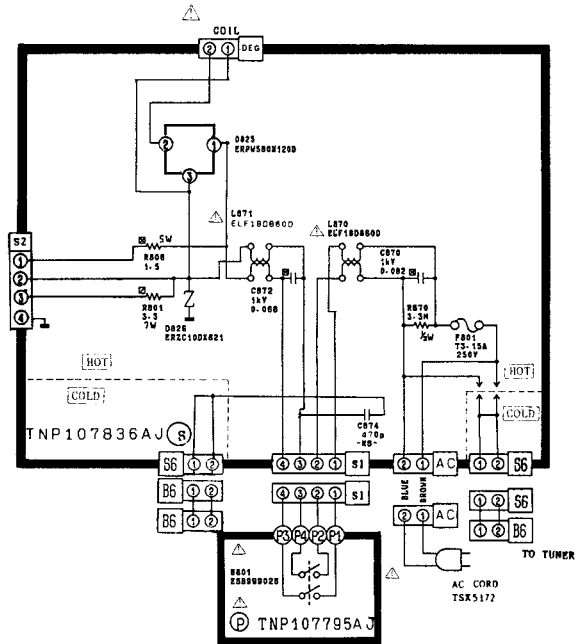
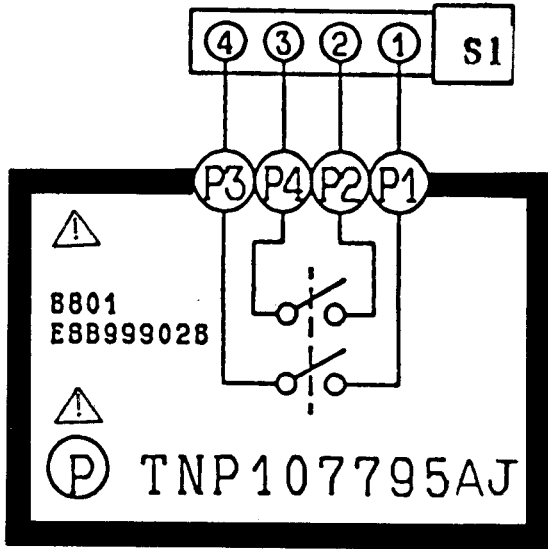


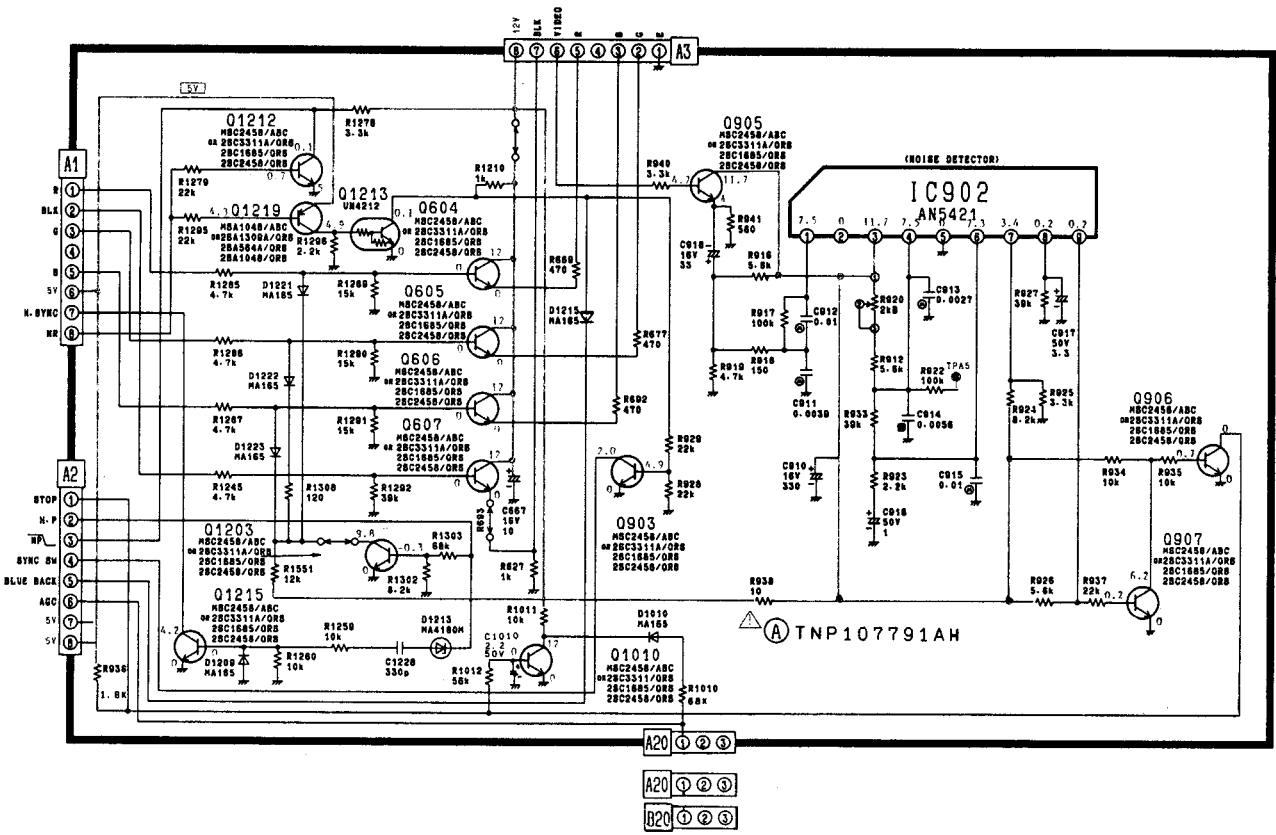
Remote Controller EUR50703

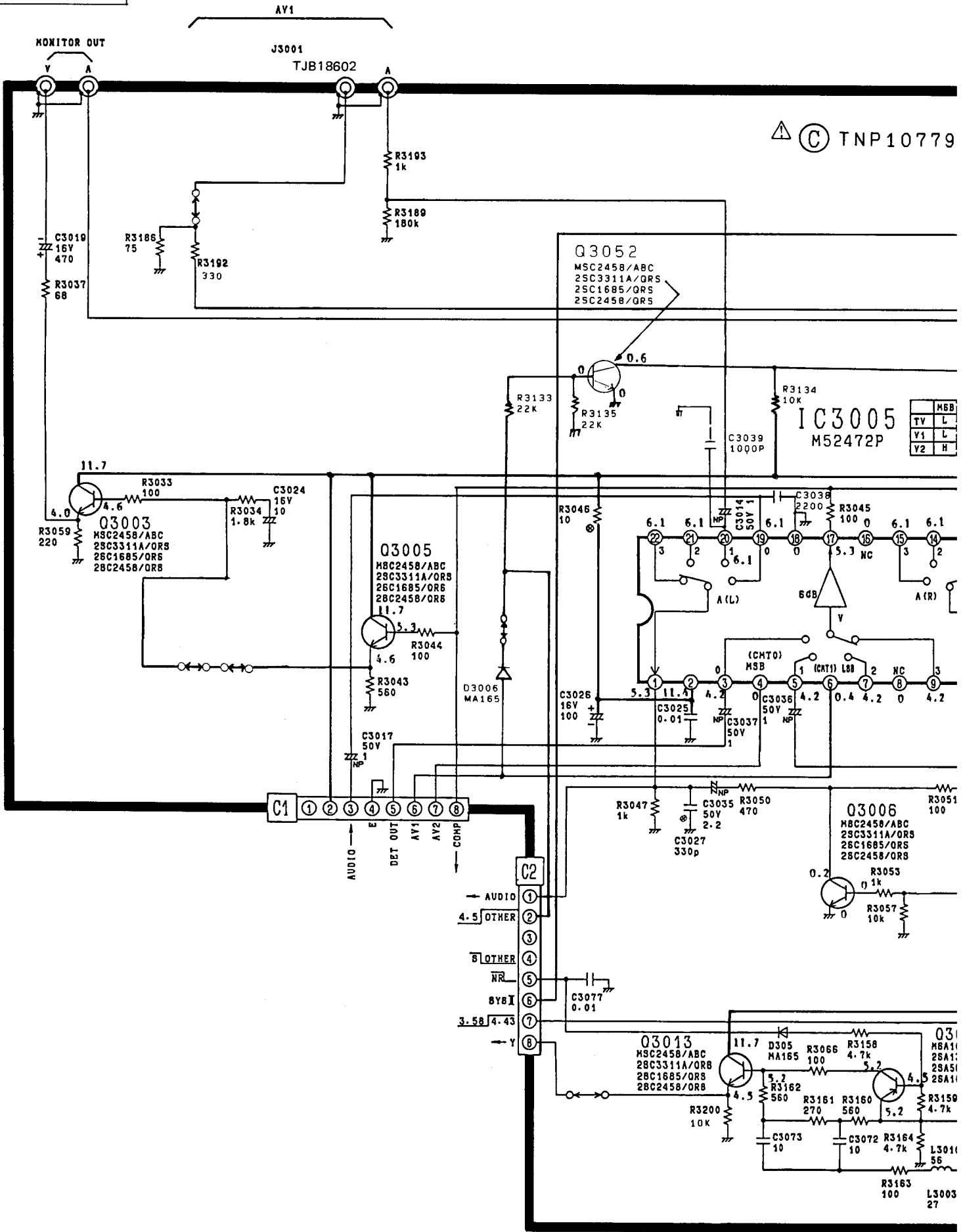


KEY FUNCTION TABLE

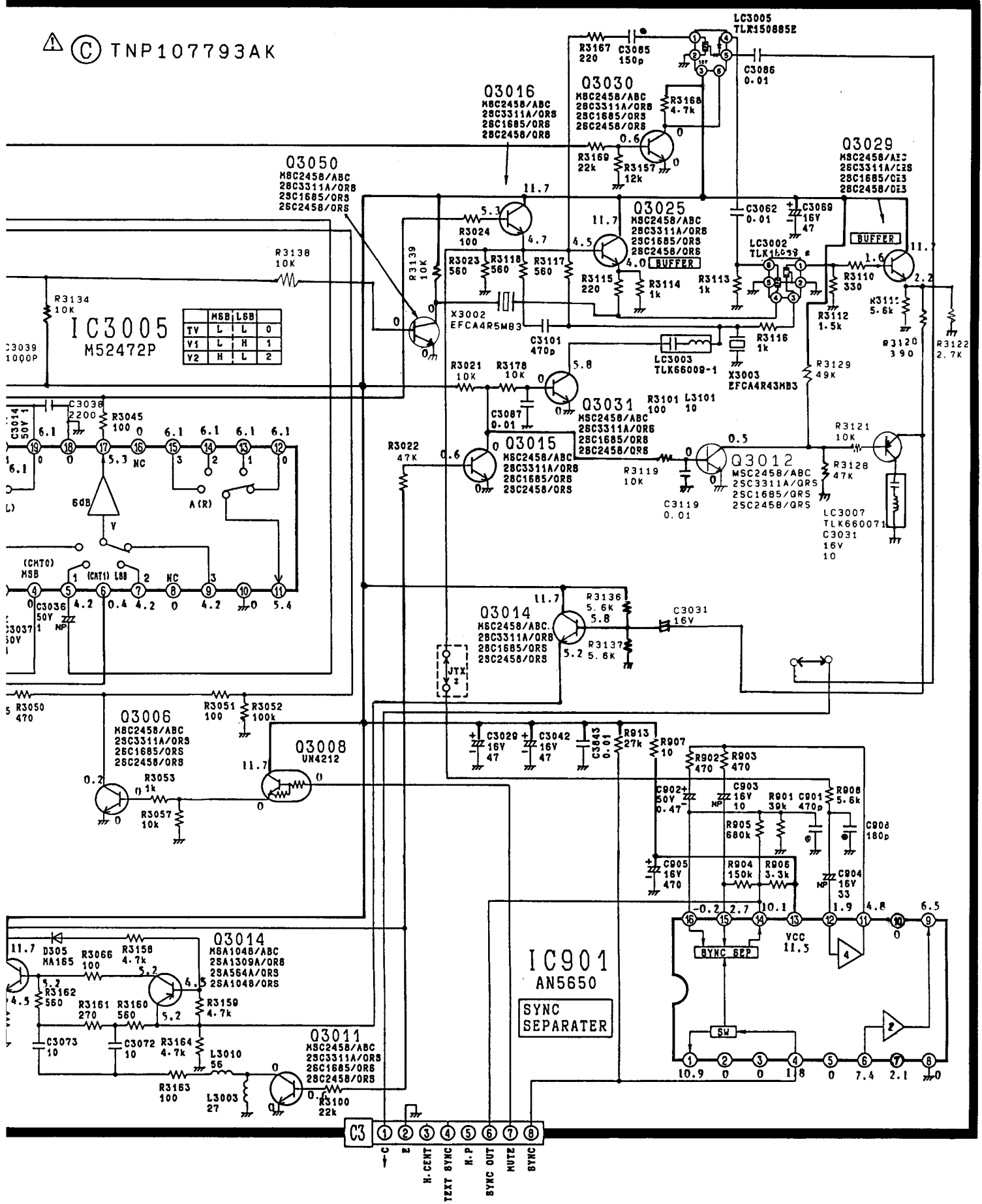
KEY NO.	DATA CODE	FUNCTION	KEY NO.	DATA CODE	FUNCTION	KEY NO.	DATA CODE	FUNCTION
1	0F	OFF TIMER	17	39	RECALL	49	00	VCR STOP
2	05	TV/AV	18	19	0	50	06	VCR PAUSE
4	3D	POWER	19	3B	- / - - (2DIGIT)	51	0C	VCR ADVANCE
5	10	1	20	21	VOL. DN.	52	08	VCR REC.
6	11	2	24	0A	PNR	53	02	VCR REW.
7	12	3	25	32	MUTE	54	0A	VCR PLAY
8	34	CH. UP.	26	06	PICTURE FUNC.	55	03	VCR F.F.
9	13	4	27	09	FUNC. DN.			
10	14	5	29	50	PICTURE MENU			
11	15	6	30	51	SOUND MENU			
12	35	CH. DN.	32	0C	NORMAL			
13	16	7	45	33	SOUND SELECT			
14	17	8	46	35	CVR CH. DN.			
15	18	9	47	34	VCR CH. UP.			
16	20	VOL. UP.	48	3D	VCR POWER			

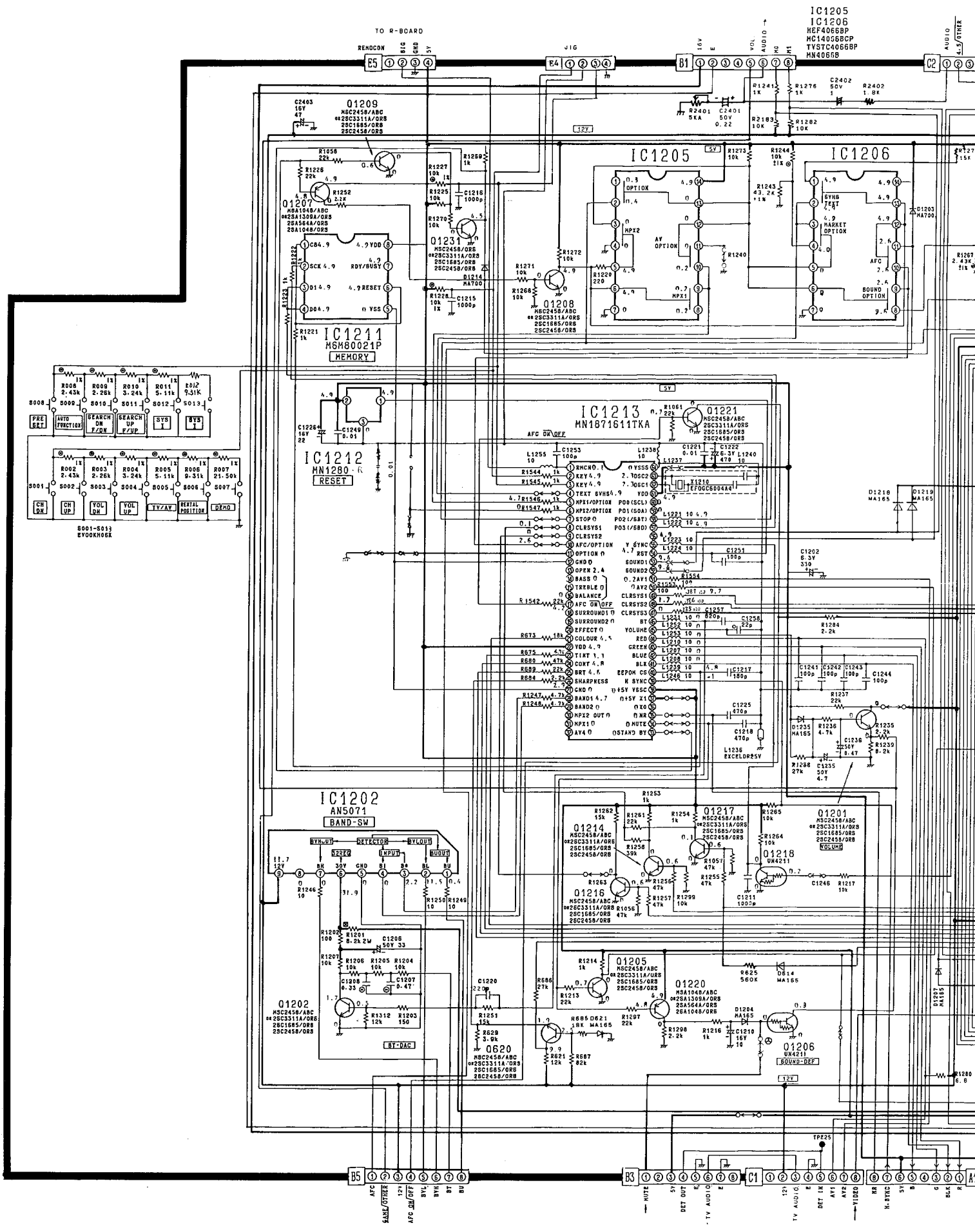






⚠ (C) TNP107793AK





IC1205
 IC1206
 HCF4066BP
 MC14068BP
 TVSTC4066BP
 MN4066B

TO R-BOARD

RENOCOM
 BIC
 GND
 5V

J16

10V

AUDIO

10K

10K

10K

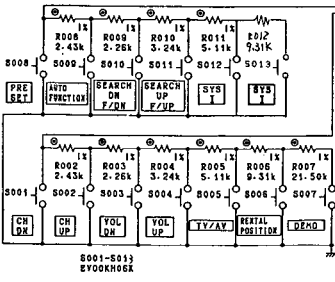
10K

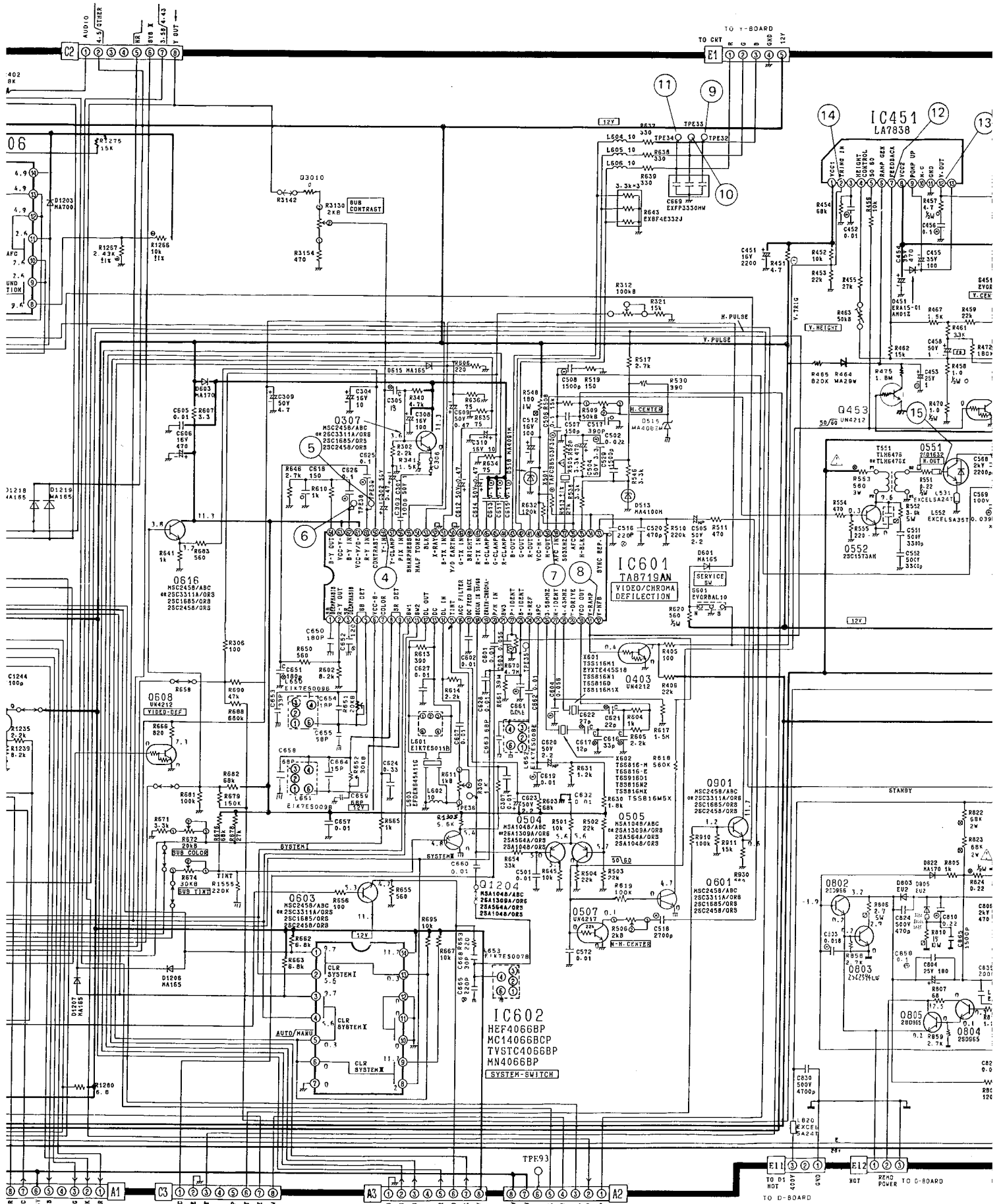
10K

10K

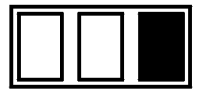
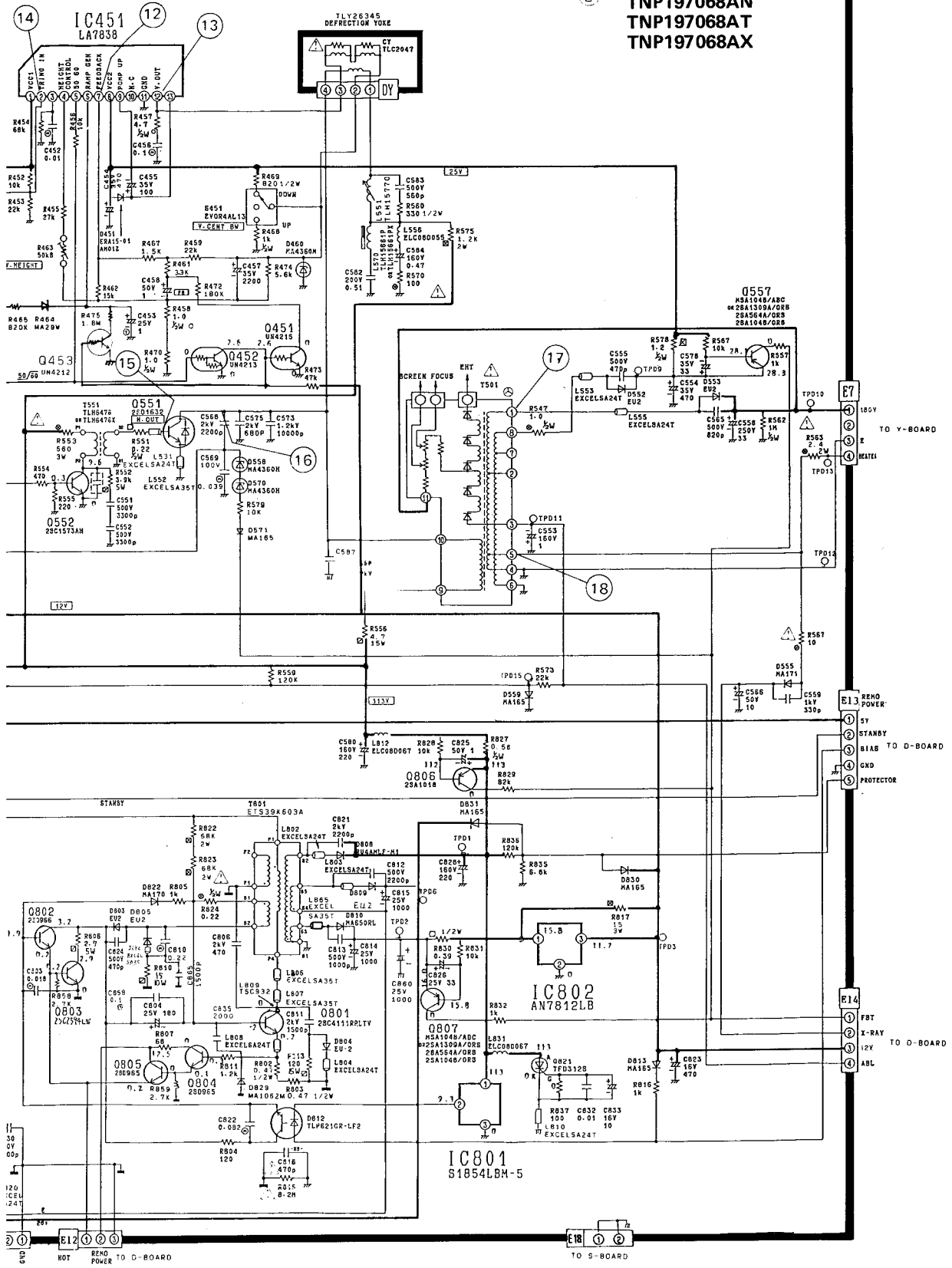
10K

10K

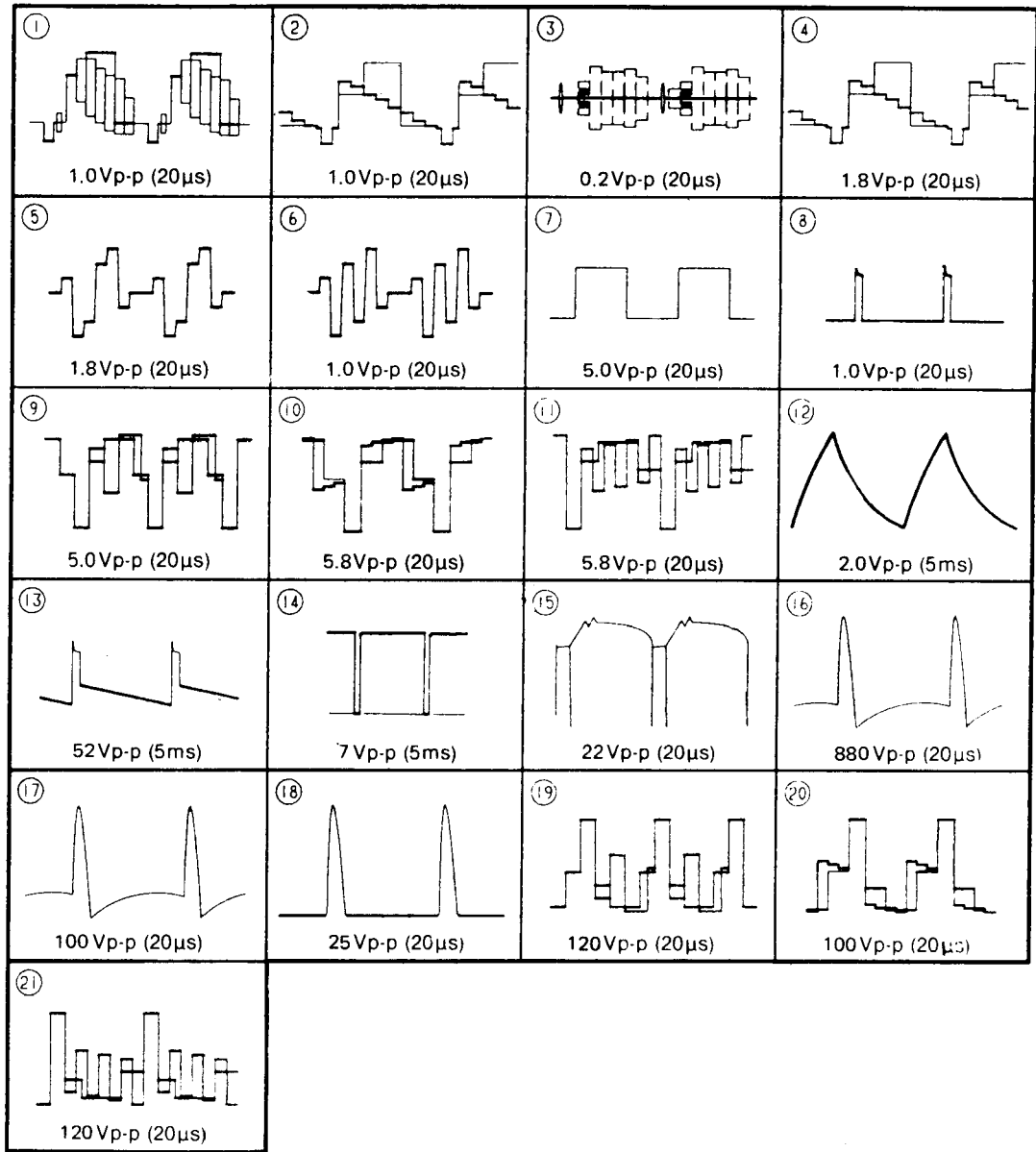




(E) TNP197068AN
TNP197068AT
TNP197068AX



WAVEFORM PATTERN TABLE



IC 601 VOLTAGE

PIN No.	1	2	3	4	5	6	7	8	9	10	11	12	13	14	15	16	17	18	19	20	21	22	23	24	25	26	27	28	29	30	31	32
VOLTAGE	8.1	7.6	8.1	6.2	6.2	11.3	3.3	6.2	6.2	8.6	8.6	4.9	4.9	7.2	5.5	9.8	3.3	4.2	0	5.5	2	10.6	5	5.5	4.6	10.3	3.8	0	2.8	0.4	1.1	3.1
PIN No.	33	34	35	36	37	38	39	40	41	42	43	44	45	46	47	48	49	50	51	52	53	54	55	56	57	58	59	60	61	62	63	64
VOLTAGE	5.9	3.9	0	7.8	6.1	7.0	2.1	9.2	3.5	3.5	3.5	4.7	4.7	4.6	6.6	3.4	6.7	0	0	0	7.3	1.6	2.3	3.0	5.7	4.5	3.2	5.7	11.3	5.7	11.3	7.6