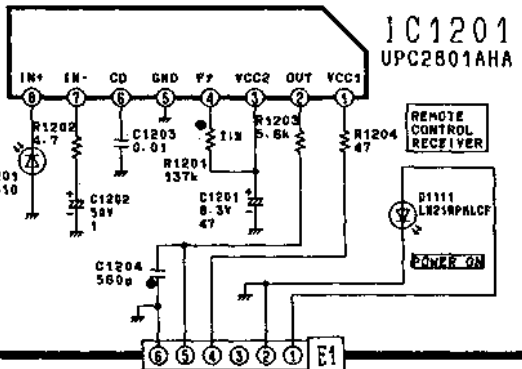
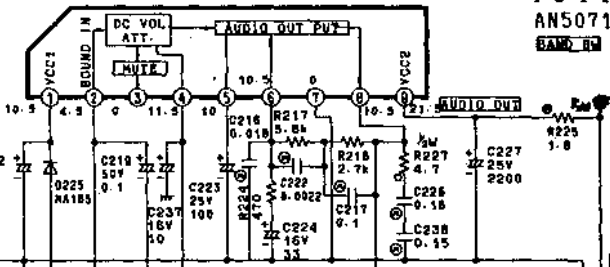


△ R-BOARD TNP107880AH

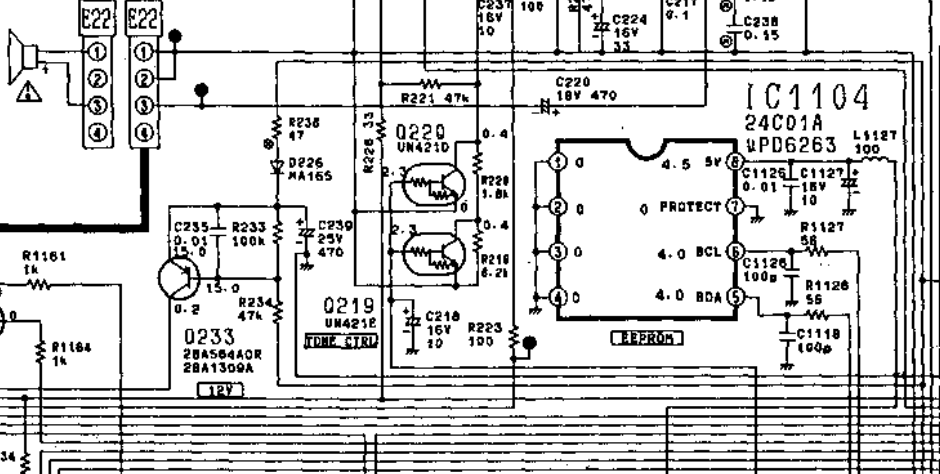


IC201 AN5265



IC1103 AN5071 RAM 8V

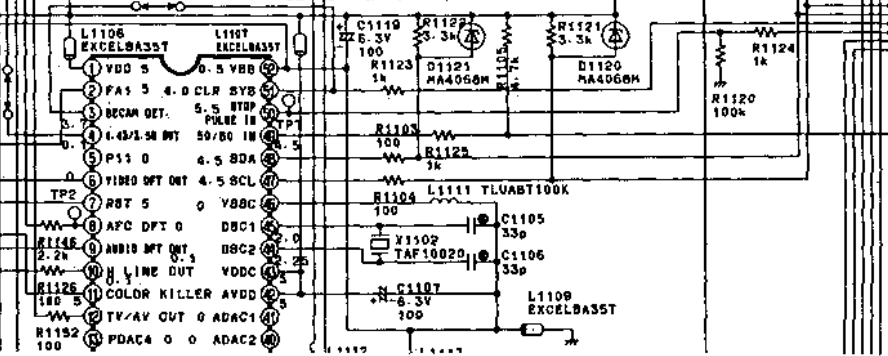
IC1104 24C01A WPD6263



Q1160 28C1680R 28C3311A

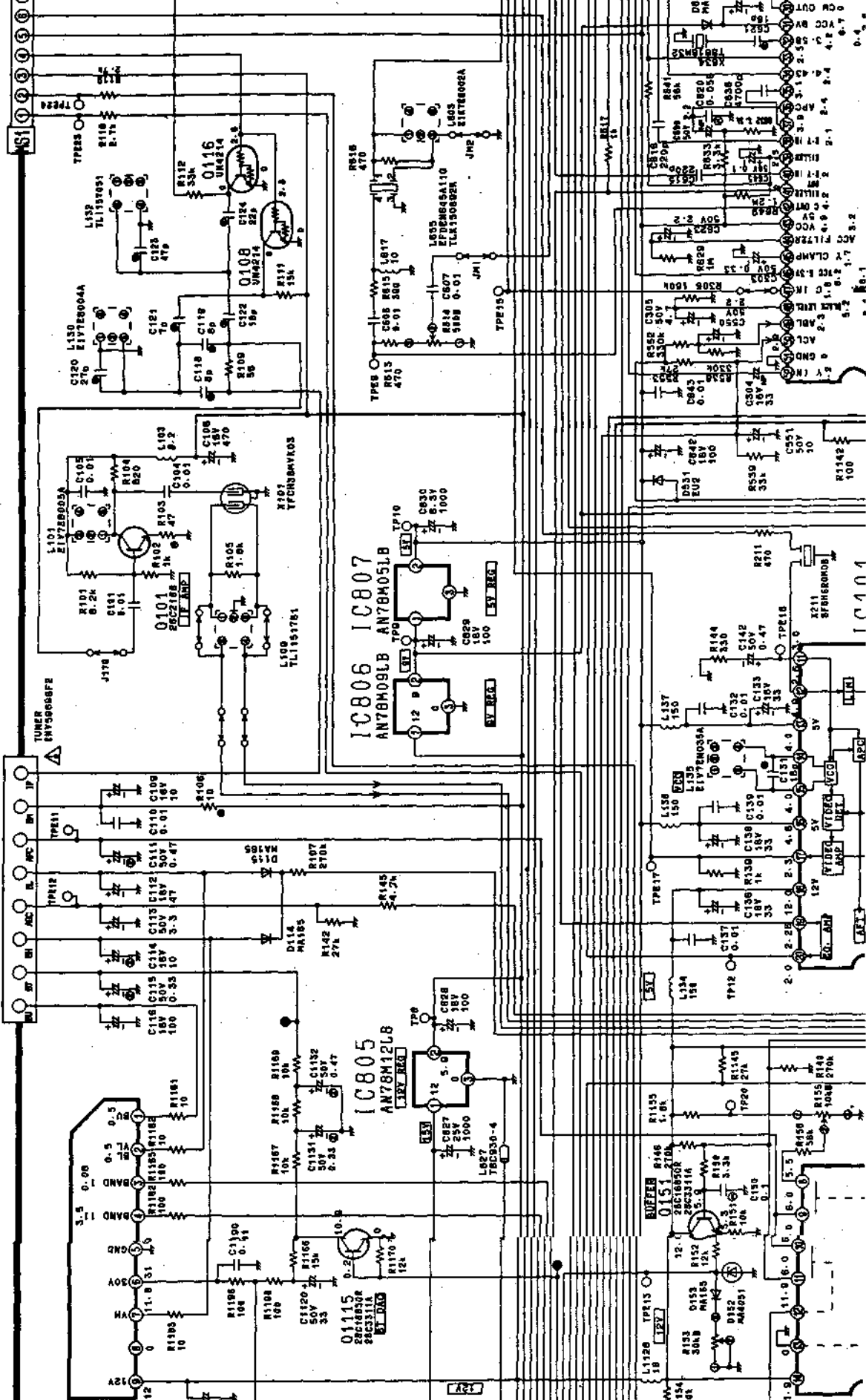
Q233 28A5644OR 28A1309A

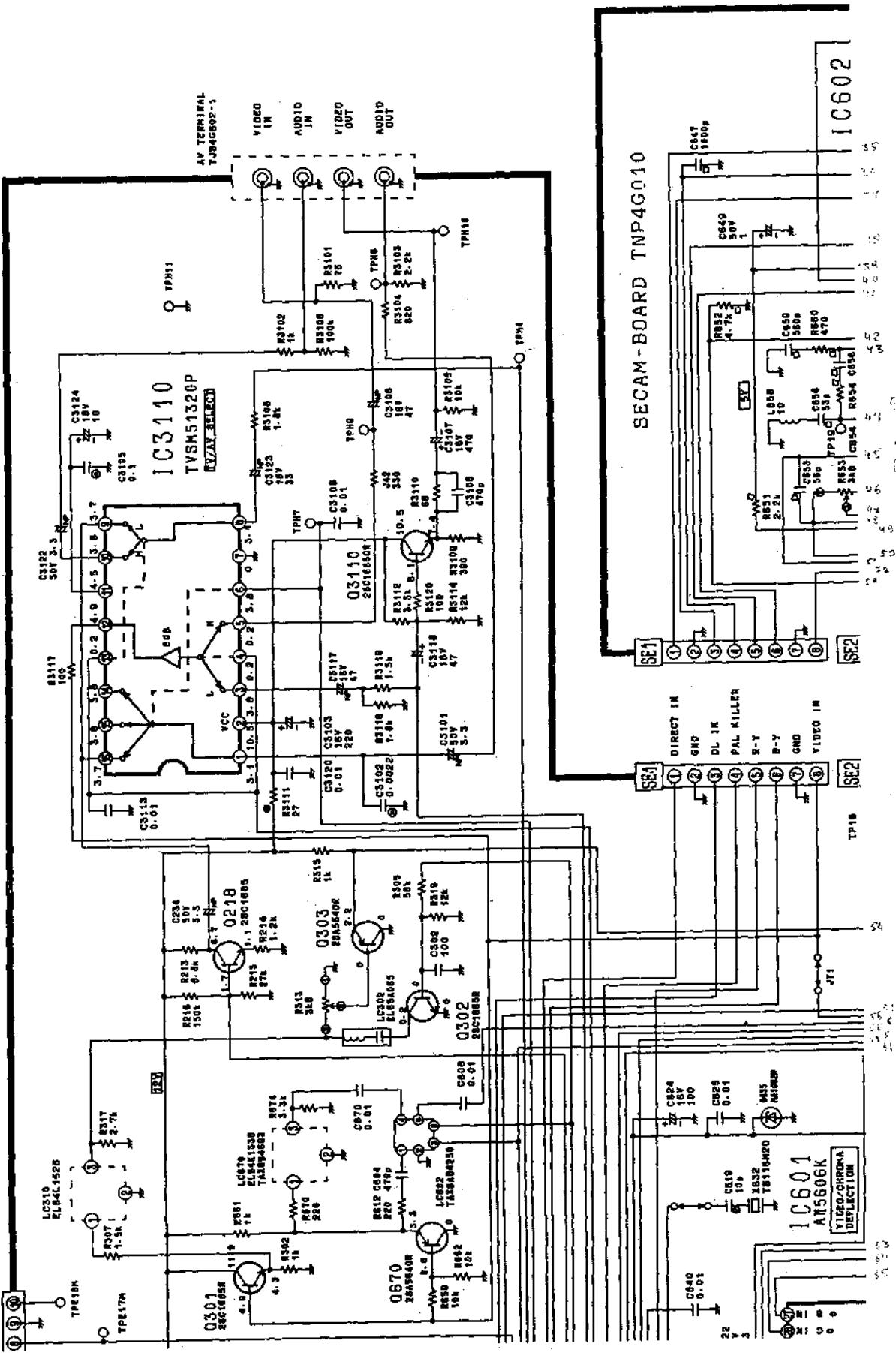
IC1106 MN128DR



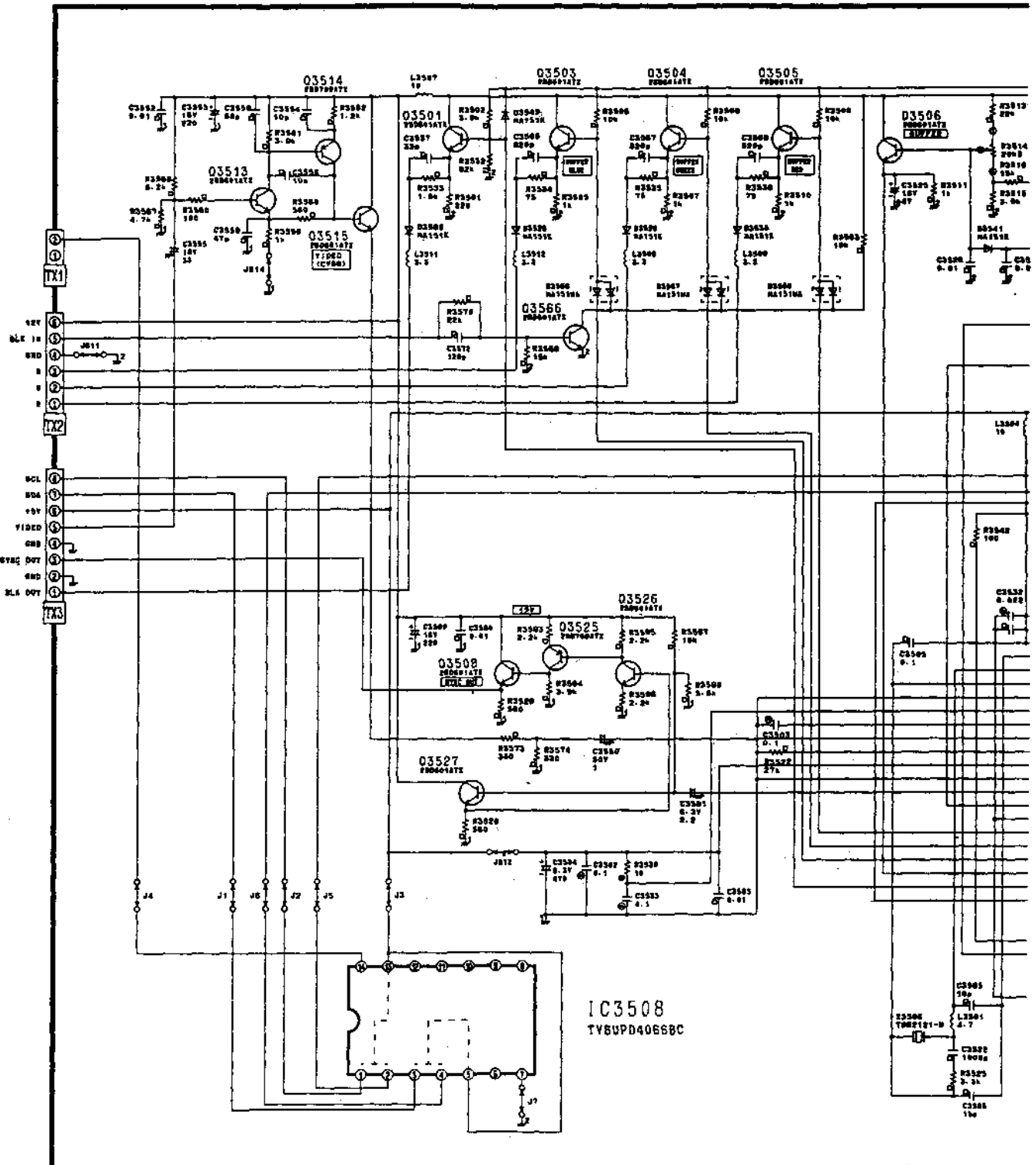
C1133 50V 0.33



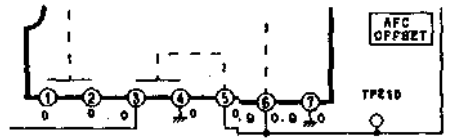






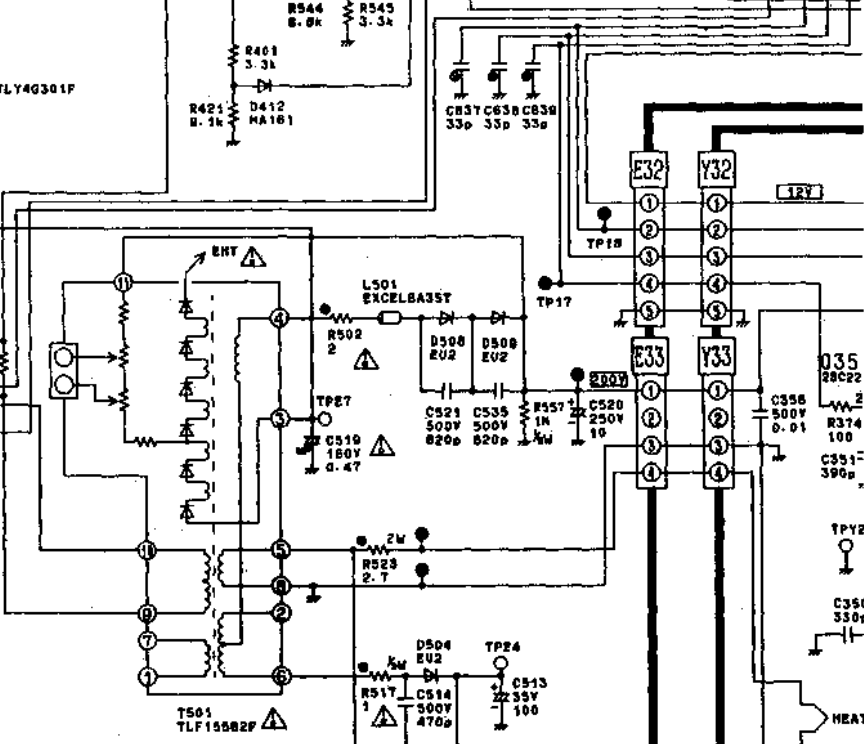
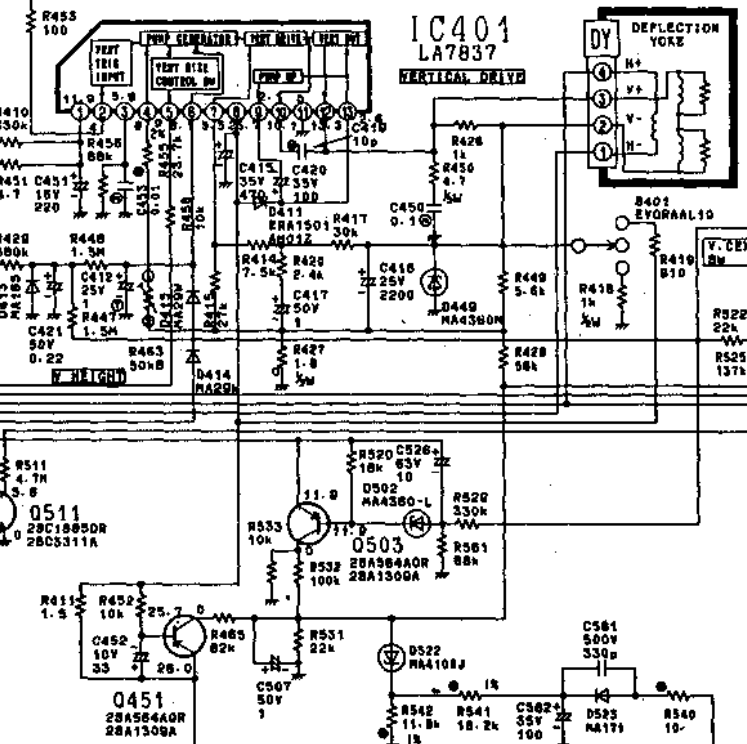
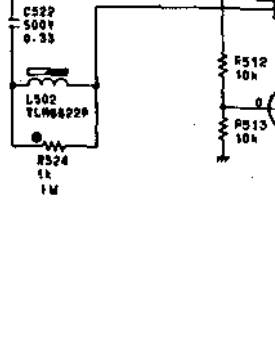
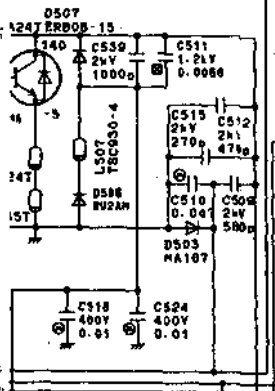
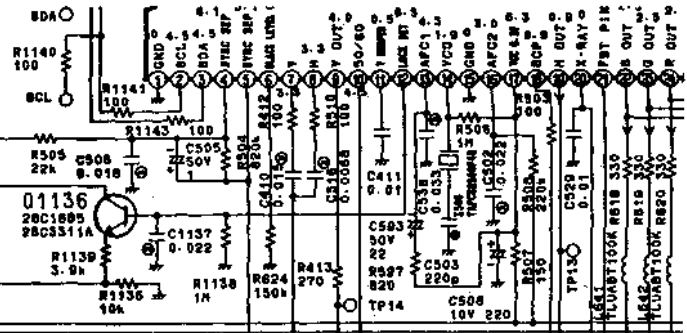
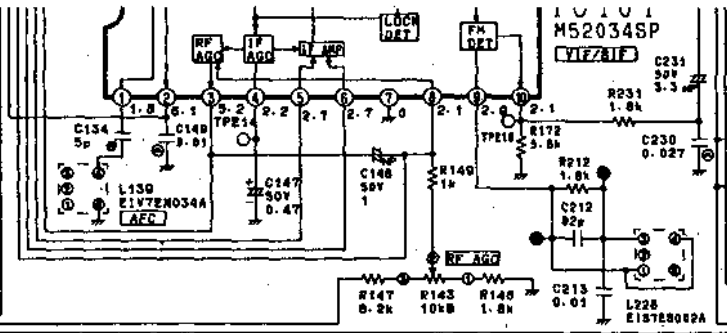


IC3508  
TV8UPD40668C

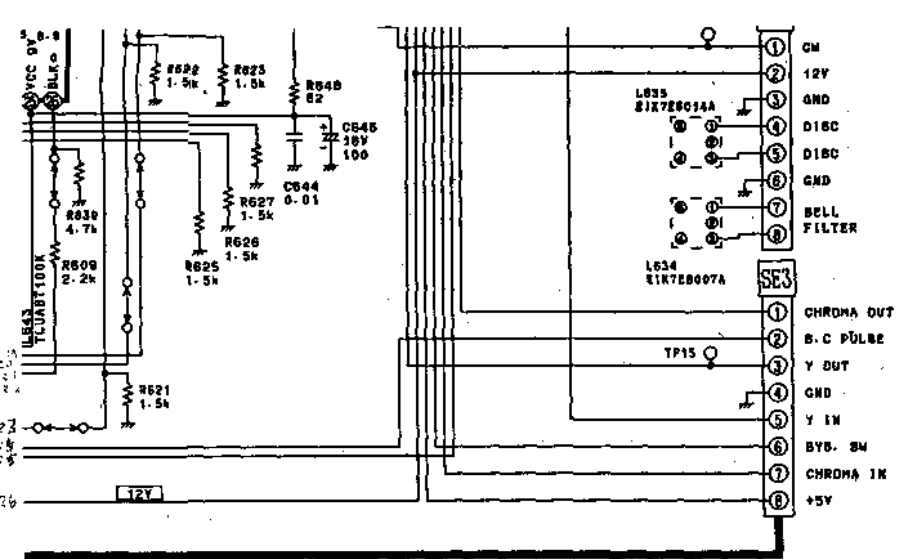


IC102  
 DR HEF4066BP  
 MN4066B  
 TC4066BP  
 UPD4066BC  
 M4066BP

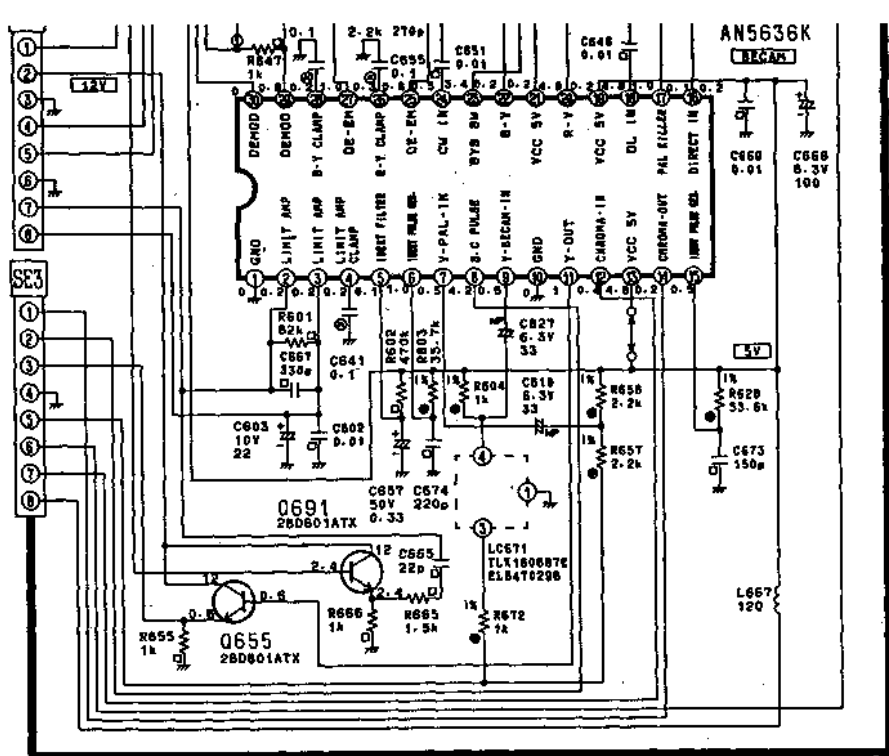
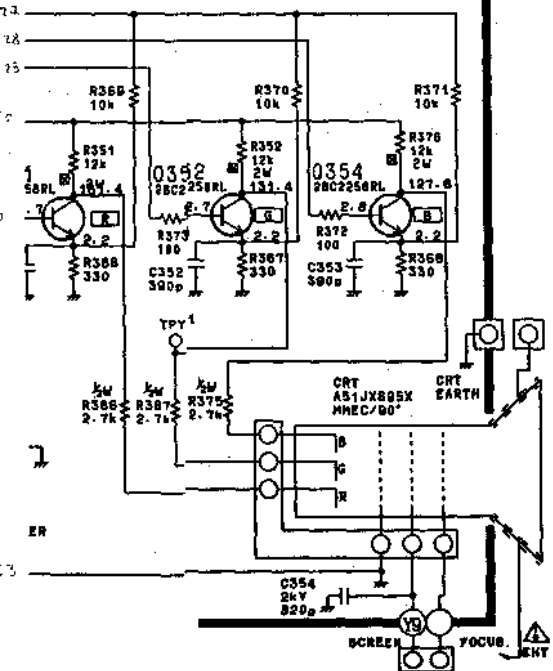
AFC ON/OFF  
 SELECT



4G007BF



Y-BOARD TNP107884AM



DIFFERENTIAL LIST

MODEL	KL-21L3RP
ITEM	
R1130	OPEN
R1131	SHORT
E-BOARD	BF
AC-CORD	OR TSX4G102H1 TSX4G102F1