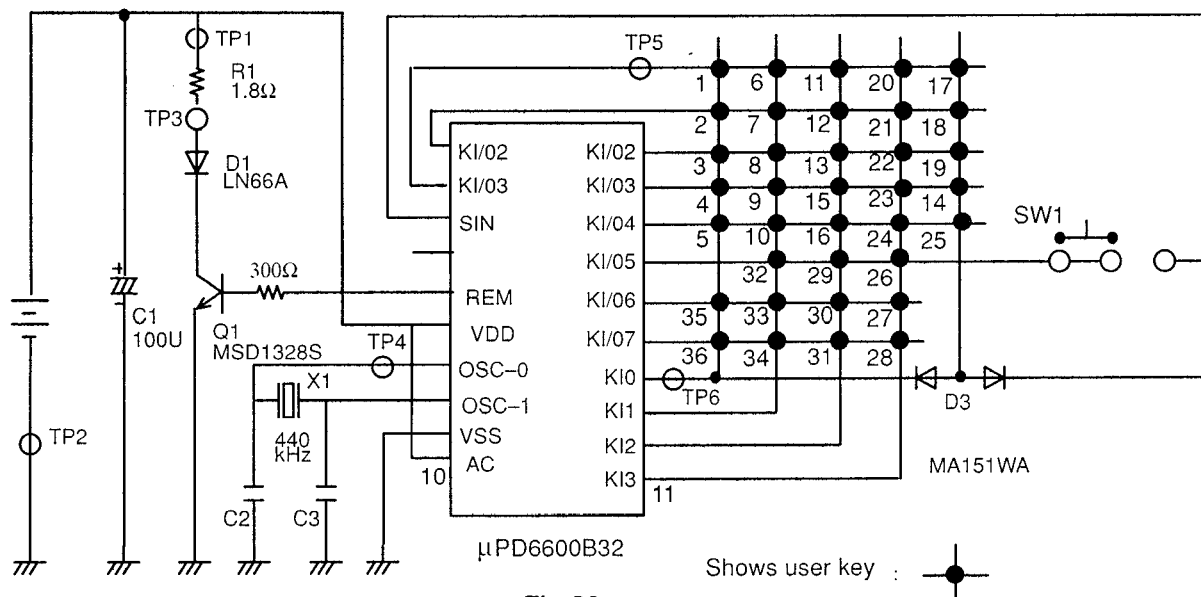


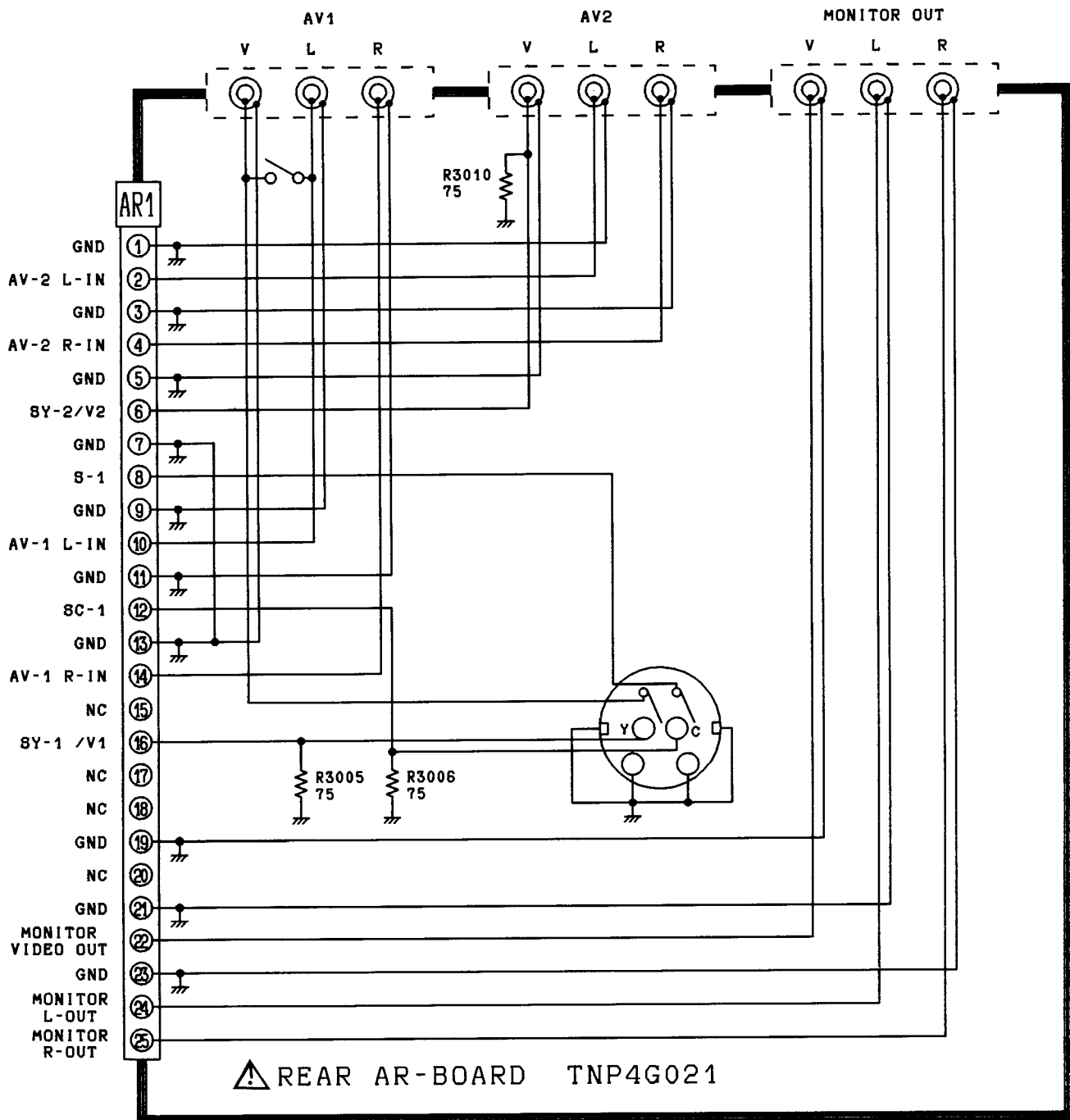
Remote Control EUR641952

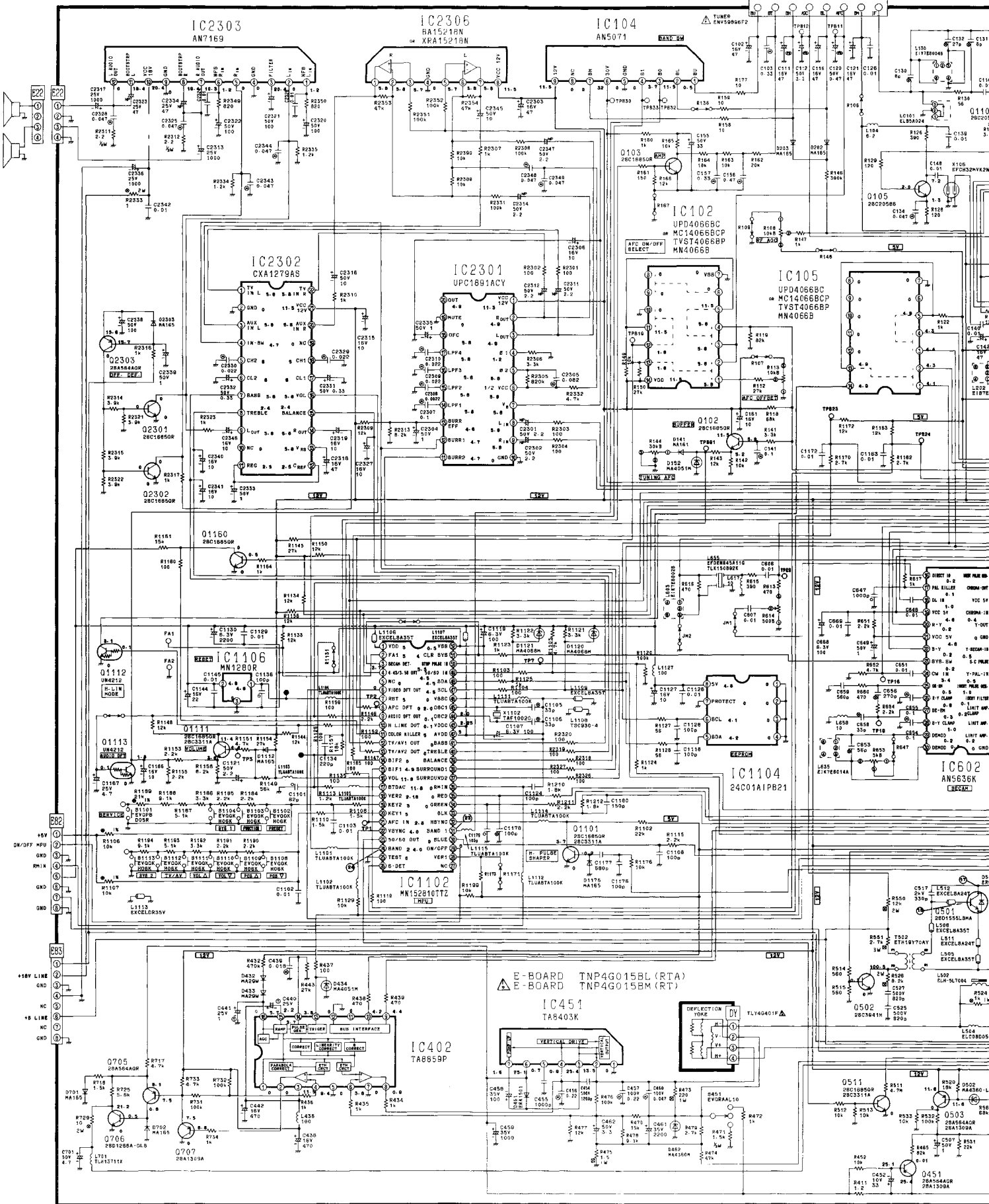


* Parts listed here are not suppliable.

Fig.26

KEY NO.	FUNCTION	DATA CODE	KEY NO.	FUNCTION	DATA CODE	
					ON	OFF
1	POWER	3D	22	CH UP	34	
2	TV/AV	05	23	CH DOWN	35	
3	CH 1	10	24	SURROUND	31	
4	CH 2	11	26	(VTR) POWER	20	3D
5	CH 3	12	27	(VTR) CH UP	22	34
6	CH 4	13	28	(VTR) CH DOWN	23	35
7	CH 5	14	29	(VTR) PLAY	0A	
8	CH 6	15	30	(VTR) STOP	00	
9	CH 7	16	31	(VTR) F.F	03	
10	CH 8	17	32	(VTR) REW	02	
11	CH 9	18	33	(VTR) PAUSE	06	
12	CH 10/0	19	34	(VTR) F.ADV	0C	
13	-/-	3B	35	(VTR) REC	08	
14	OFFTIMER	0F	36	(VTR) REC		
15	MUTE	32				
16	RECALL	39				
17	NORMAL	0C				
18	FUNCTION	06				
19	SOUND FUNC.	07				
20	VOL UP	20				
21	VOL DOWN	21				





E-BOARD TNP4G015BL (RTA)
E-BOARD TNP4G015BM (RT)

