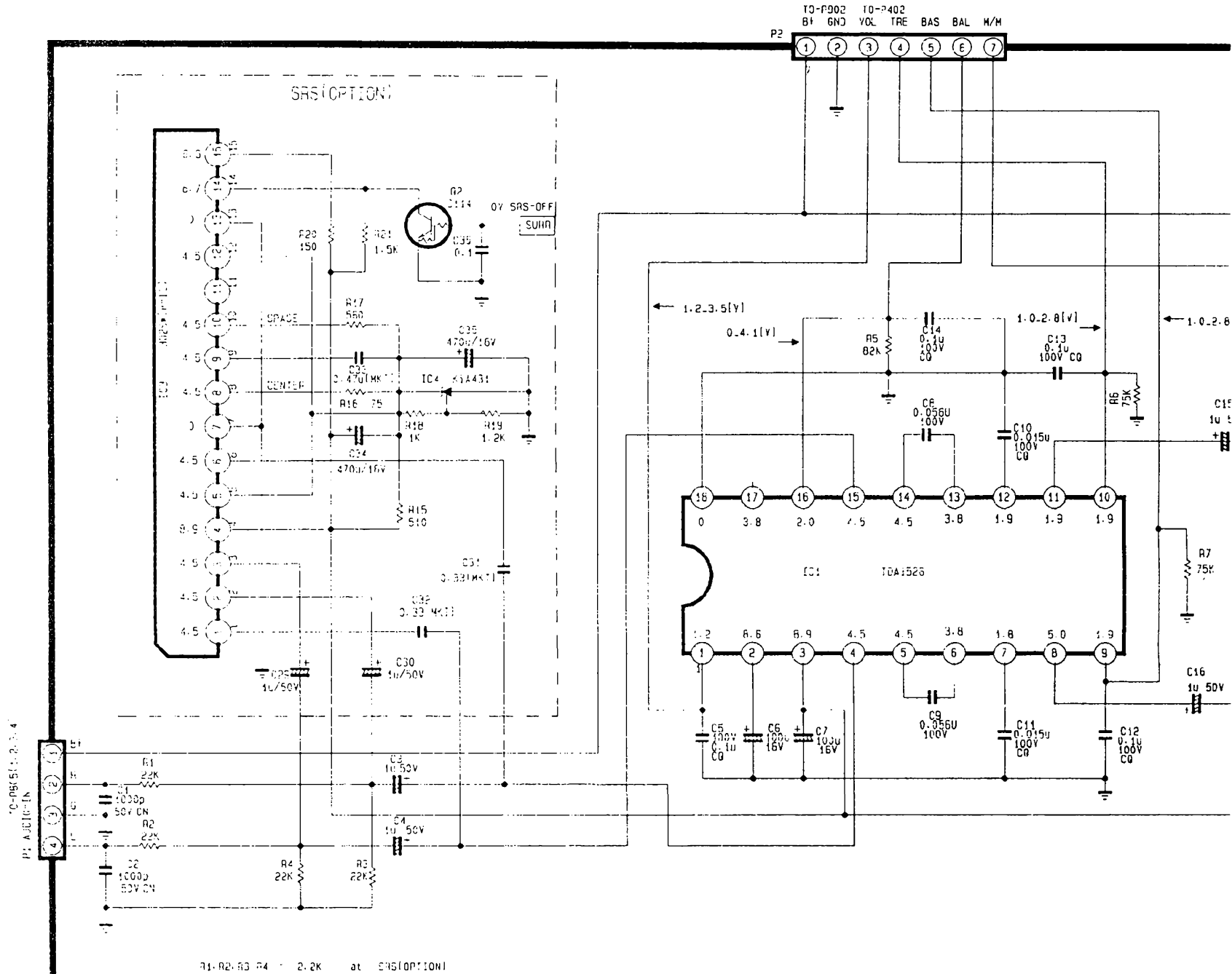
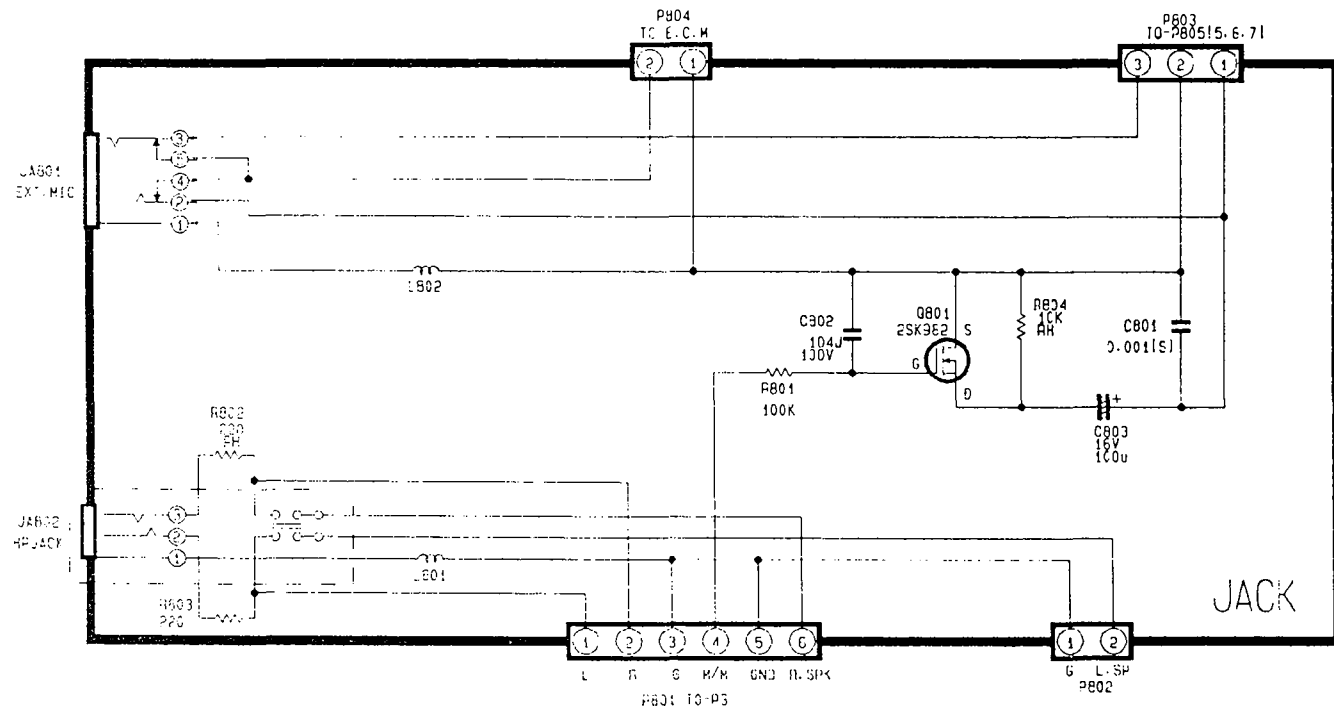


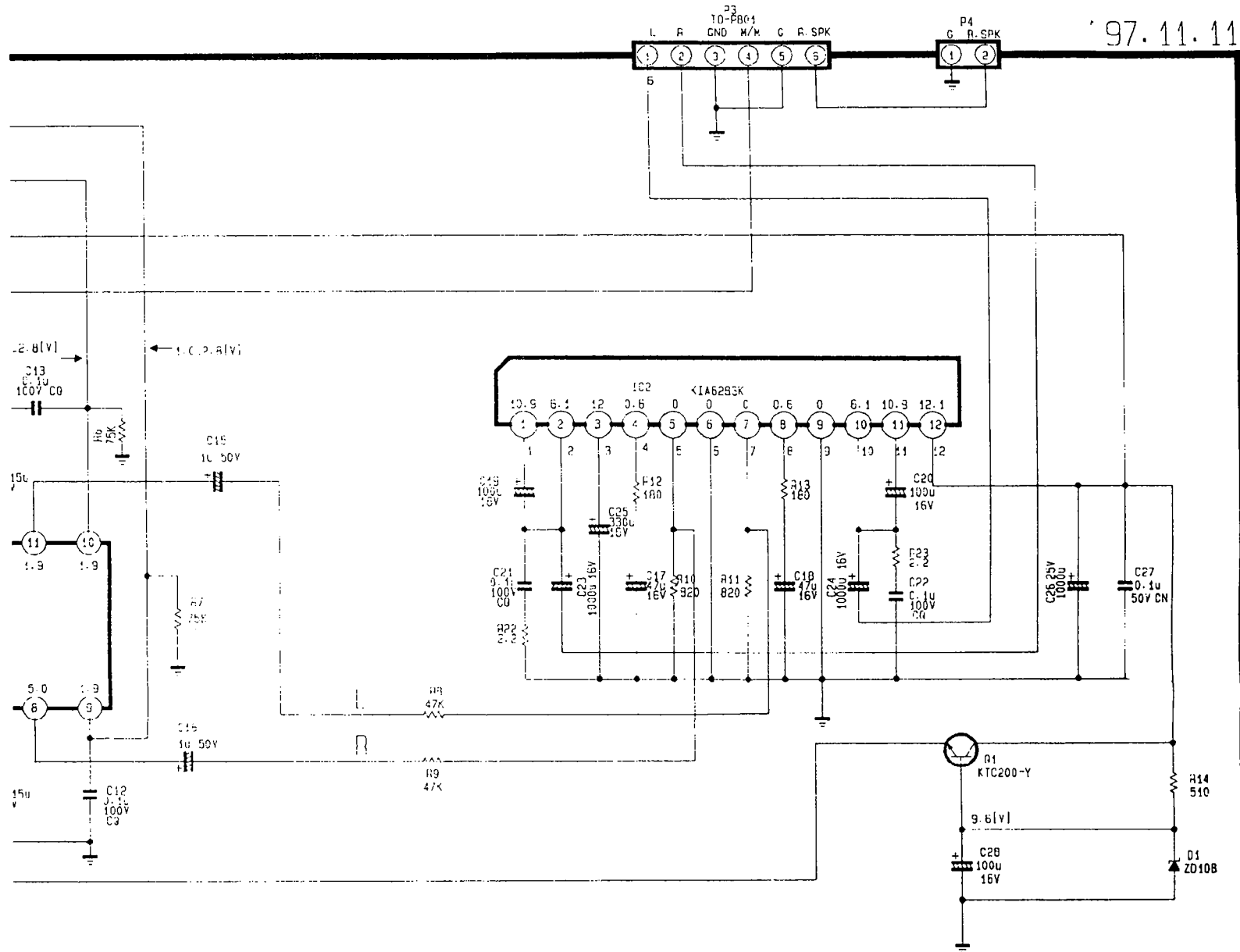
SCHEMATIC DIAGRAM



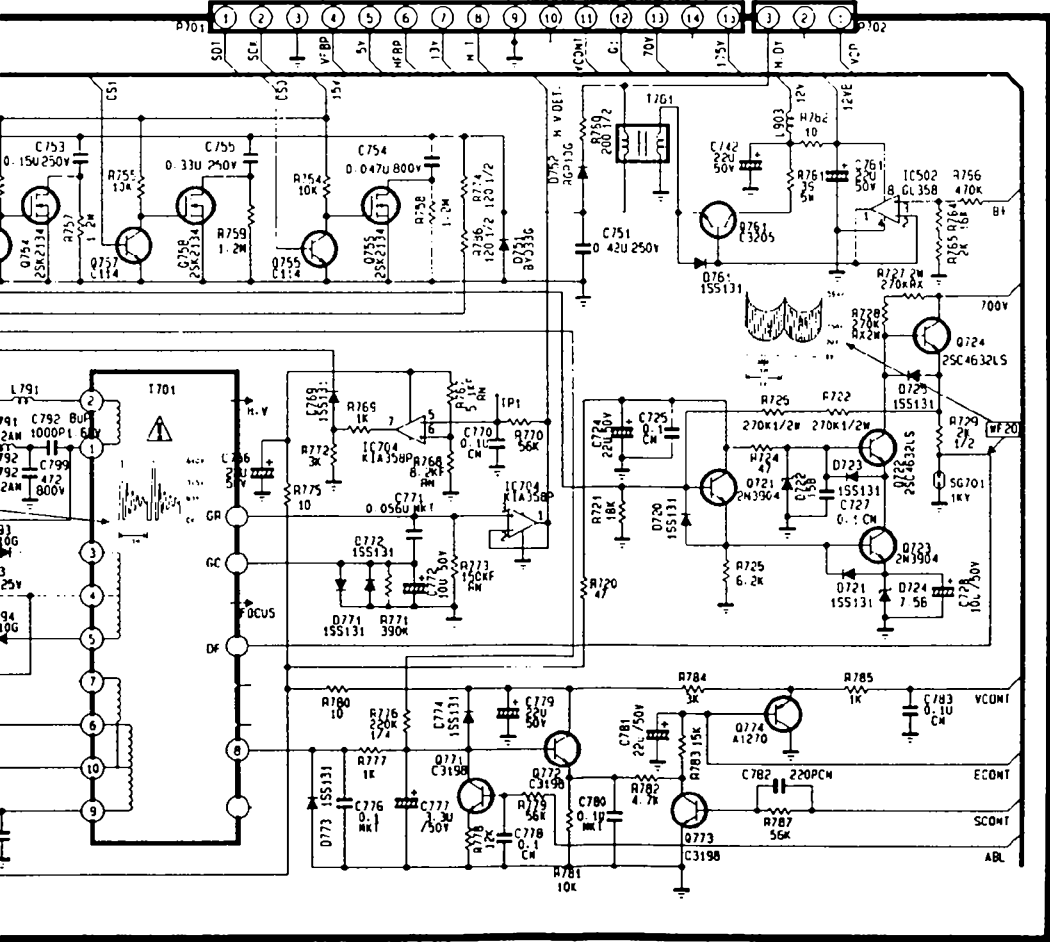
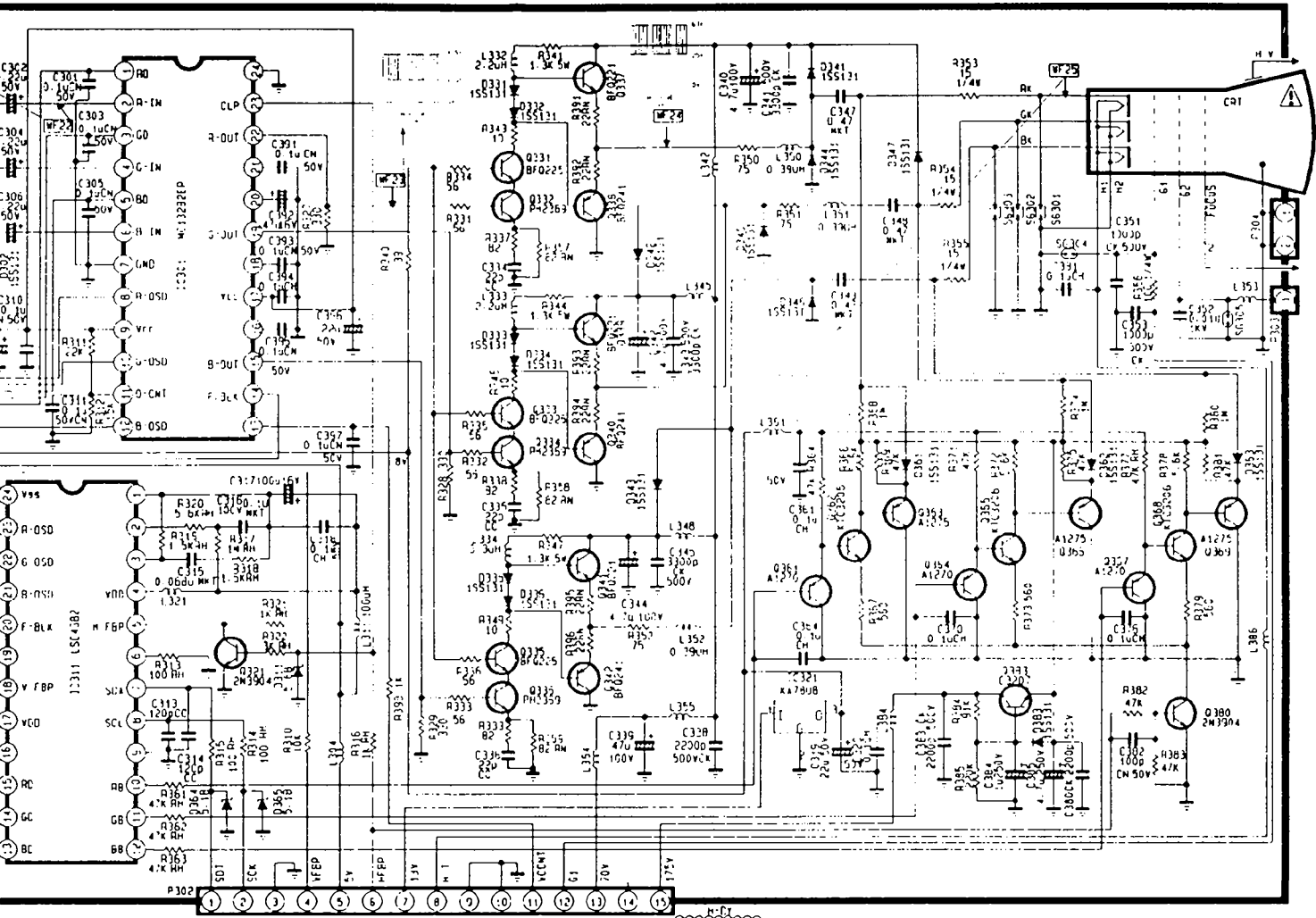


MATIC DIAGRAM


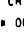
'97.11.11



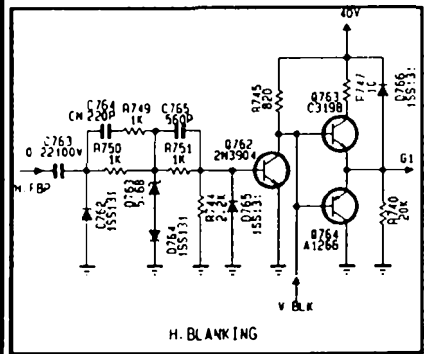
AUDIO



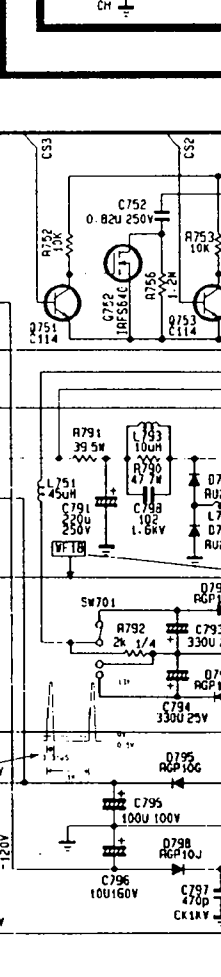
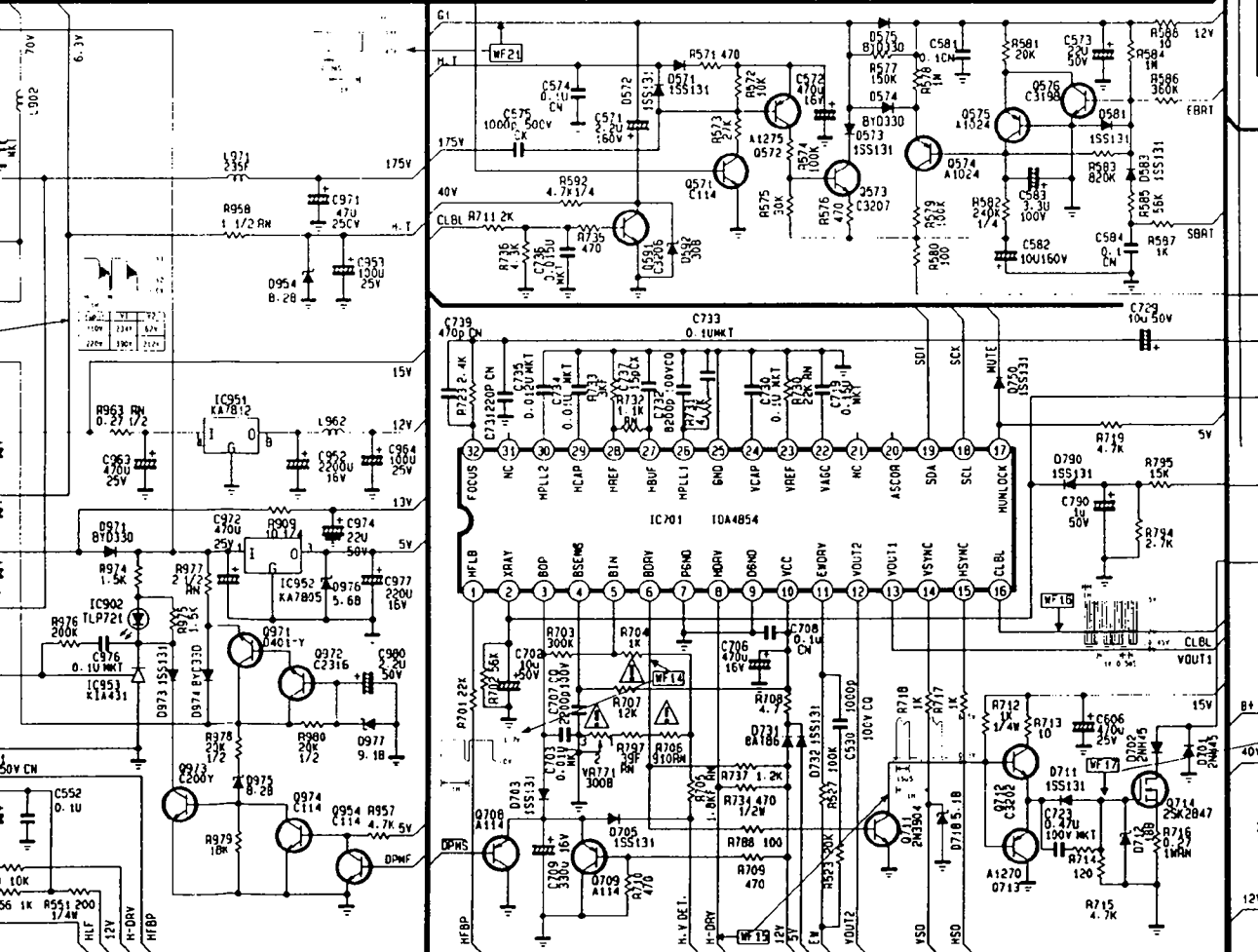
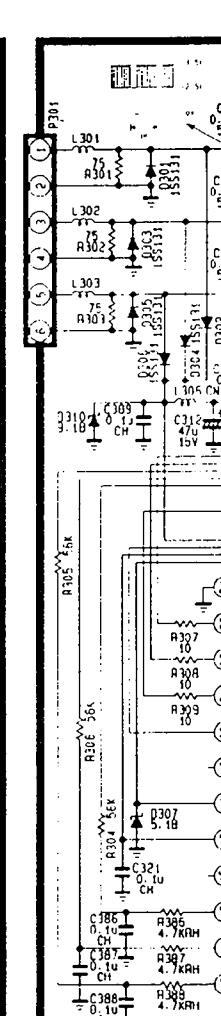
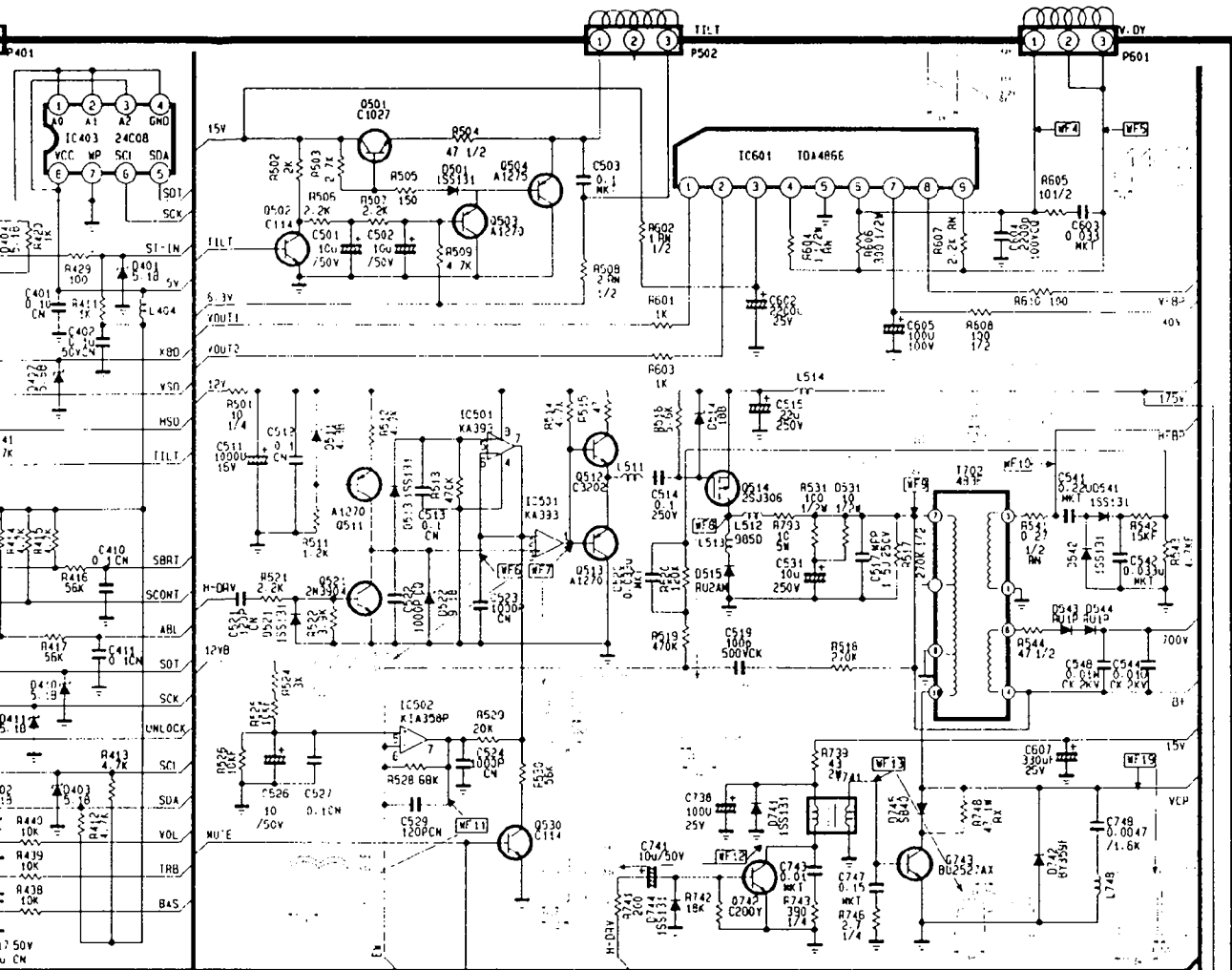
IMPORTANT SAFETY NOTICE

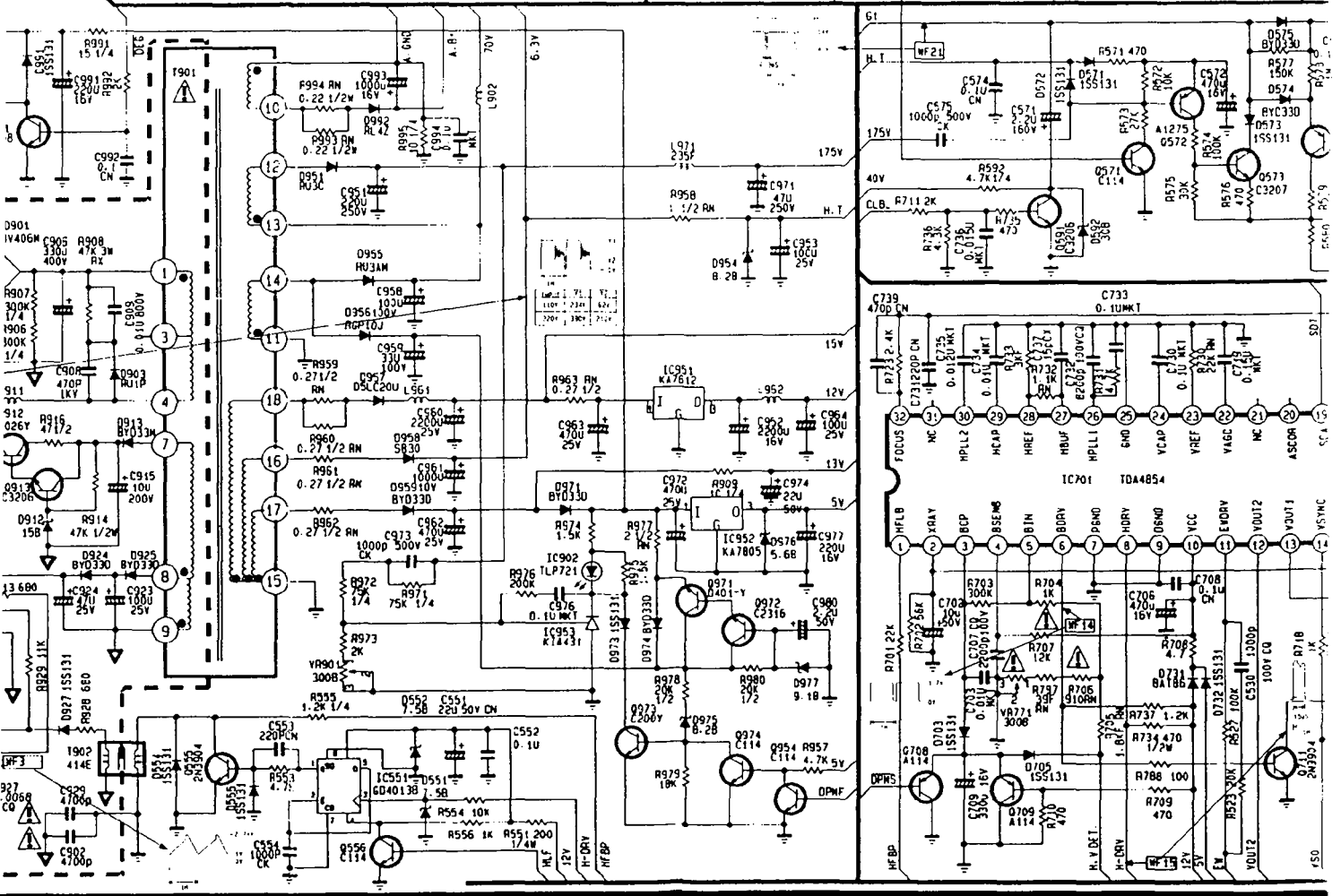
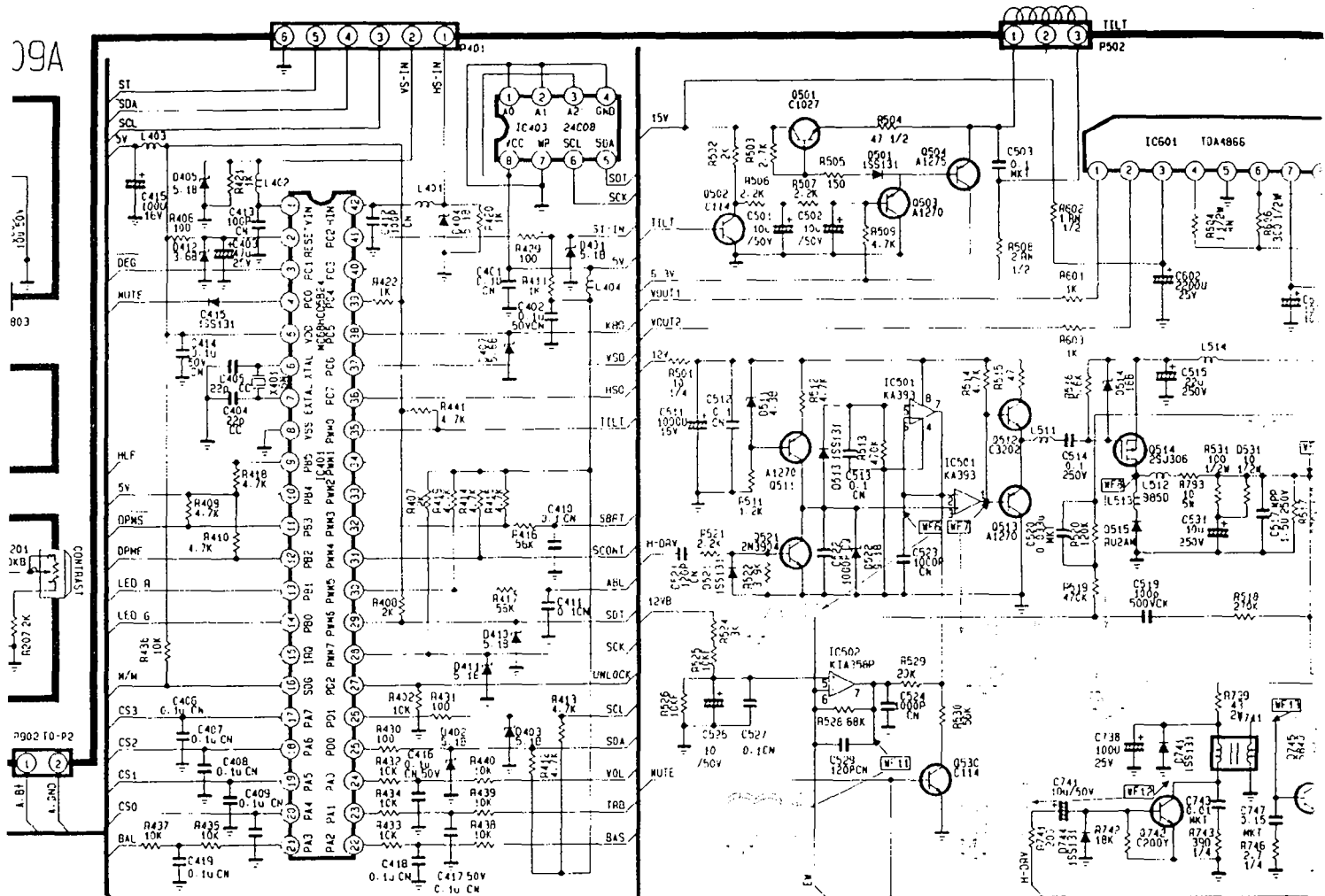
THE  SYMBOL MARK OF THIS SCHEMATIC DIAGRAM INCORPORATES SPECIAL FEATURES IMPORTANT FOR PROTECTION FROM X-RADIATION FIRE AND ELECTRICAL SHOCK HAZARDS. WHEN SERVICING IT IS ESSENTIAL THAT ONLY MANUFACTURES SPECIFIED PARTS BE USED FOR THE CRITICAL COMPONENTS IN THE  SYMBOL MARK OF THE SCHEMATIC.

	DPMS	DPHF	WA:T
NORMAL	M	L	NORMAL
SUSPND	M	L	15W
STAND-BY	L	HEATER ON	5W
OFF	L	HEATER OFF	



H. BLANKING





CM796 P/N: 3854T1700

