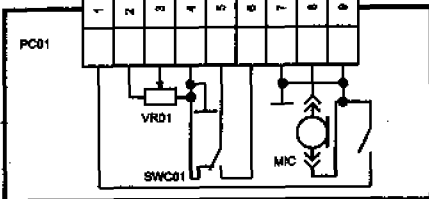
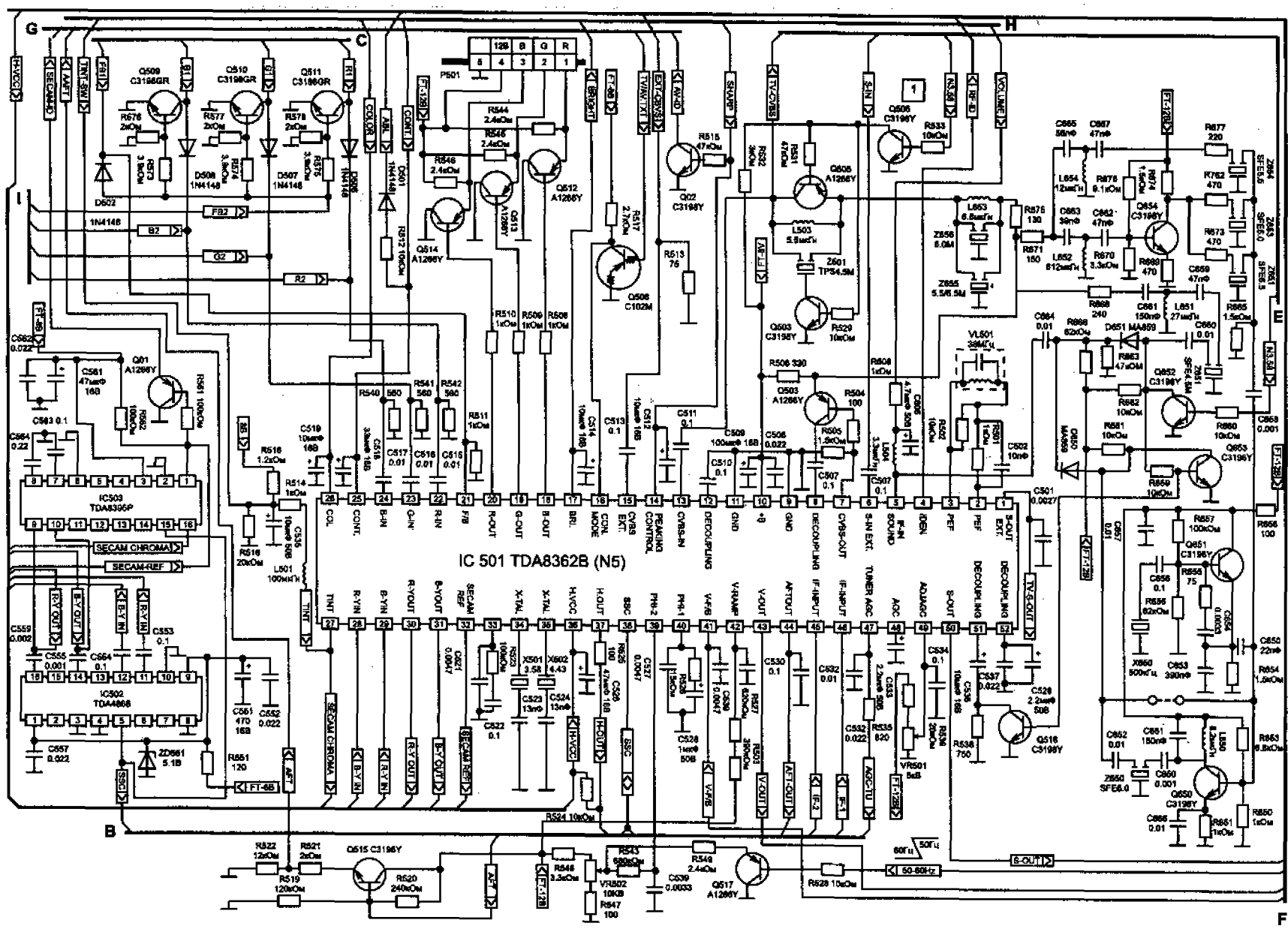


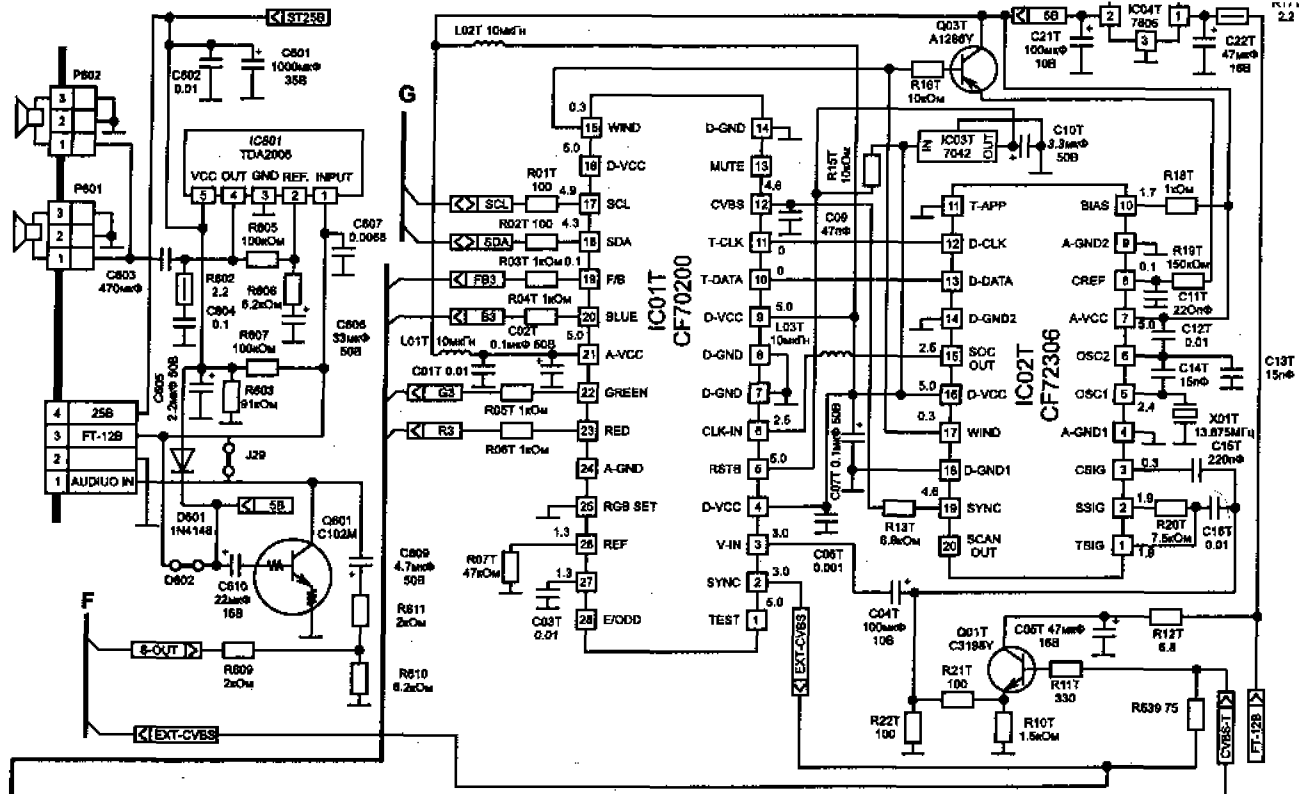
P1003	2SB	1
	12B	2
		3
		4

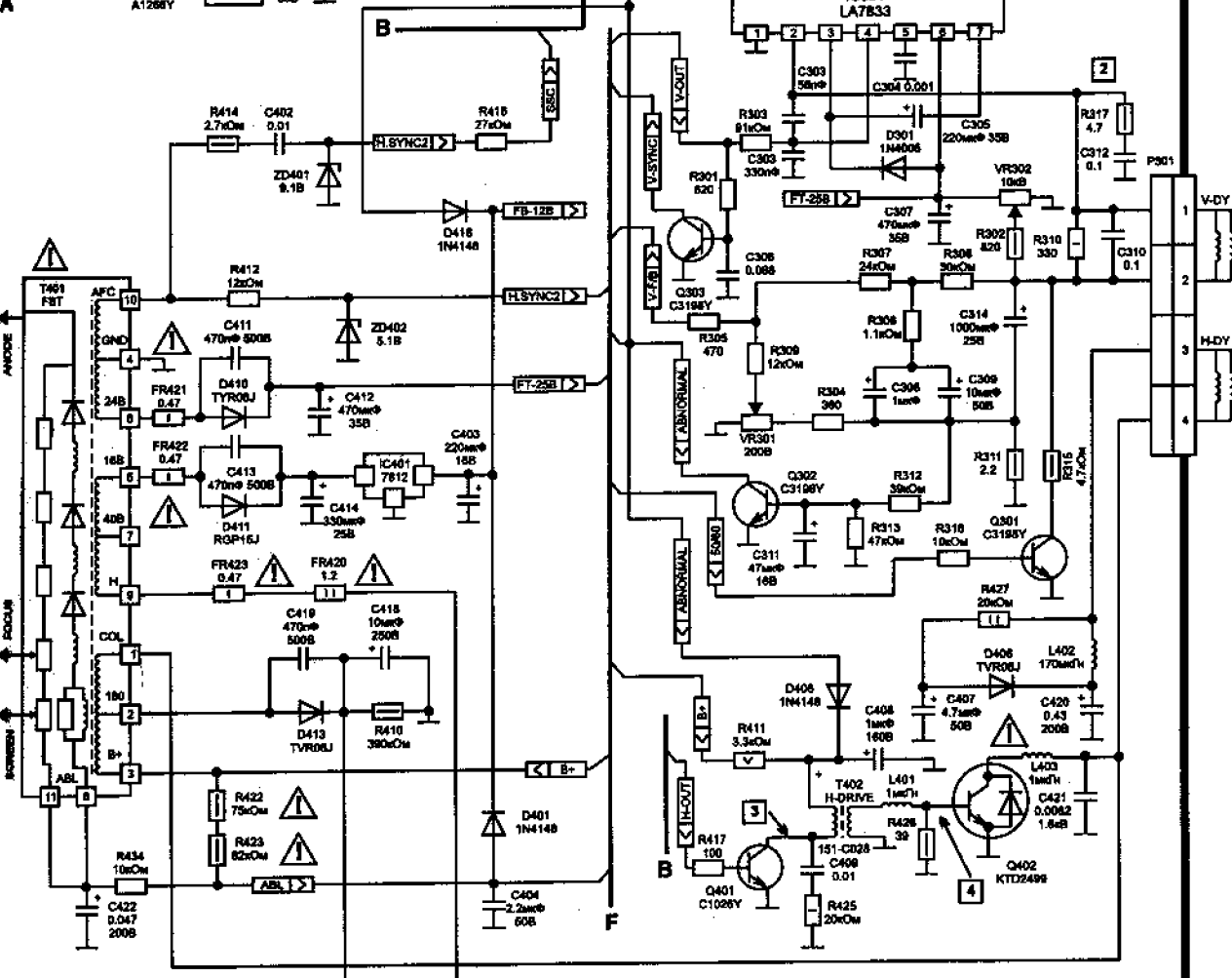
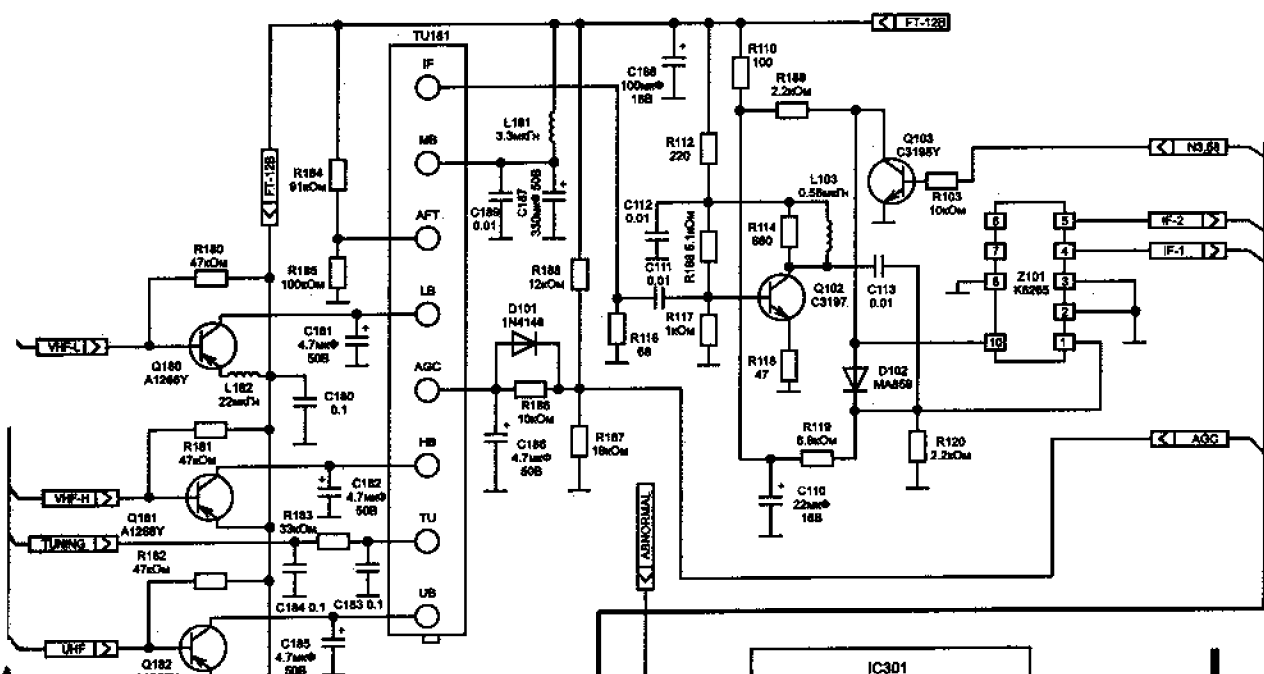
P1002	MUTE	1
	USB	2

P1001	9	MIC
	8	
	7	MIC
	6	SW1
	5	SW2
	4	
	3	VOL1
	2	VOL2
	1	M-SW



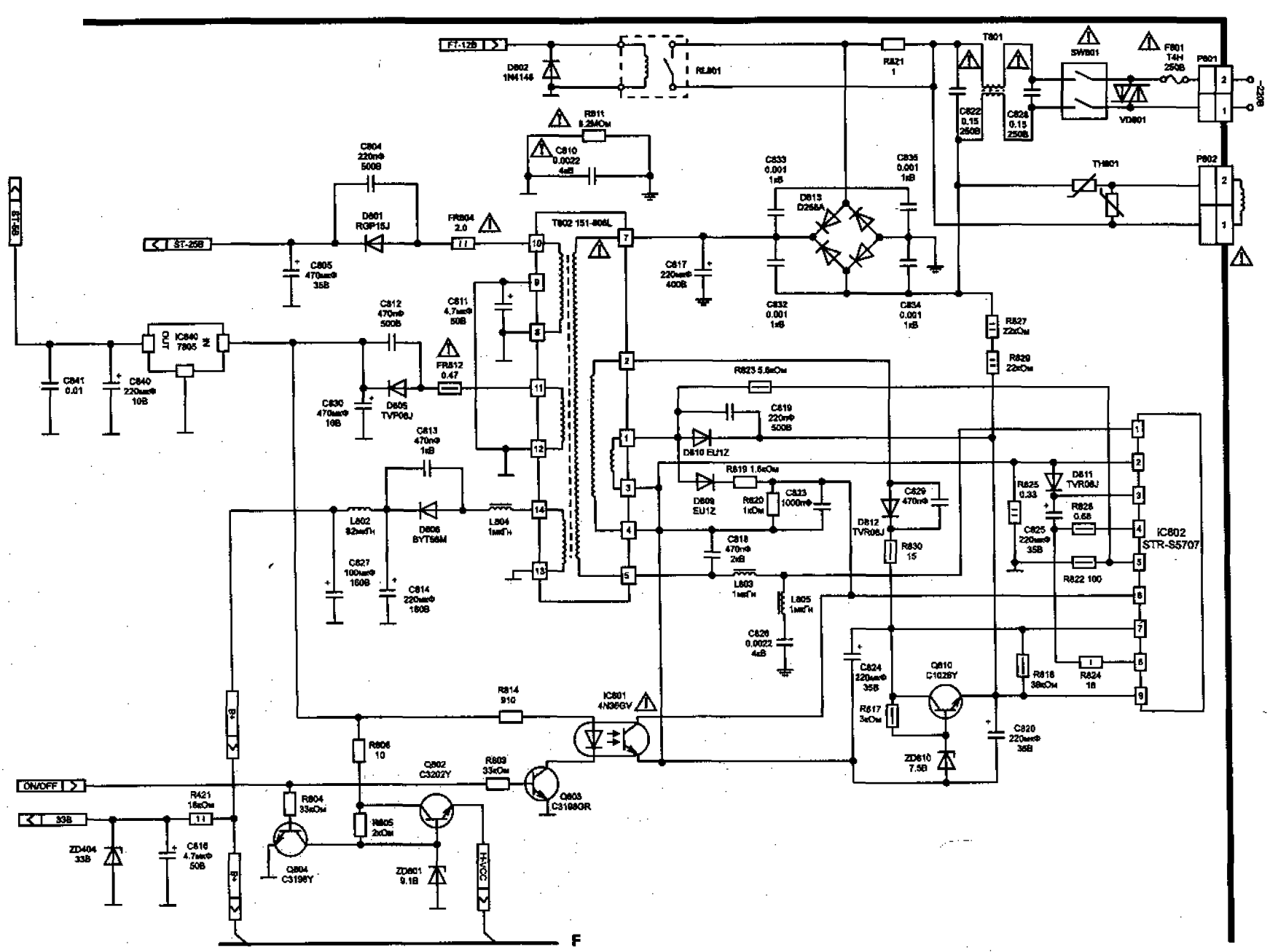


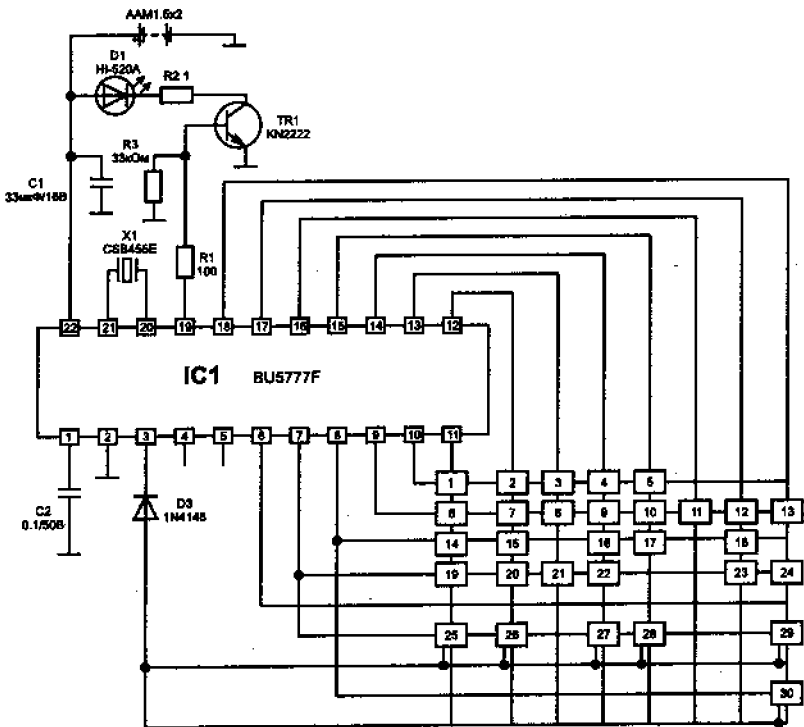




180V	GND	HT
1	2	3
4		

P902





ФУНКЦИЯ	
1	8
2	9
3	Q.VIEW
4	RECALL
5	-/-
6	0
7	1
8	2
9	3
10	4
11	5
12	6
13	7
14	POWER
15	MUTE
16	TV/AV
17	PICTURE
18	SLEEP
19	CH+
20	CH-
21	VOL+
22	VOL-
23	ENTER
24	ENTER
25	ENTER
26	ENTER
27	SET-UP
28	ENTER
29	SMC
30	PSM