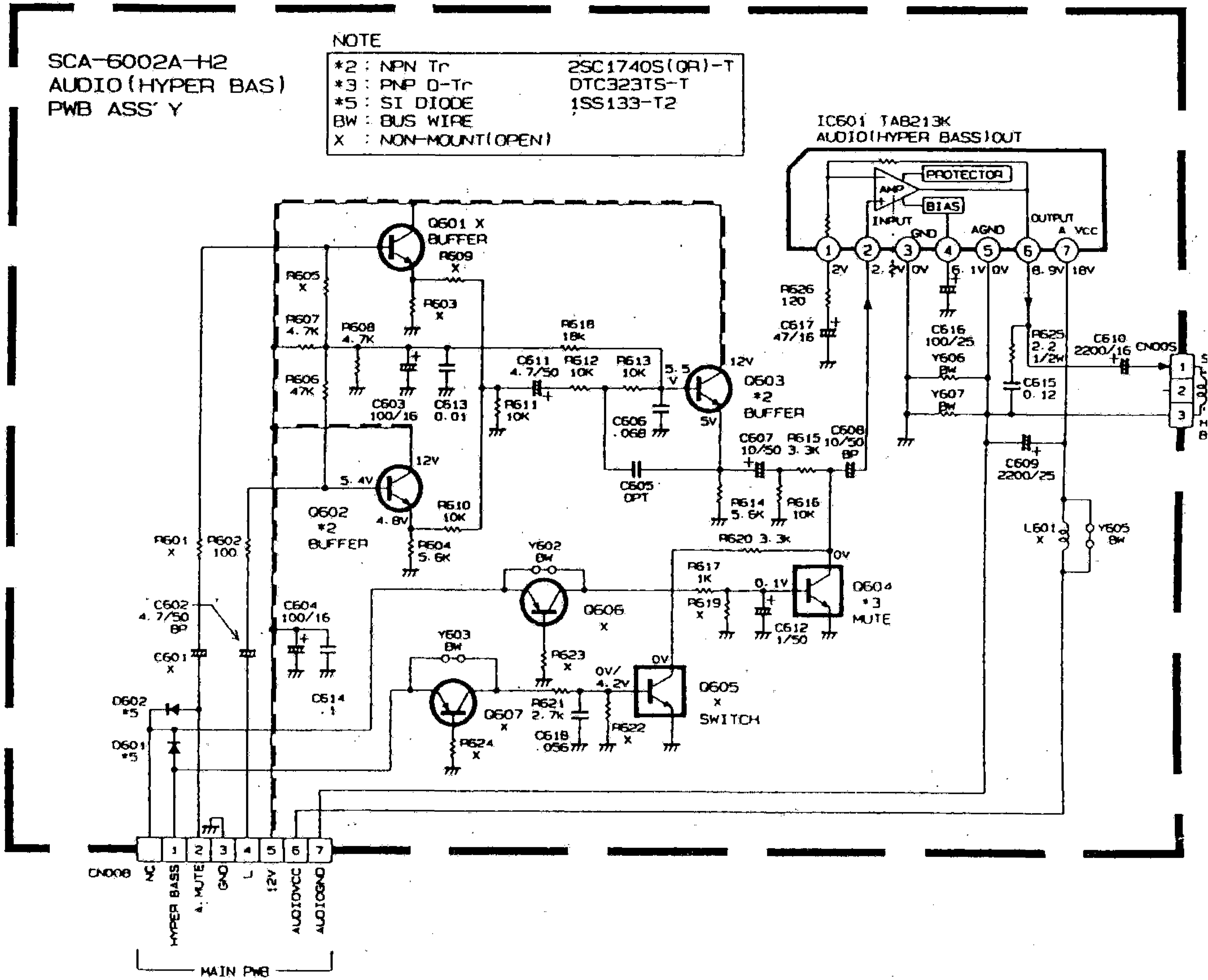


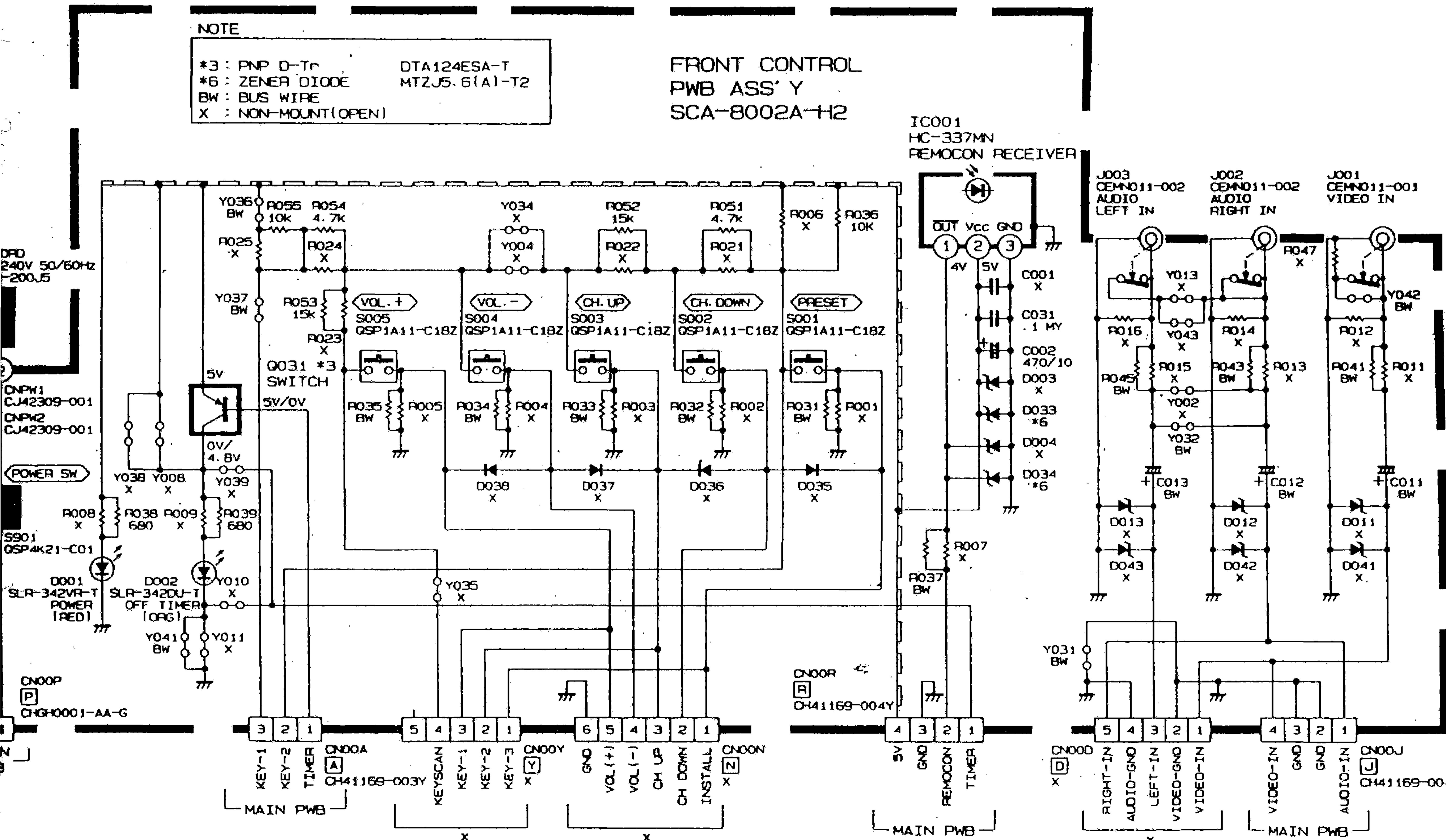
AUDIO (HYPER BASS) PWB CIRCUIT DIAGRAM

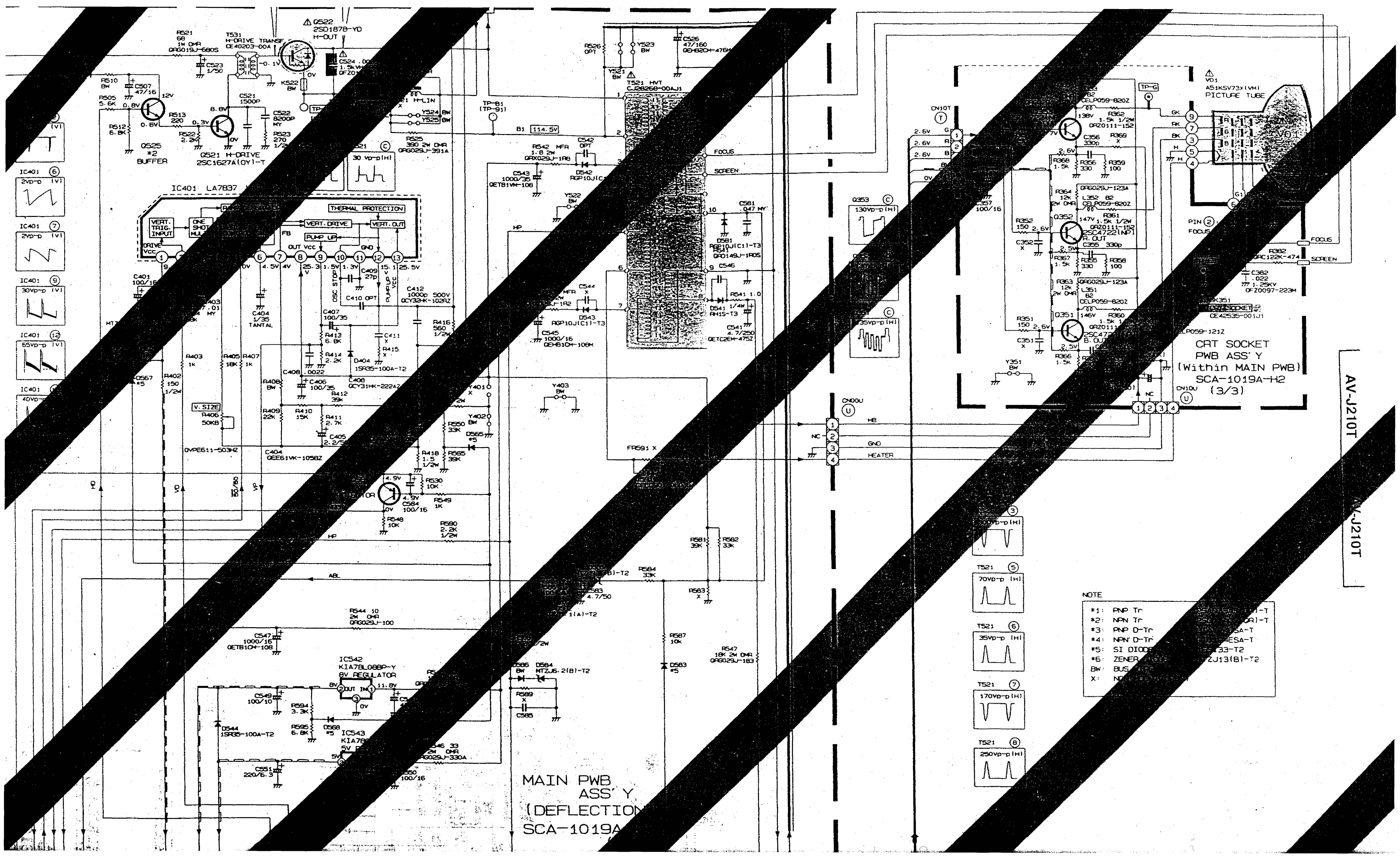
Refer to the following PWB pattern. : AUDIO (HYPER BASS) PWB PATTERN : page2-16



FRONT CONTROL PWB CIRCUIT DIAGRAM

Refer to the following PWB pattern. : FRONT CONTROL PWB PATTERN : page2-15

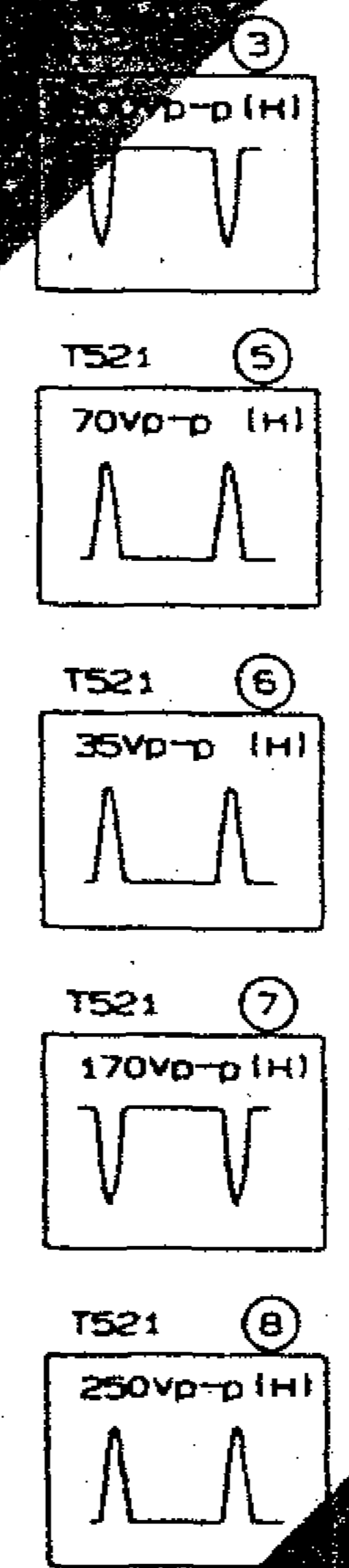




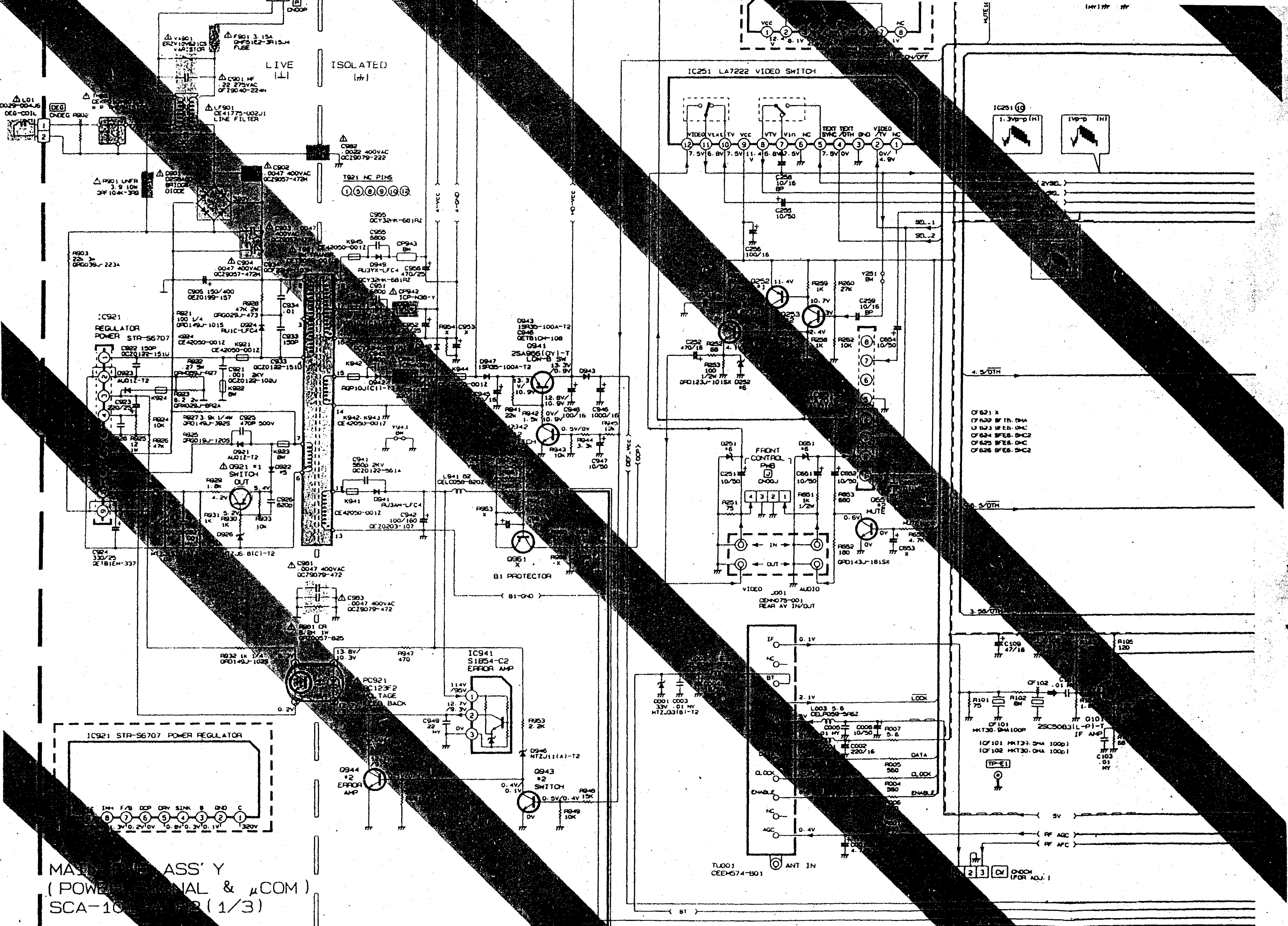
MAIN PWB ASS'Y
(DEFLECTION)
SCA-1019A

CRT SOCKET
PWB ASS'Y
(Within MAIN PWB)
SCA-1019A-H2
(3/3)

- NOTE
- *1: PNP Tr
 - *2: NPN Tr
 - *3: PNP D-Tr
 - *4: NPN D-Tr
 - *5: SI DIODE
 - *6: ZENER
 - BW: BUS
 - X: NO CONNECTION



AV-J210T



MAIN CLASS 'Y
 (POWER SUPPLY & μCOM)
 SCA-10 (1/3)

- CF621 X
- CF622 10K
- CF623 10K
- CF624 10K
- CF625 10K
- CF626 10K

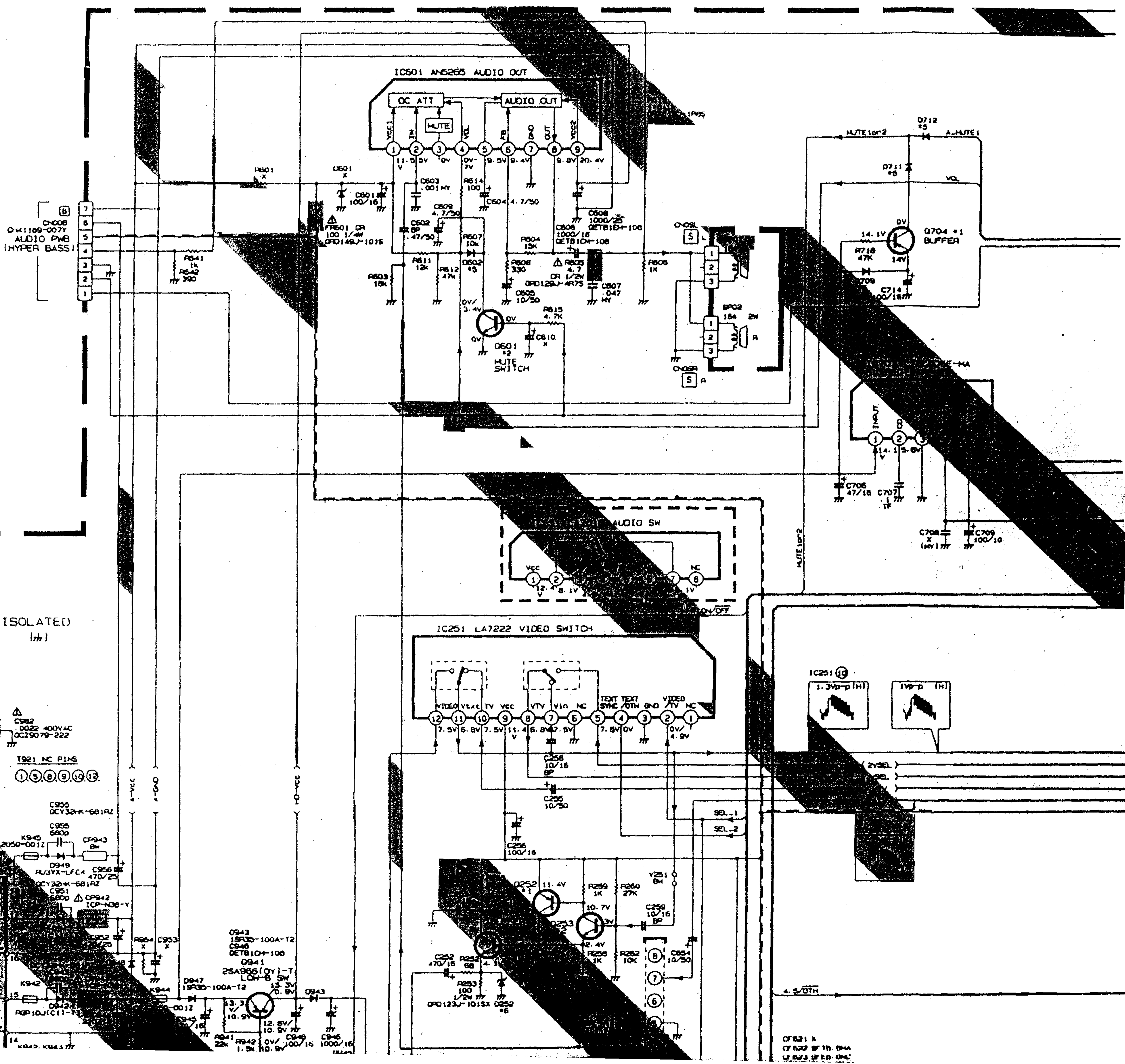
R101 75
 R102 5K
 R103 1K
 R104 1K
 R105 120

C101 MKT30.0M 100P
 C102 MKT30.0M 100P
 C103 0.1
 C104 0.1

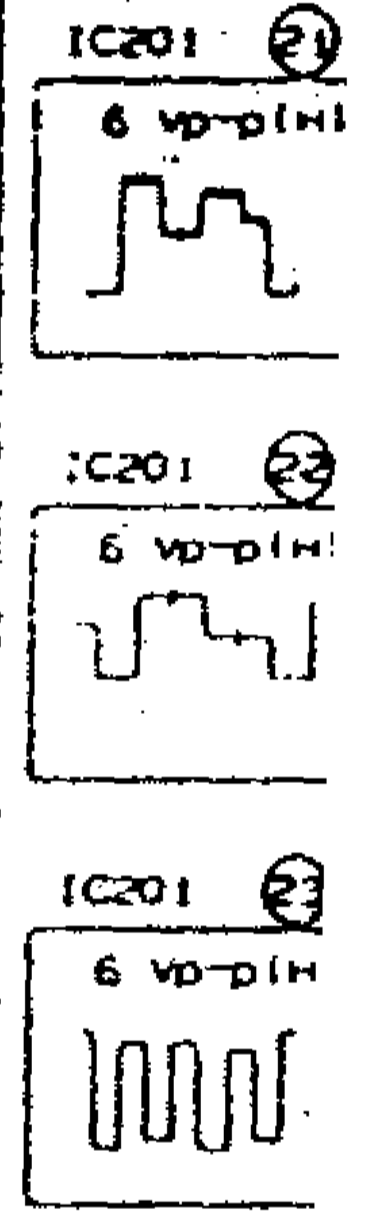
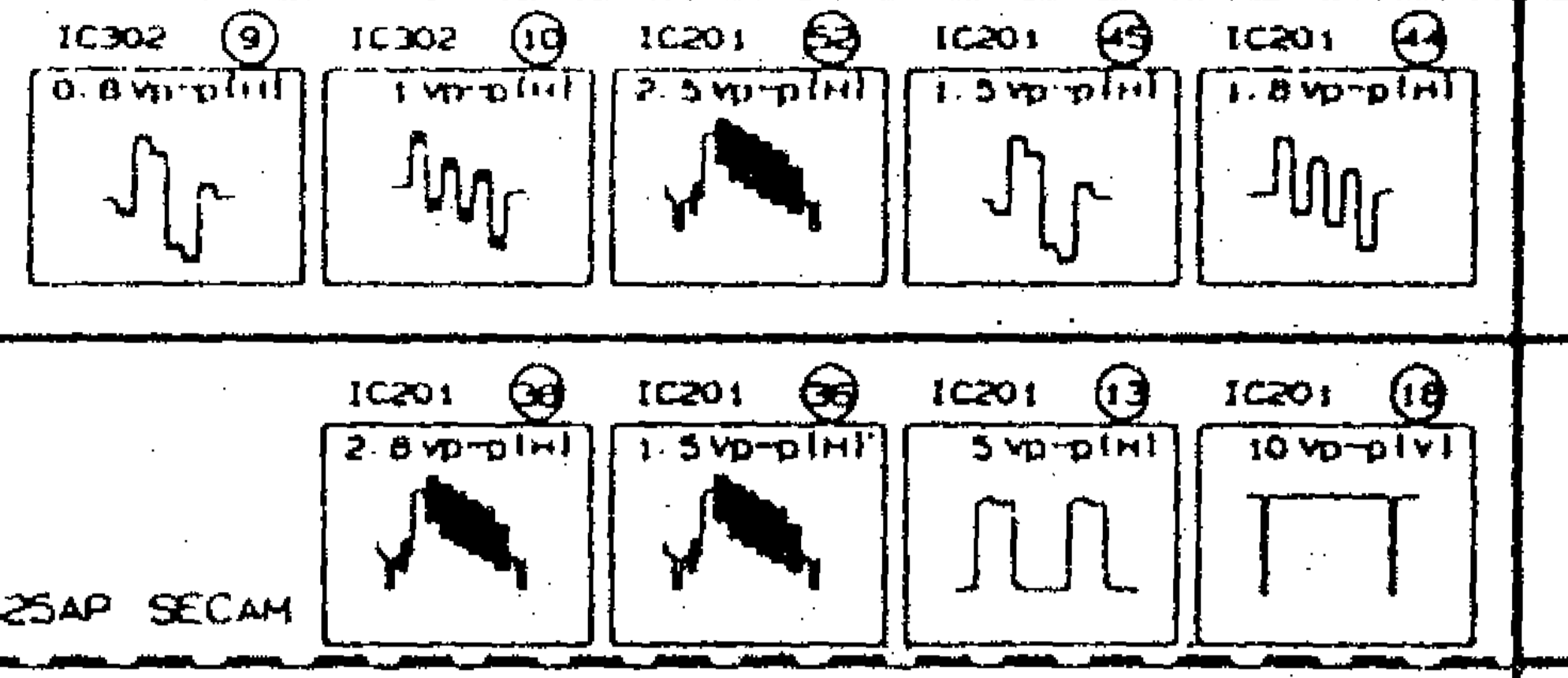
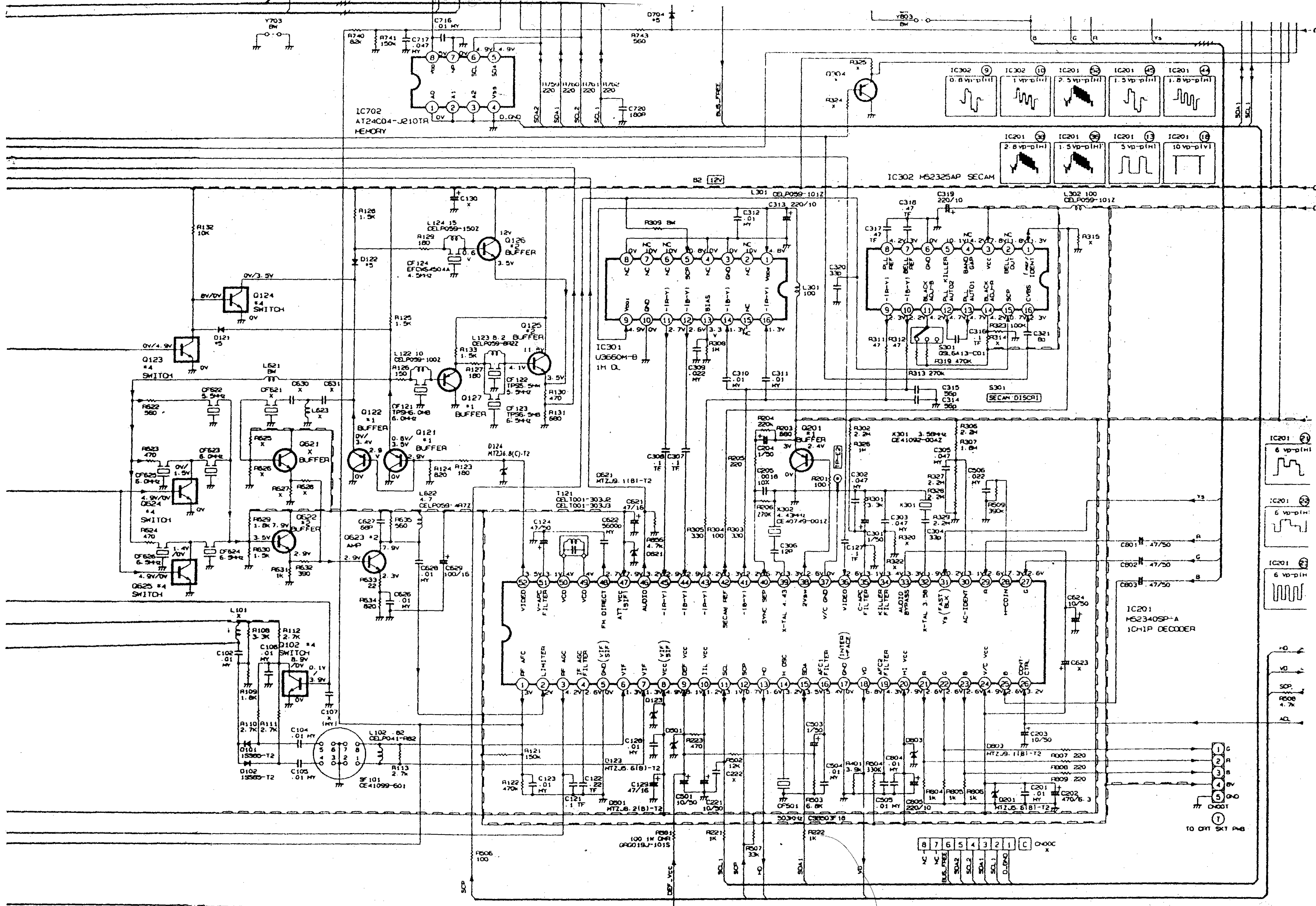
TP-E1
 2 3 4 5 6 7 8 9 10 11 12 13 14 15 16 17 18 19 20 21 22 23 24 25 26 27 28 29 30 31 32 33 34 35 36 37 38 39 40 41 42 43 44 45 46 47 48 49 50 51 52 53 54 55 56 57 58 59 60 61 62 63 64 65 66 67 68 69 70 71 72 73 74 75 76 77 78 79 80 81 82 83 84 85 86 87 88 89 90 91 92 93 94 95 96 97 98 99 100

PWB / CRT SOCKET PWB CIRCUIT DIAGRAMS

- : PNP Tr
- : NPN Tr
- : PNP D-Tr
- : NPN D-Tr
- : SI DIODE
- : ZENER DIODE
- : BUS WIRE
- : NON-MOUNT (OPEN)

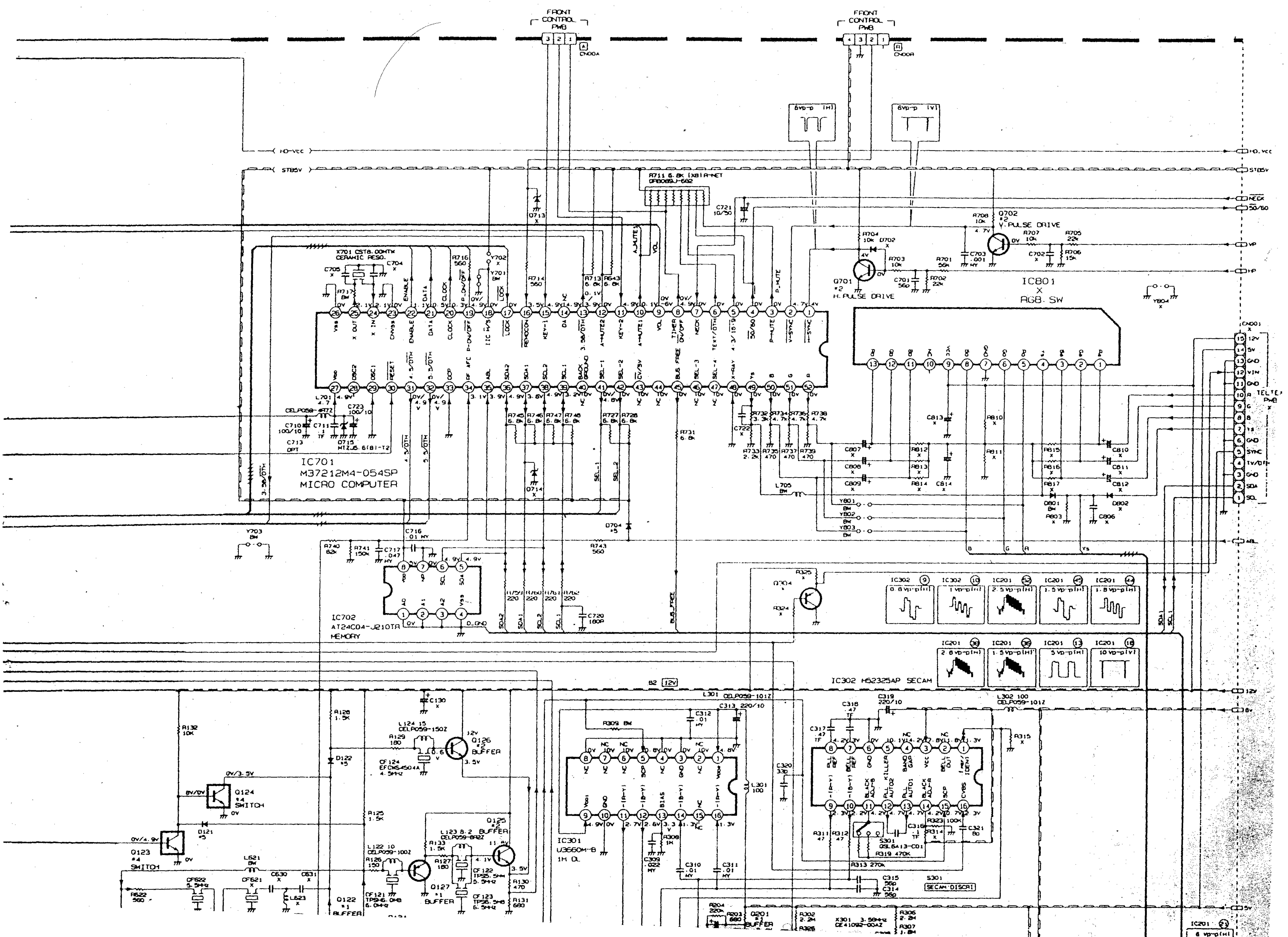


07521 X
07522 BY 15. 094
07523 BY ED. 094



IC201 M52340SP-A 1CH-1P DECODER

10 PIN SKT P46



FRONT CONTROL PWB
3 2 1
D700A

FRONT CONTROL PWB
4 3 2 1
D700A

HD-VCC

STB5V

HD-VCC

STB5V

IC701
M37212M4-054SP
MICRO COMPUTER

IC801
RGB SW

IC702
AT24C04-U210TR
MEMORY

IC301
U2660M-B
IH D

IC302
M52325AP SECAM

IC201
SECAM DISCR

Q123
SWITCH

Q124
SWITCH

IC121
BUFFER

IC122
BUFFER

IC123
BUFFER

IC124
BUFFER

IC201
SECAM DISCR