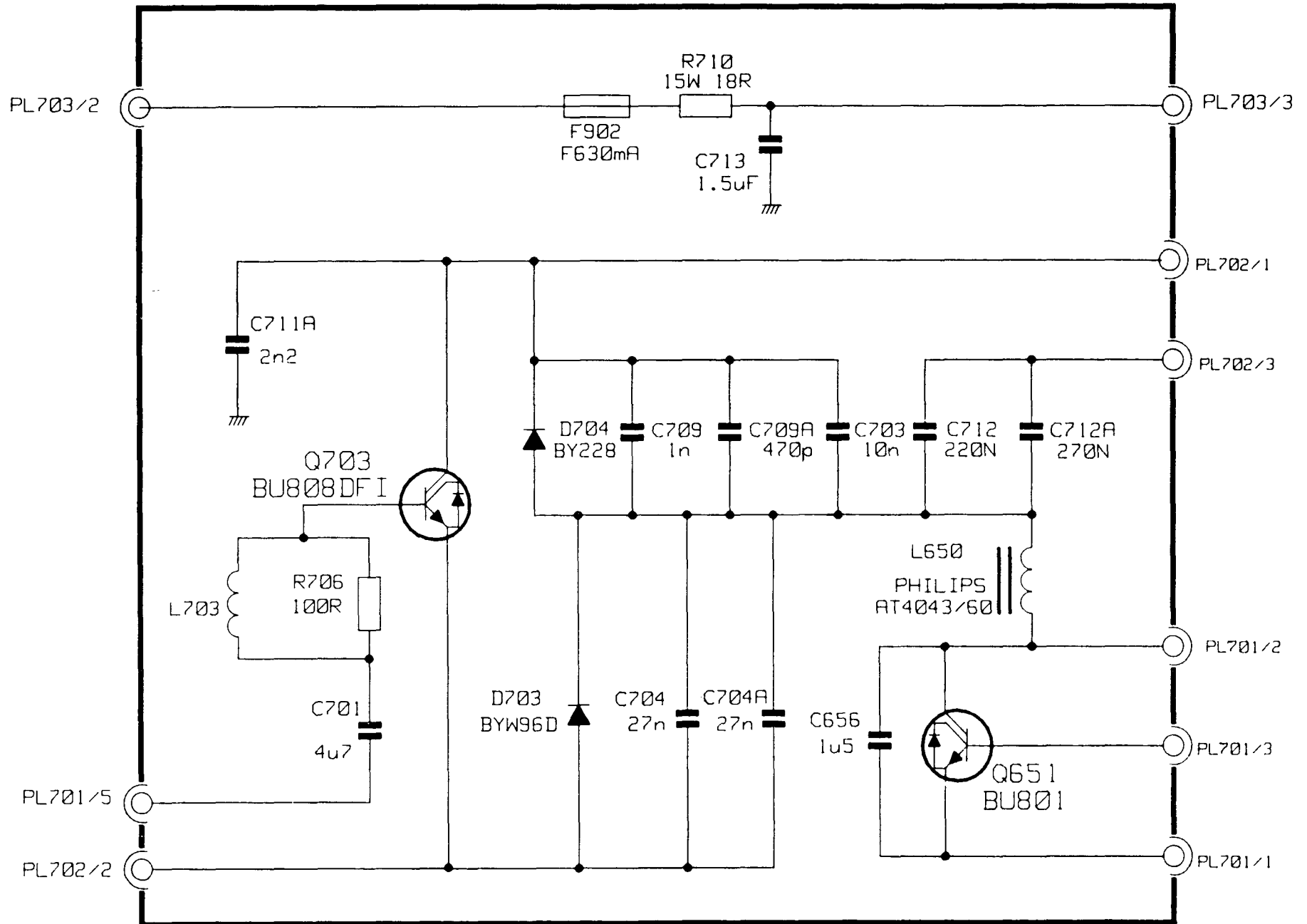
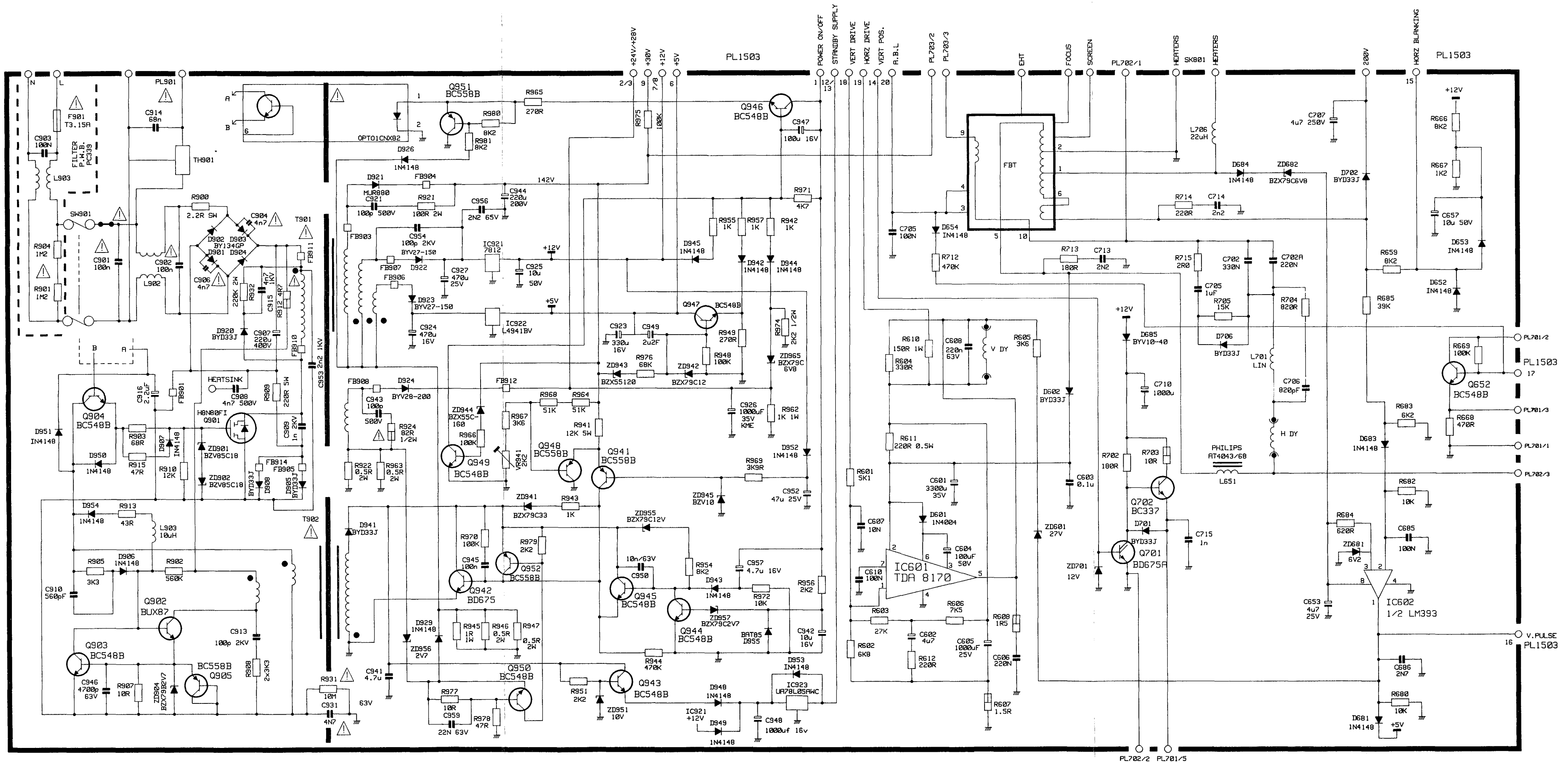


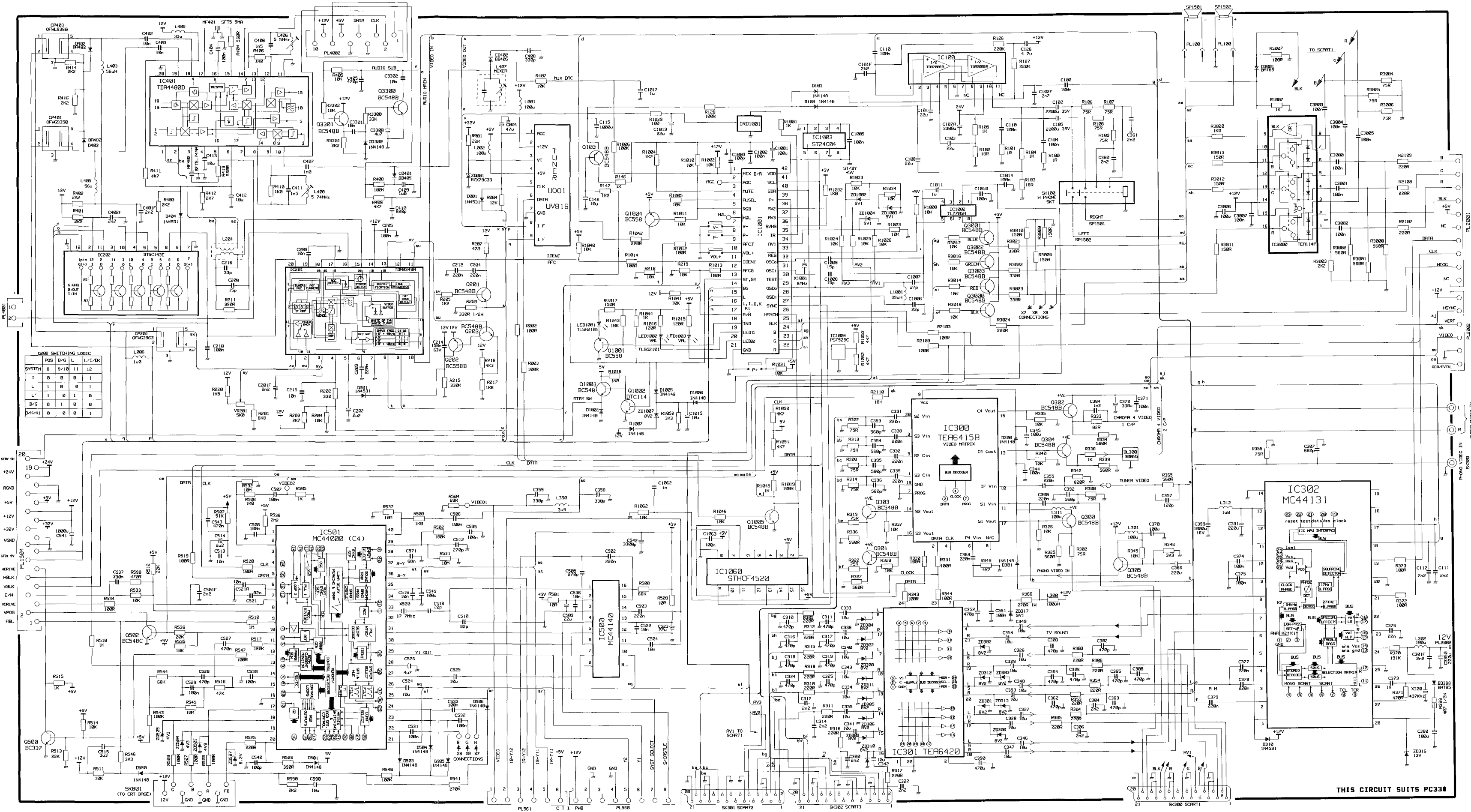
REMOTE CONTROL HANDSET CIRCUIT



EAST/WEST CORRECTION CIRCUIT



POWER SUPPLY AND DEFLECTION CIRCUIT
(CL25/2860TAN)

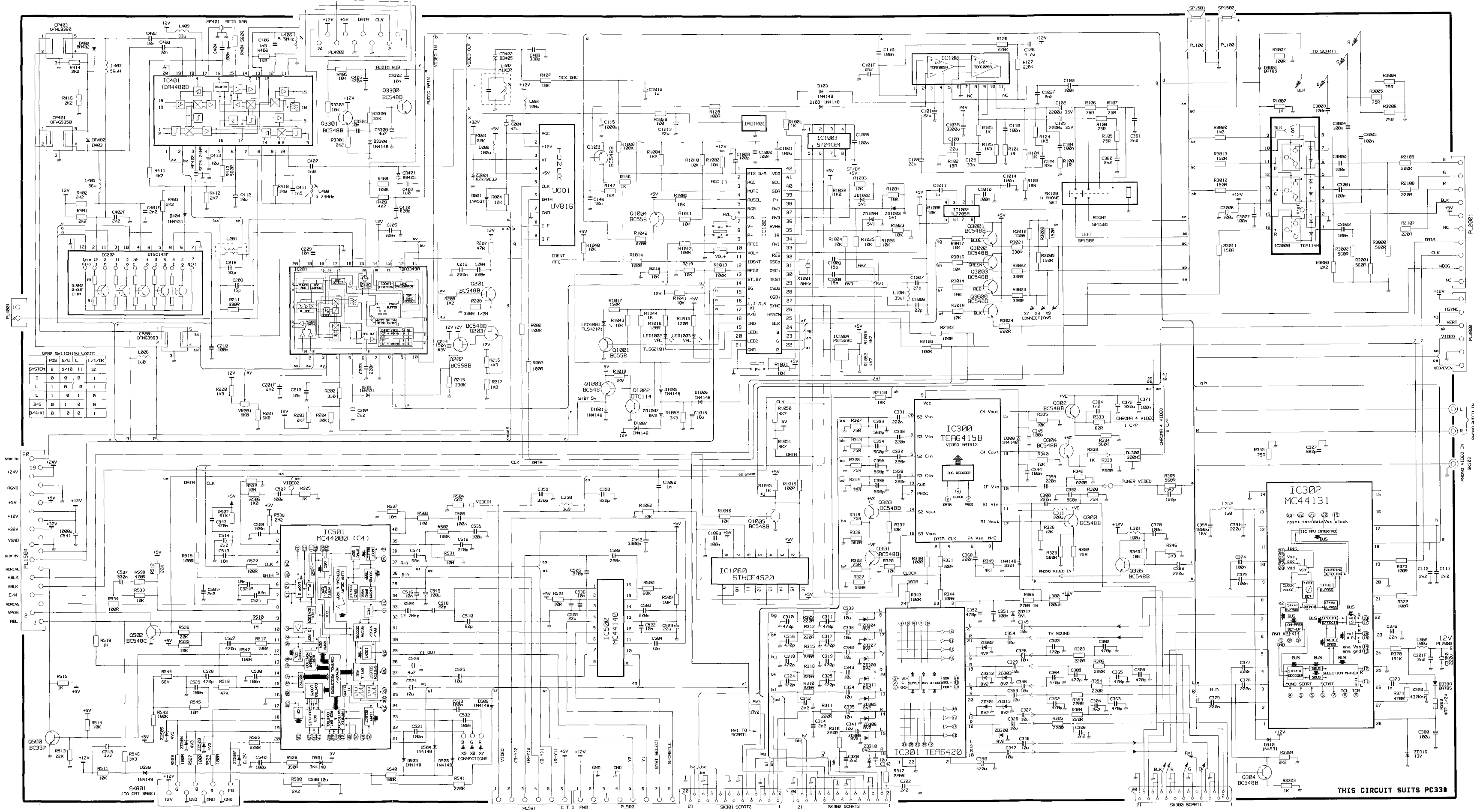


0202 SWITCHING LOGIC

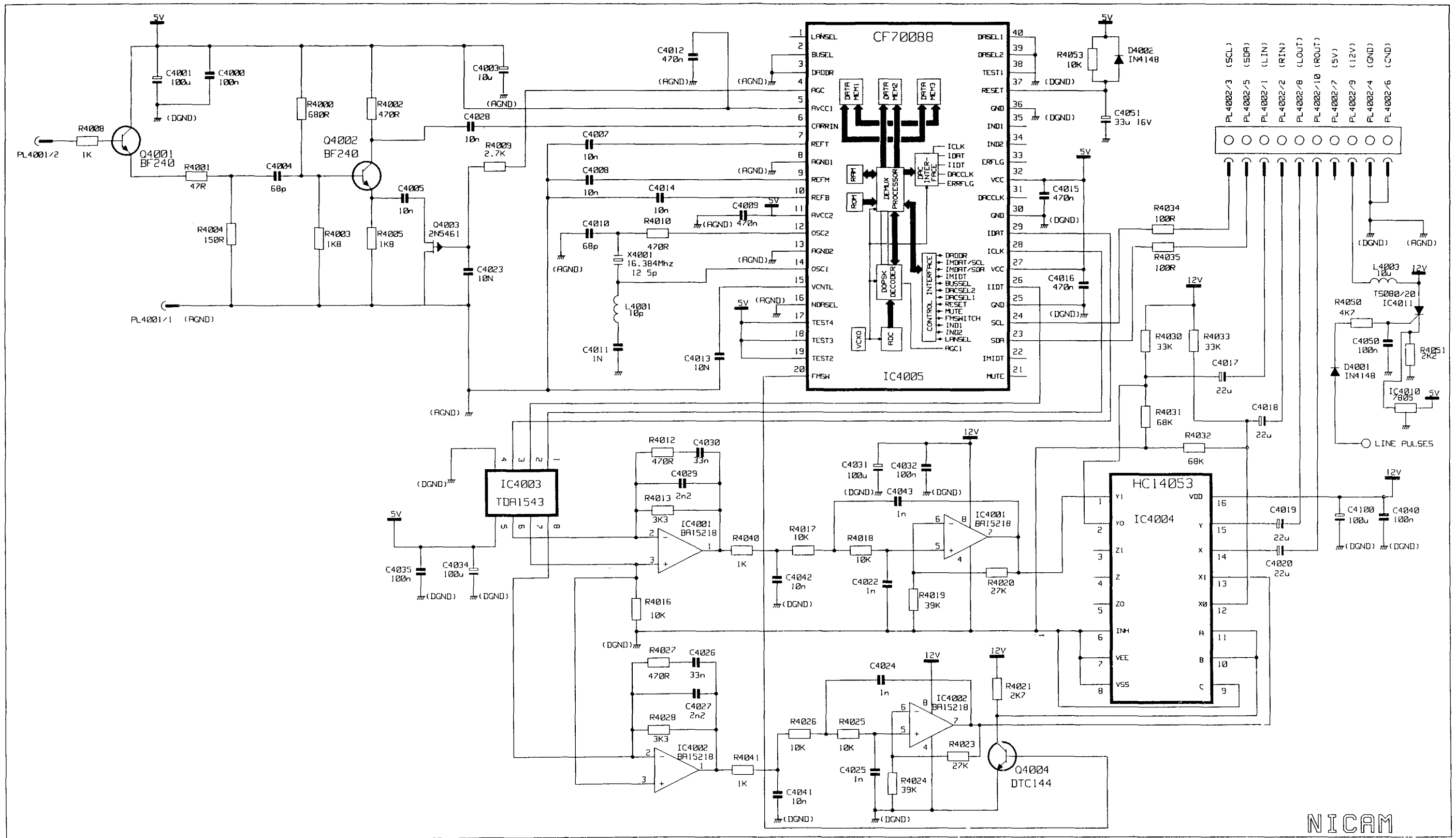
SYSTEM	0	9/10	11	12
I	0	0	0	1
L	1	0	0	1
L'	1	0	1	0
B/G	0	1	0	0
B/G'	0	0	0	1

SIGNAL AND CONTROL CIRCUIT
(CL25/2860TAN)

THIS CIRCUIT SUITS PC338

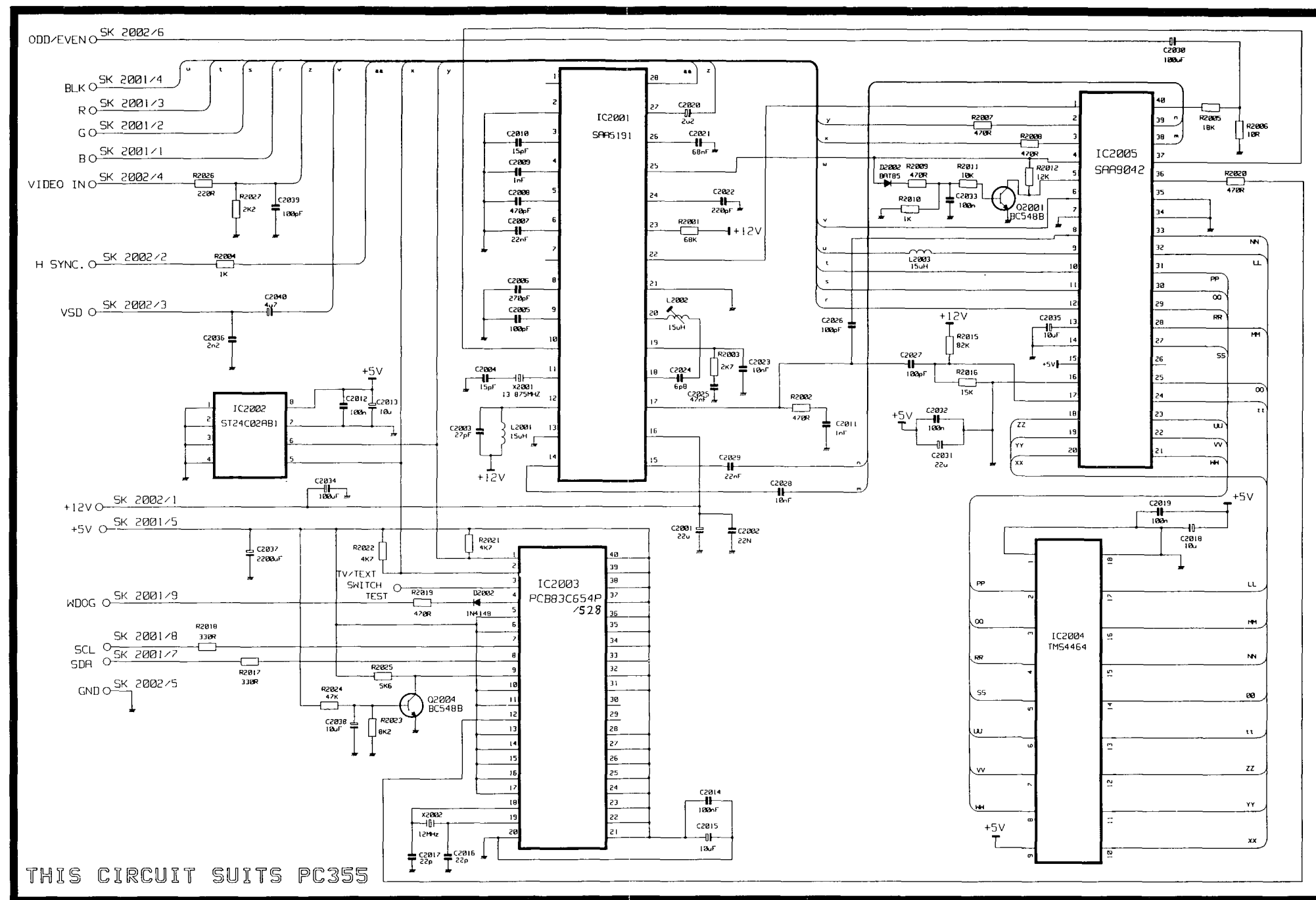


SIGNAL AND CONTROL CIRCUIT
(CL25/2864TAN)



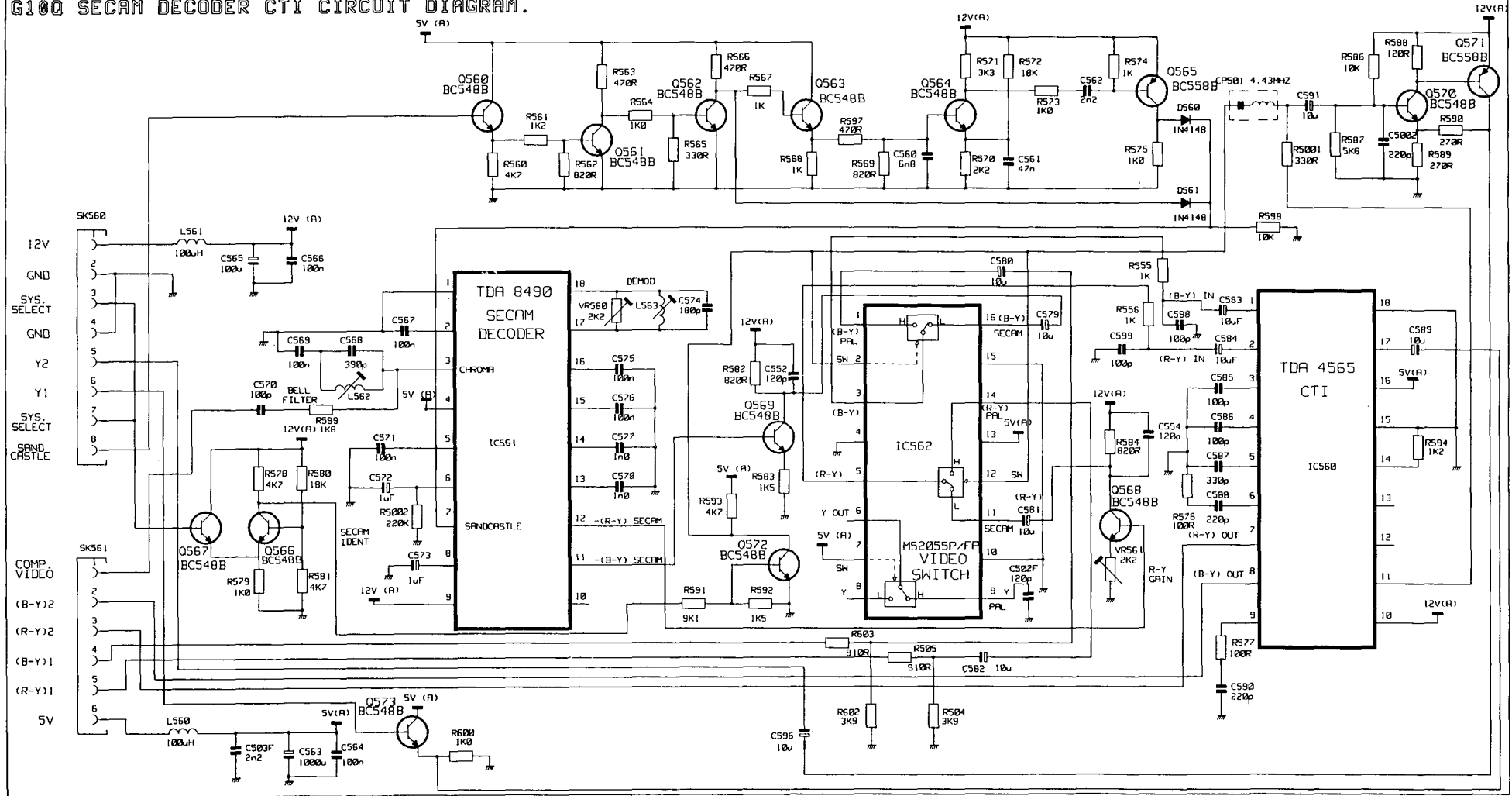
NICAM CIRCUIT

NICAM

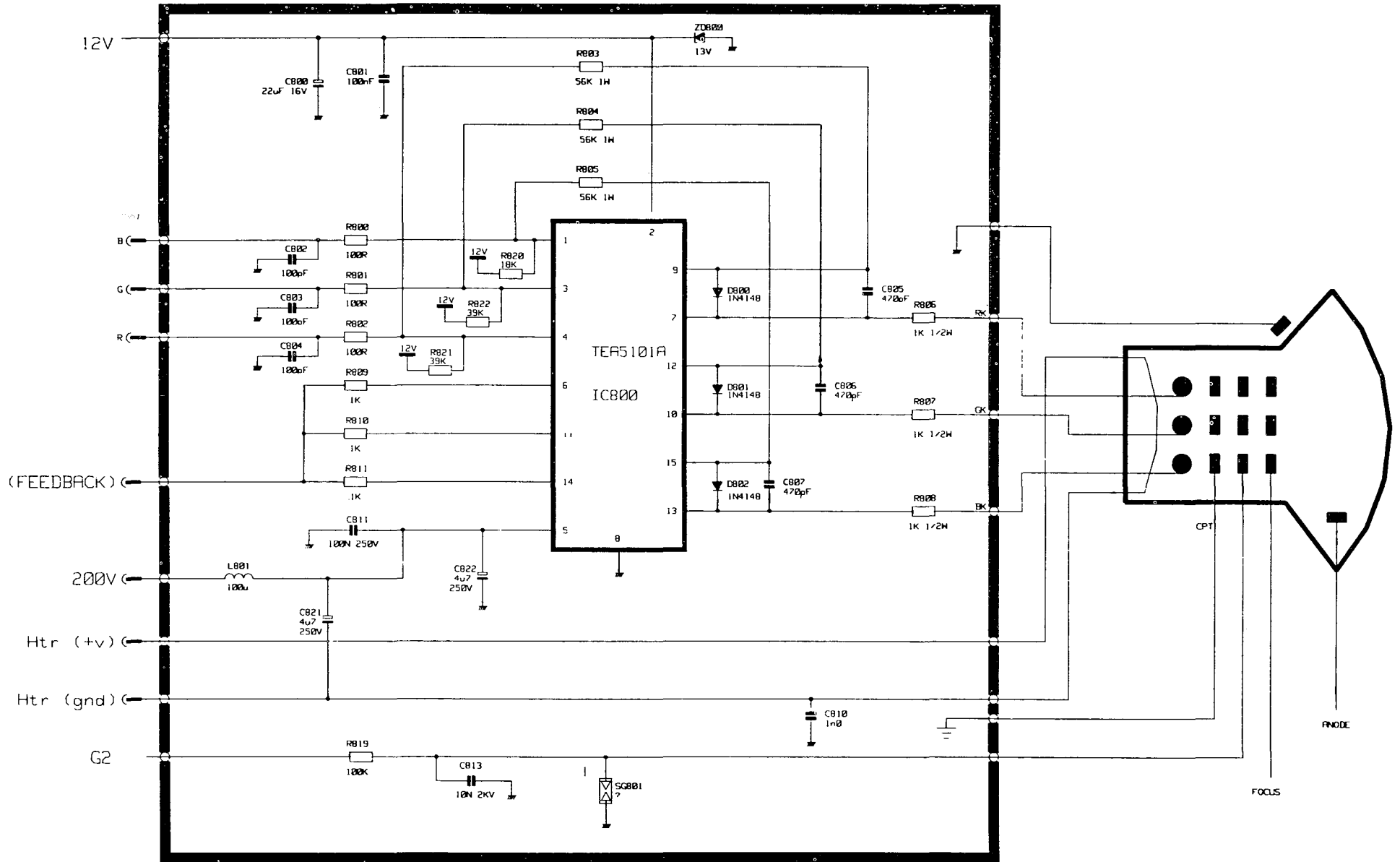


TELETEXT CIRCUIT

G100 SECAM DECODER CTI CIRCUIT DIAGRAM.



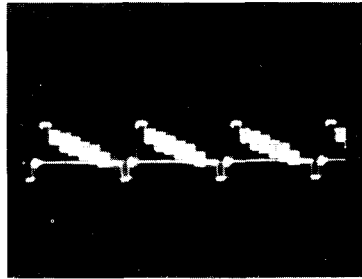
SECAM/CTI CIRCUIT



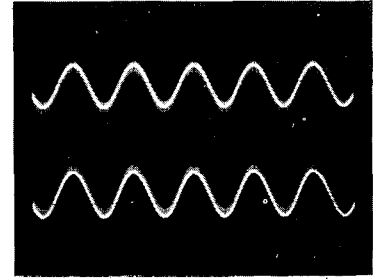
CRT BASE CIRCUIT

SOME WAVEFORMS FOR THE G10Q CHASSIS. TAKEN ON COLOUR BAR SIGNAL USING A 10:1 PROBE, WITH OSCILLOSCOPE SET TO 20μ SECS/CM UNLESS OTHERWISE STATED.

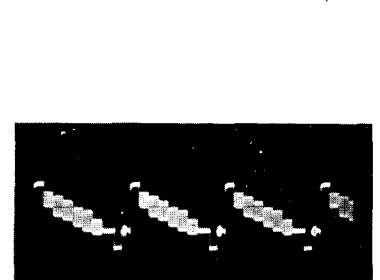
IC201
pin 13
2v0 p p



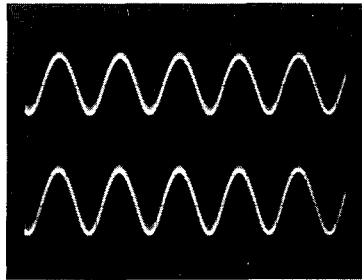
IC100
pin 1
0v7 p p at
0 5m secs/cm



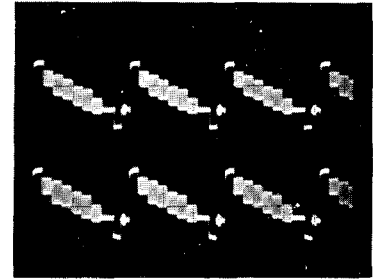
IC100
pin 5
0v7 p.p at
0 5m secs/cm



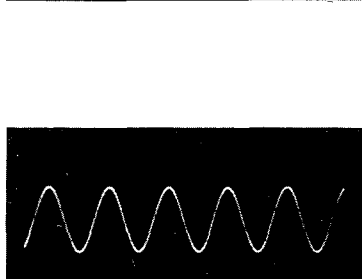
IC100
pin 8
24v p p at
0.5m secs/cm



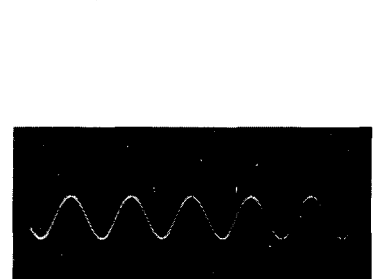
IC300
pin 10
1 2v p.p.



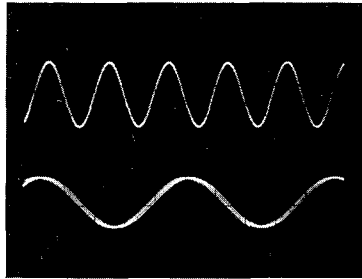
IC100
pin 10
24v p p at
0.5m secs/cm



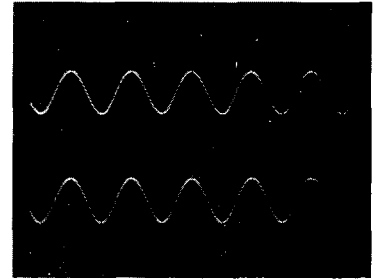
IC300
pin 15
2v4 p p.



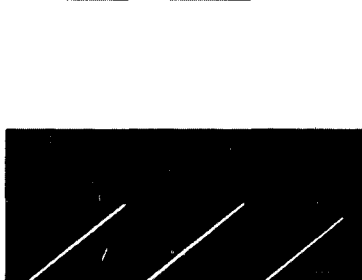
IC302
pin 2
2v2 p p at
0.5m secs/cm
(Two-Tone NICAM.)



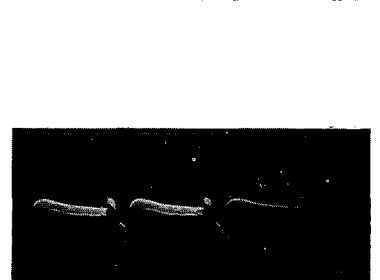
IC302
pin 17
0v75 p.p. at
0 5m secs/cm.



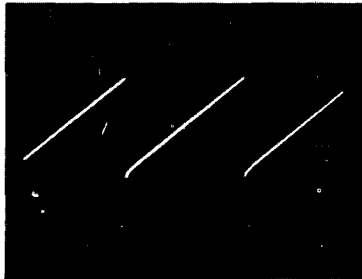
IC302
pin 3
2v2 p p. at
0.5m secs/cm
(Two-Tone NICAM)



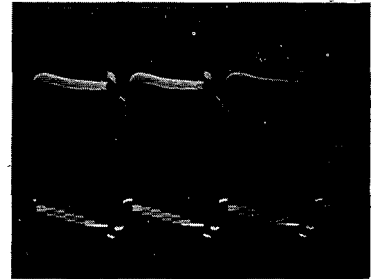
IC302
pin 18
0v75 p p. at
0 5m secs/cm



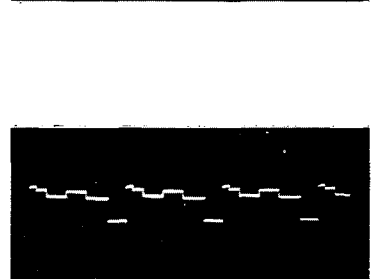
IC501
pin 7
1 6v p p. at
5m secs/cm



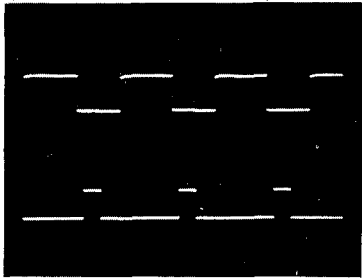
IC501
pin 8
1v5 p p



IC501
pin 40
1v3 p.p



IC501
pin 12
0v6 p.p



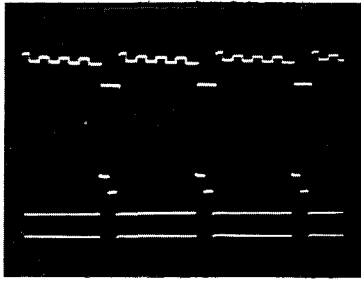
IC501
pin 17
2v4 p p



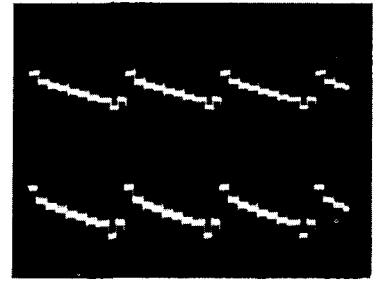
IC501
pin 13
5v0 p p

IC501
pin 18
2v4 p.p

IC501
pin 19
2v4 p.p



IC501
pin 25
1v2 p.p.



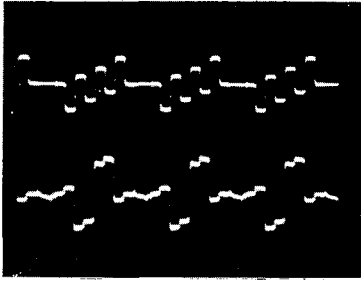
IC501
pin 31
4v2 p.p.



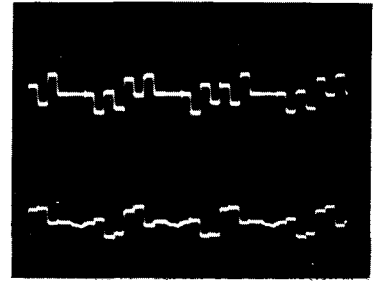
IC501
pin 29
0v9 p.p



IC501
pin 26
1v0 p.p.



IC501
pin 36
1v4 p.p.



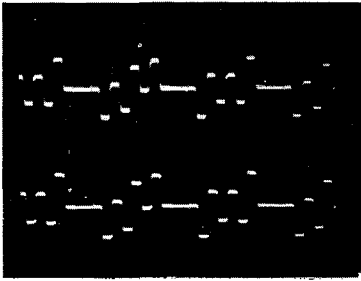
IC501
pin 27
1v2 p.p



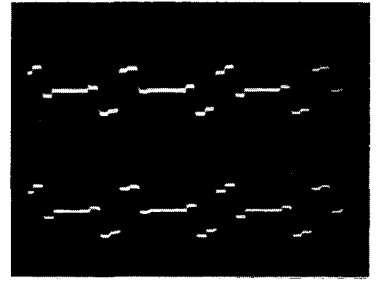
IC501
pin 37
1v2 p.p.



IC560
pin 1
1v0 p.p.



IC560
pin 2
0v9 p.p.



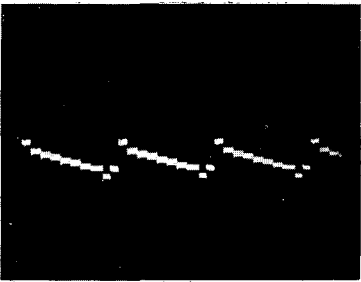
IC560
pin 8
1v1 p.p



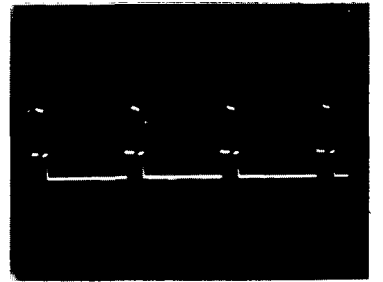
IC560
pin 7
0v9 p.p



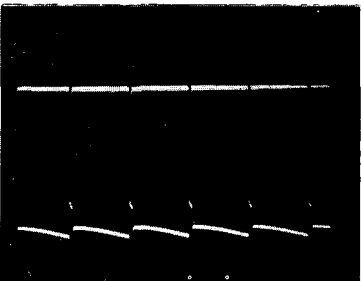
IC560
pin 11
0v7 p.p



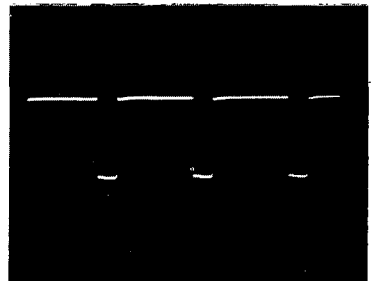
IC561
pin 7
12v p.p



IC601
pin 1
5v4 p.p. at
10m secs/cm.

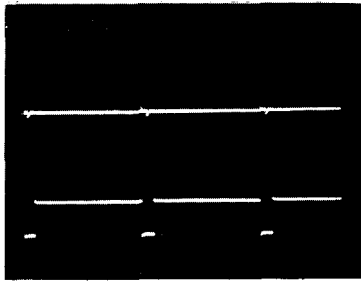


IC1060
pin 1
5v4 p.p.



IC601
pin 5
65v p.p. at
10m secs/cm

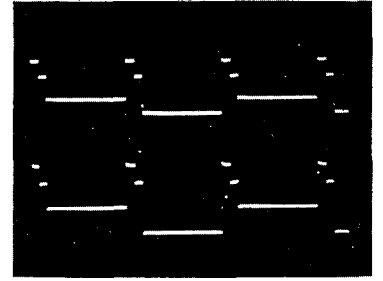
IC1060
pin 7
6v0 p p at
5m secs/cm.



IC1060
pin 9
6v0 p p at
5m secs/cm

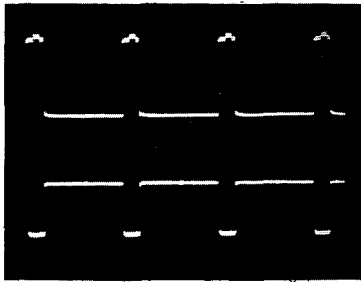


Q560
Emitter
3v9 p p



Q560
Base
4v8 p p.

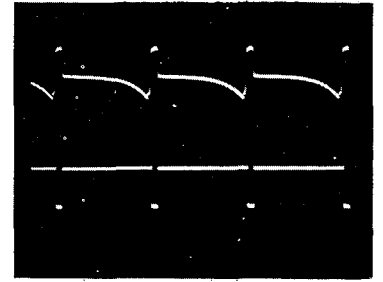
Q562
Collector
5v6 p p.



Q562
Base
0v9 p.p.



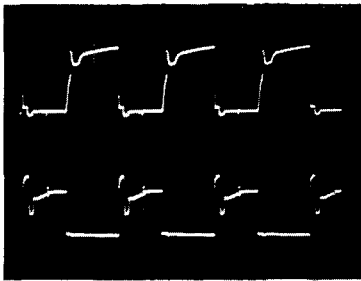
Q565
Collector
14v p.p



Q565
Base
1v8 p.p



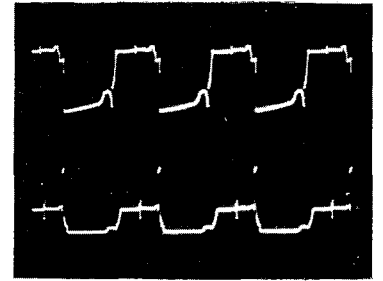
Q701
Collector
12v p p



Q701
Base
2v0 p p



Q703
Base
22v p p



Q702
Emitter
11v p.p

