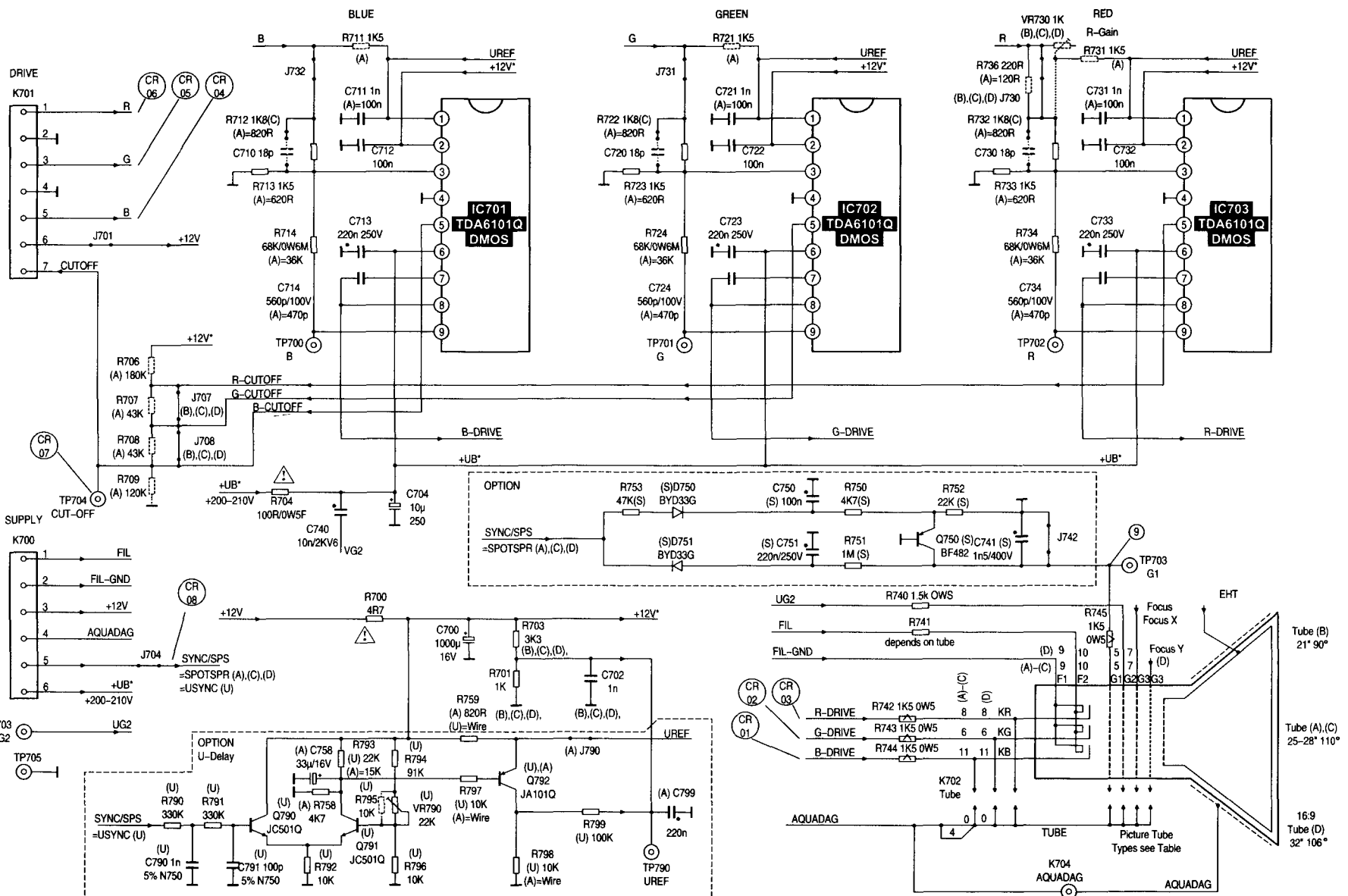


**Hansetic CTV-70/113 PIP**

**COLOR**



Board Versions	
(A)	SCC103 30CR7730
(B)	SCC121 39CR7730
(C)	SCC113 41CR7730
(D)	SCC113 41CR7740 16:9

R741	SCC103 (A) Tubes
6R2/2W	PHILIPS 28' A66EAK71X11
2R2/2W	PHILIPS SBI A66EAK252X11

R741	SCC113 (C) Tubes
2R2/2W	PHILIPS SBI A66EAK252X11
6R2/2W	PHILIPS 29' A66EAK71X11

Insertion Options	
(V)	Vertical Delay (B) only
(S)	Spot Suppression option (S) for SCC121 (B) if (V) deleted

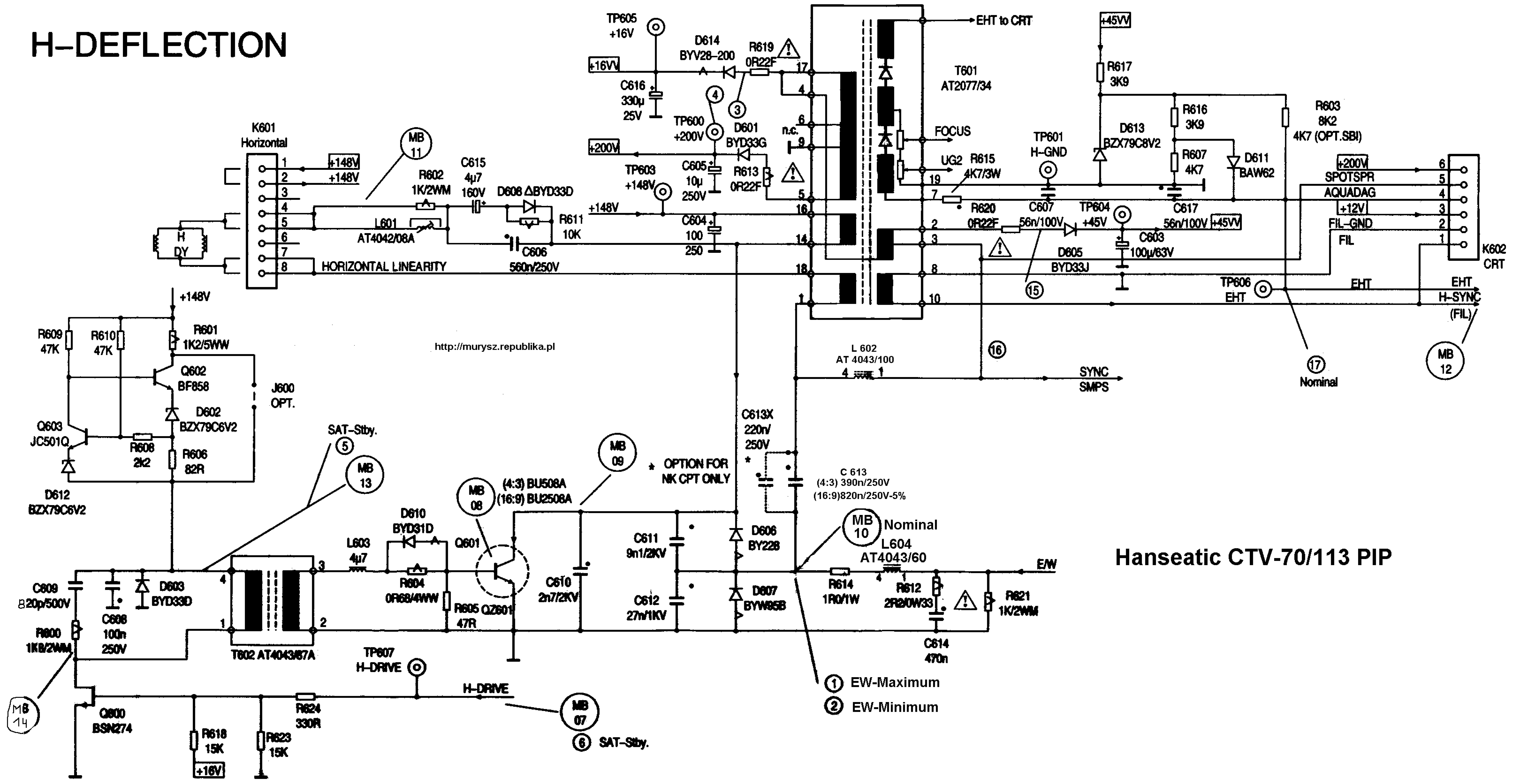
R741	SCC121 (B) Tubes
0R68/4W	VIDEOCOLOR AS1EBV13X01
3R2/2W	PHILIPS AS1EAL30X01

R741	SCC113 (D) Tubes
3R3/2W	PHILIPS 32' W76EWS001X11

**CRT**

Tube (B) 21" 90°  
 Tube (A), (C) 25-28" 110°  
 16:9 Tube (D) 32" 106°

# H-DEFLECTION



<http://muryz.republika.pl>

Hanseatic CTV-70/113 PIP

- ① EW-Maximum
- ② EW-Minimum

- ⑥ SAT-Stby.

⑬ Nominal

⑭ MB 12

⑮ MB 14

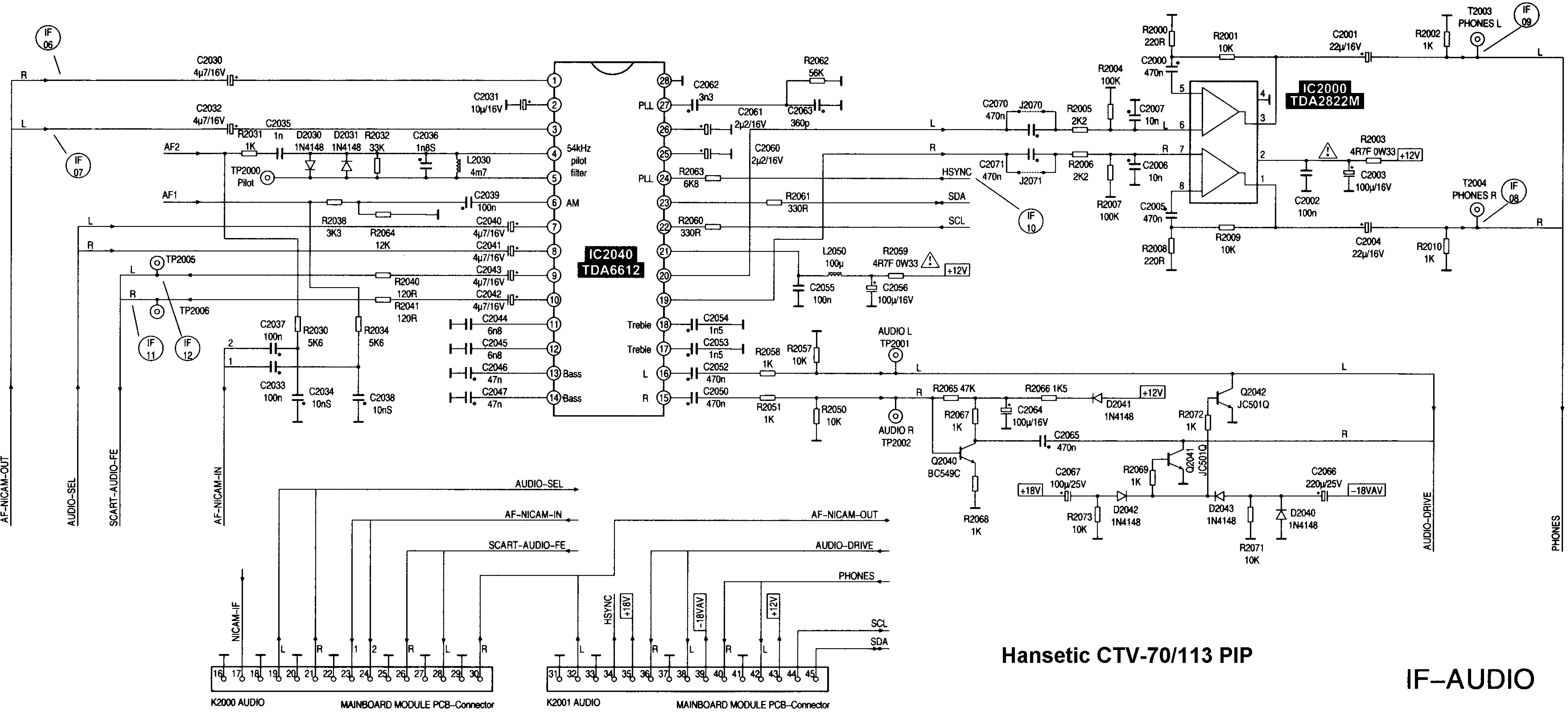
⑯ SAT-Stby.

⑰ MB 13

⑱ MB 09

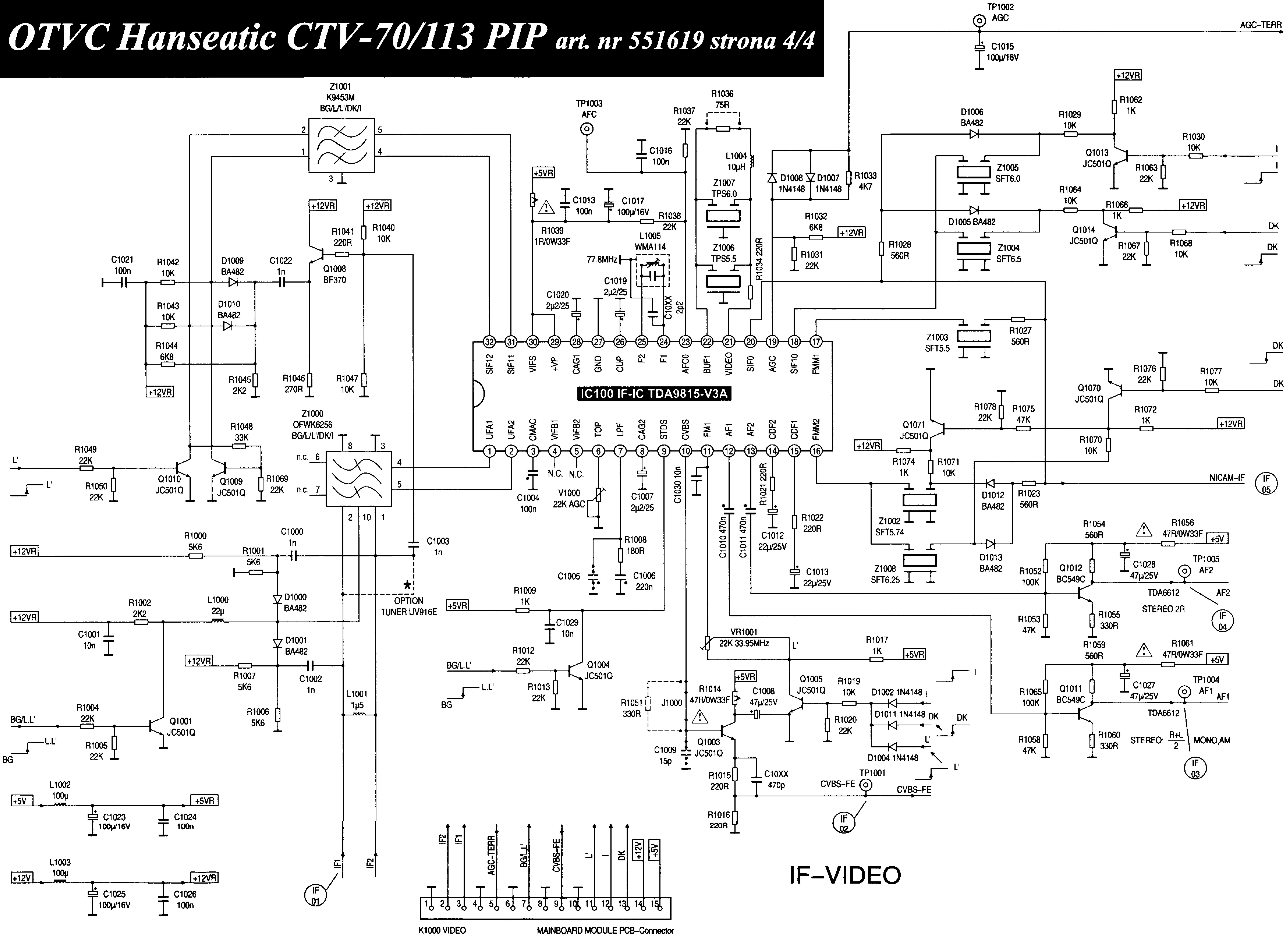
⑲ MB 08

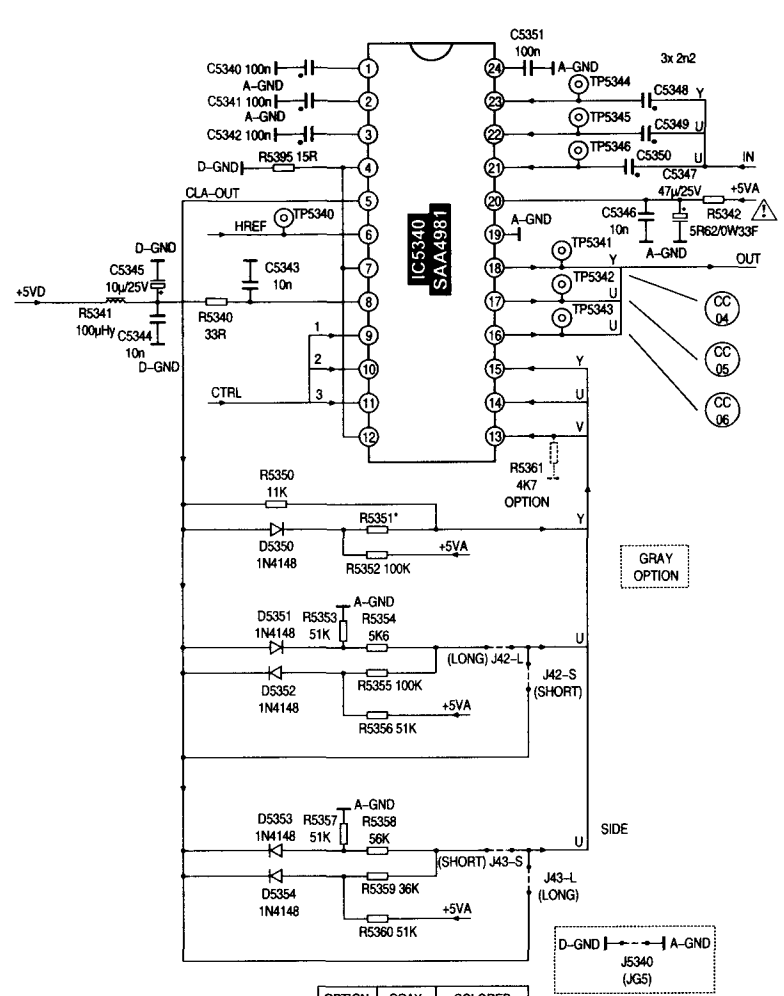
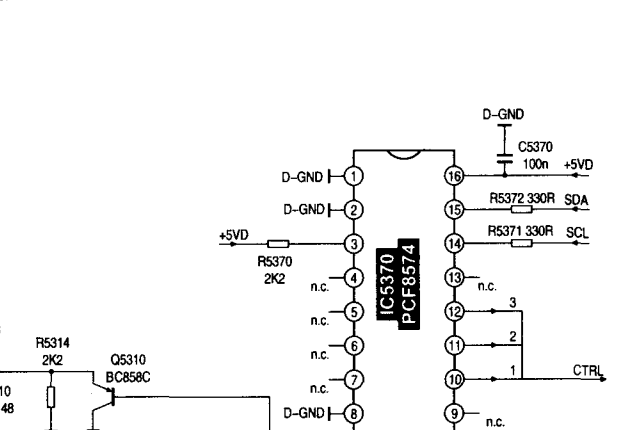
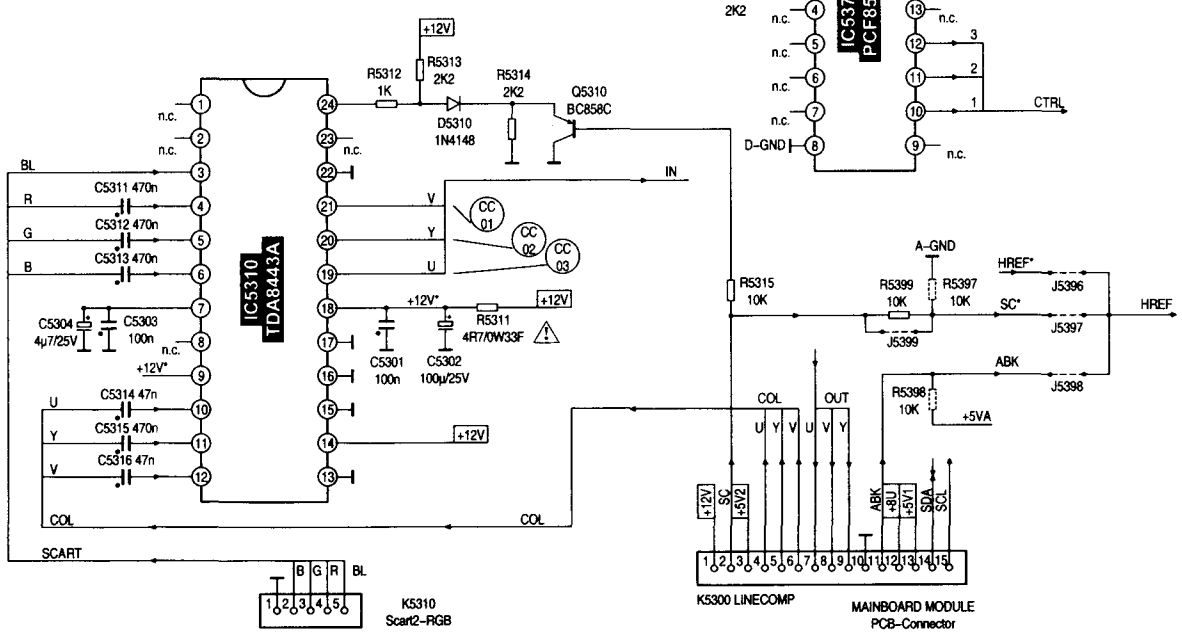
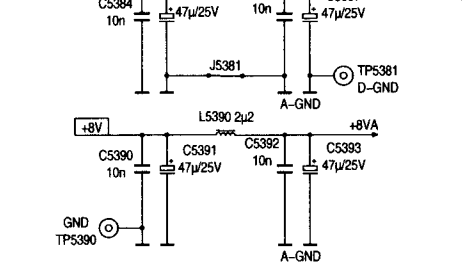
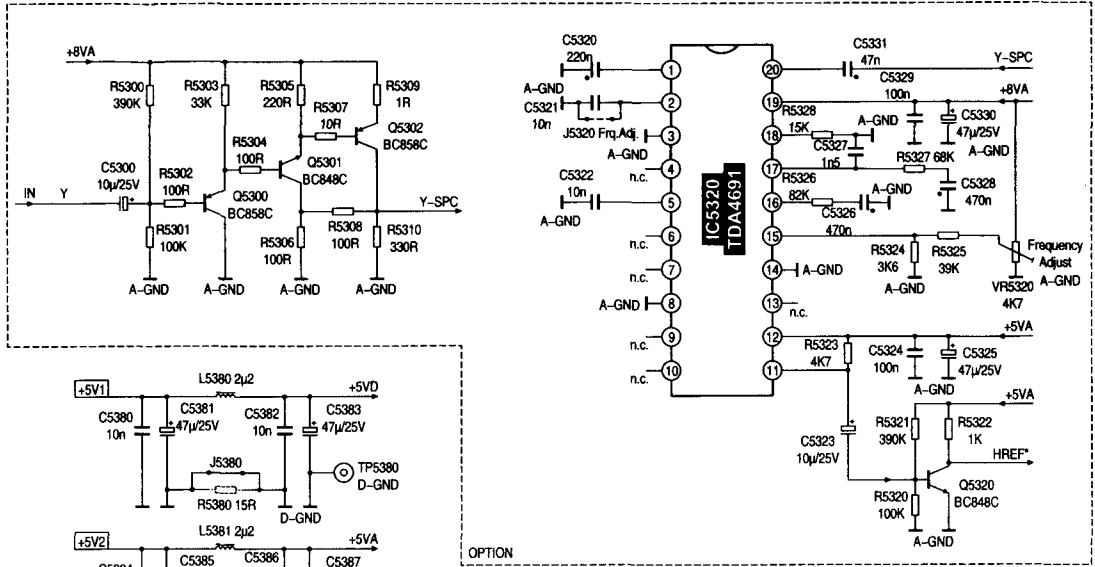
⑳ MB 10



Hansetic CTV-70/113 PIP

IF-AUDIO

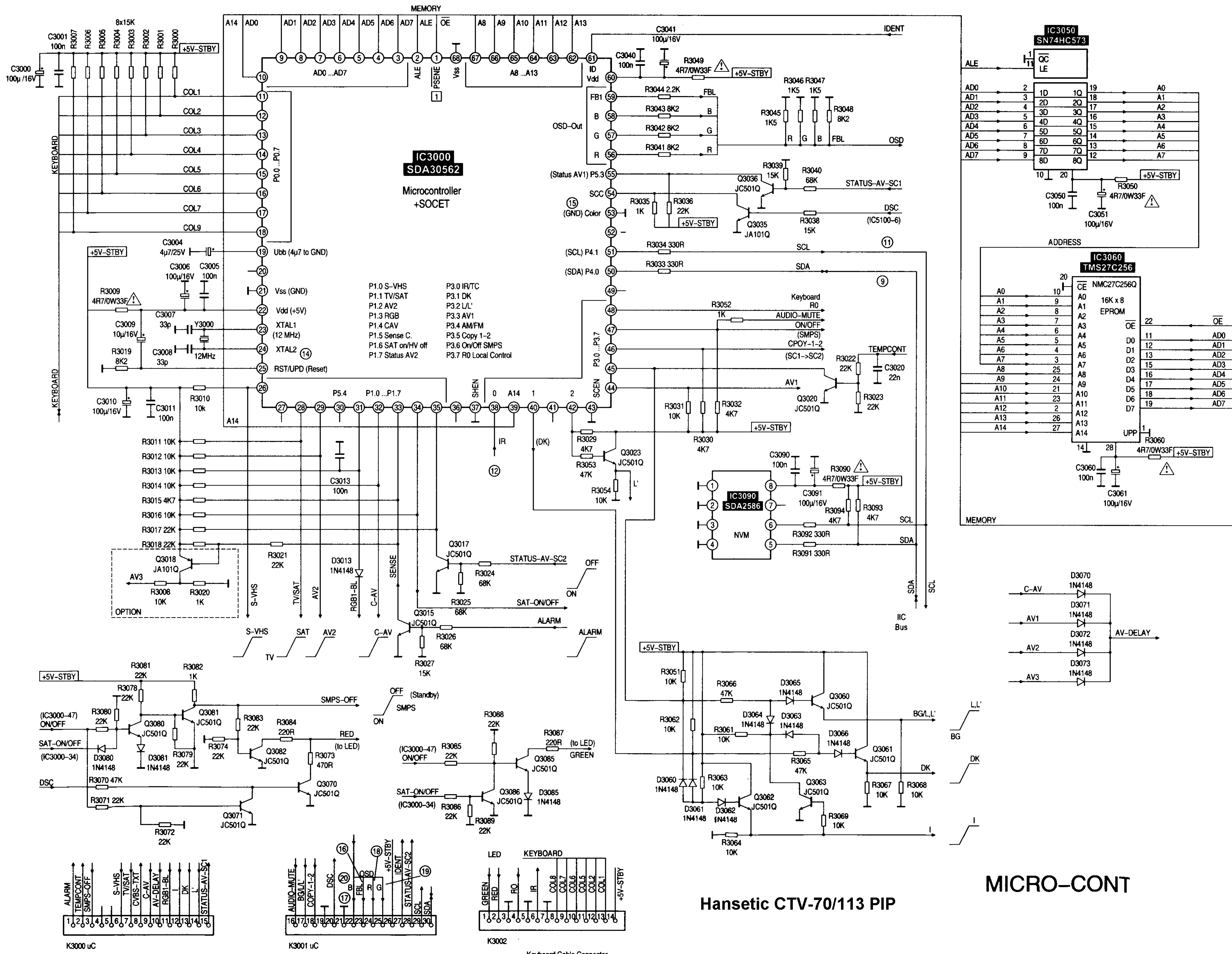




OPTION	GRAY	COLORED
R5351	10K	91K
R5361	OMIT	4K7
J42	SHORT	LONG
J43	LONG	SHORT

LINE COMPRESSION

OTVC Hanseatic CTV-70/113 PIP



**IC3000**  
**SDA30562**  
Microcontroller  
+SOCET

**IC3050**  
**SN74HC573**

**IC3060**  
**TMS27C256**

**Hansetic CTV-70/113 PIP**

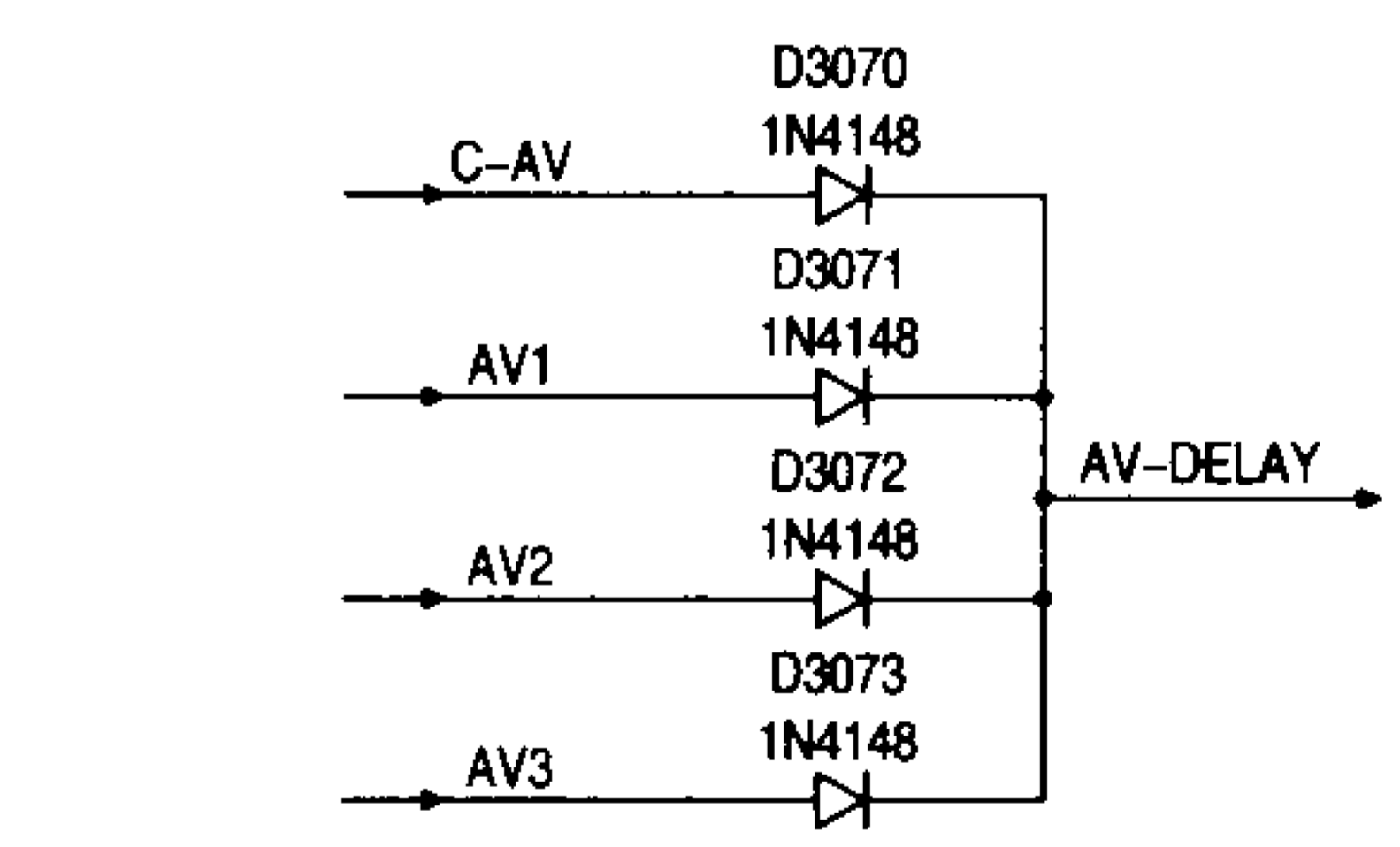
**MICRO-CONT**

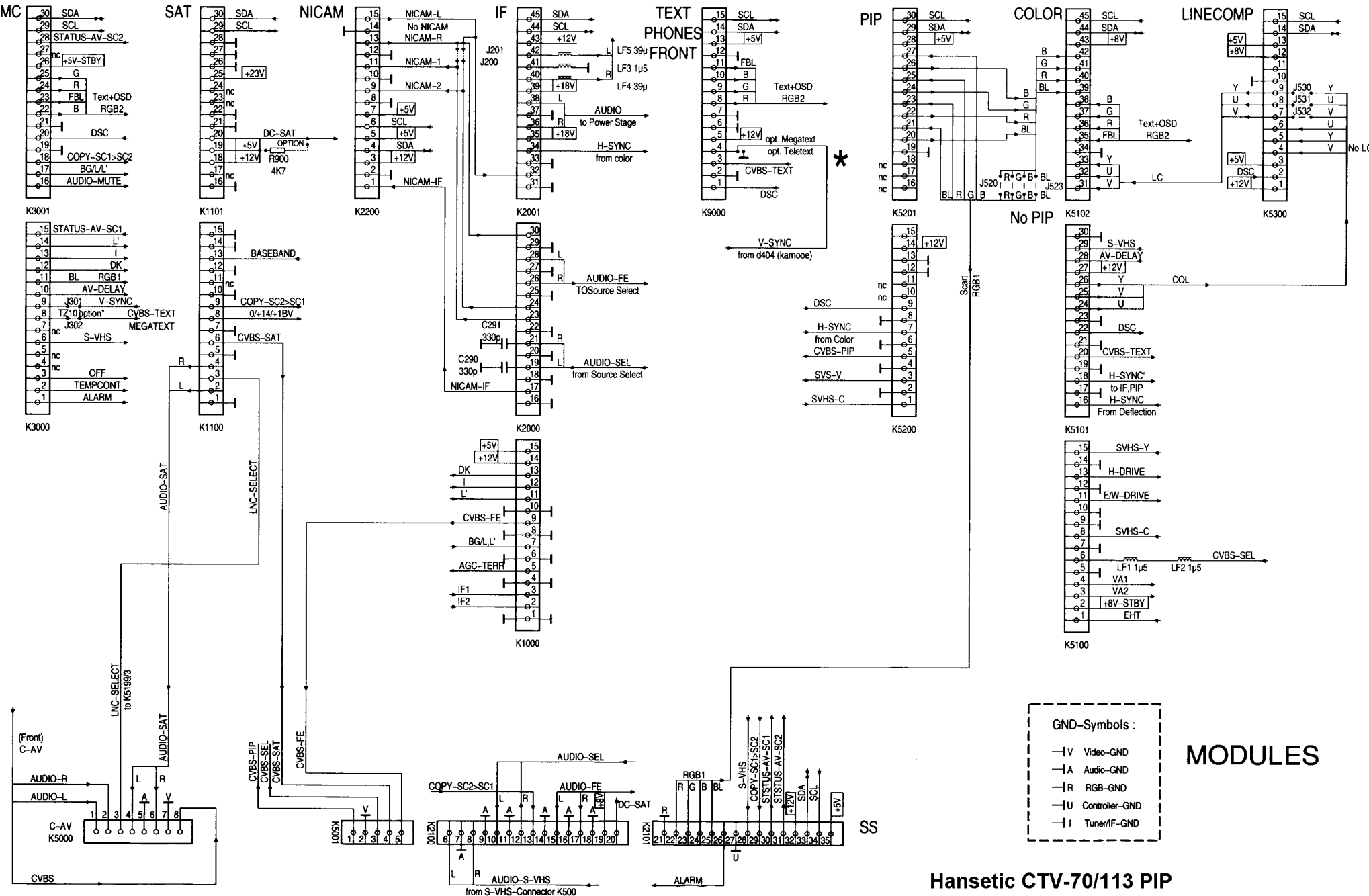
K3000 uC  
MAINBOARD MODULE PCB-Connector

K3001 uC  
MAINBOARD MODULE PCB-Connector

K3002  
Keyboard Cable Connector

- P1.0 S-VHS
- P1.1 TV/SAT
- P1.2 AV2
- P1.3 RGB
- P1.4 CAV
- P1.5 Sense C.
- P1.6 SAT on/HV off
- P1.7 Status AV2
- P3.0 IR/TC
- P3.1 DK
- P3.2 LL'
- P3.3 AV1
- P3.4 AM/FM
- P3.5 Copy 1-2
- P3.6 On/Off SMPS
- P3.7 R0 Local Control





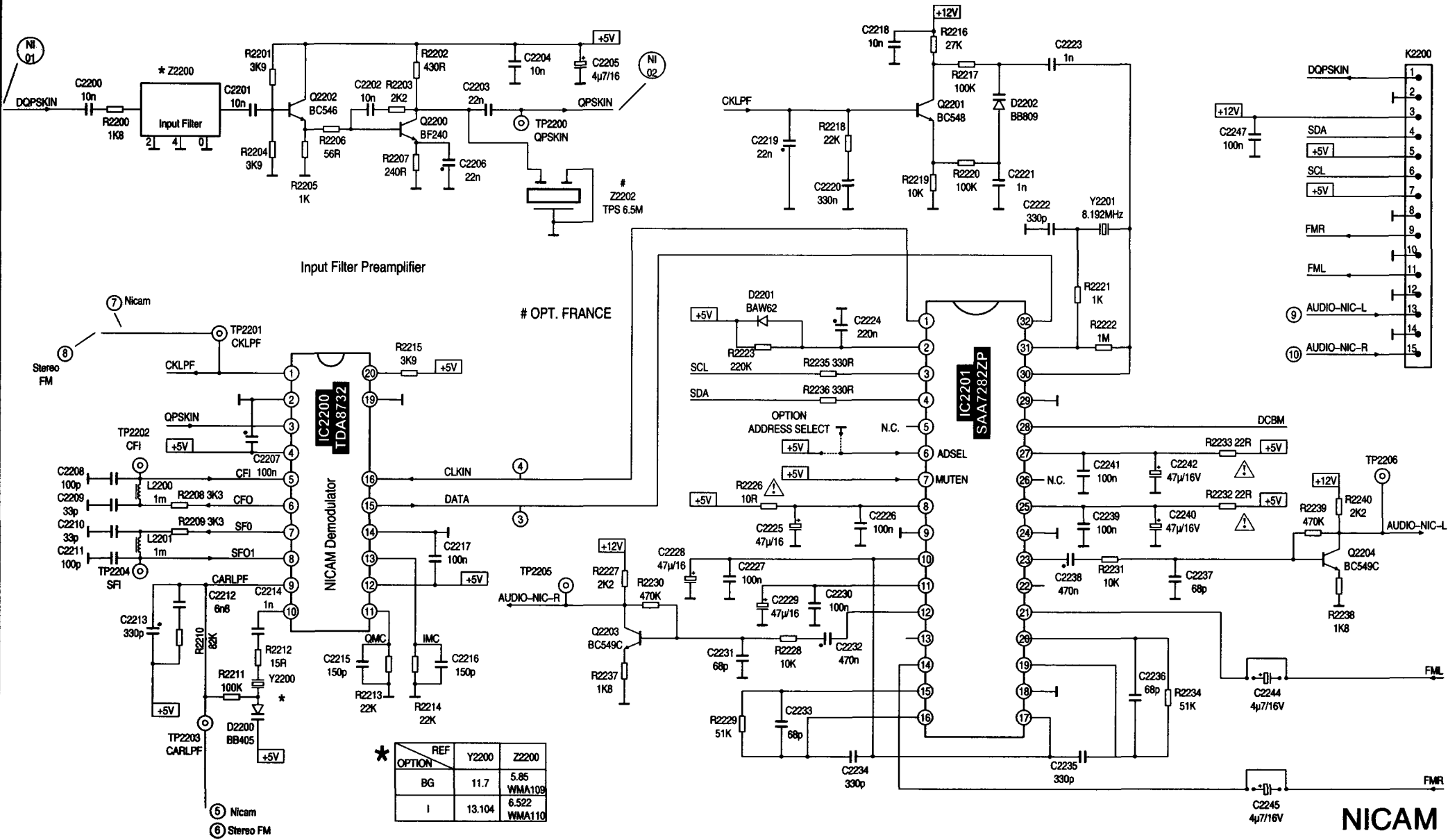
- GND-Symbols :**
- V Video-GND
  - A Audio-GND
  - R RGB-GND
  - U Controller-GND
  - I Tuner/IF-GND

**MODULES**

**Hansetic CTV-70/113 PIP**

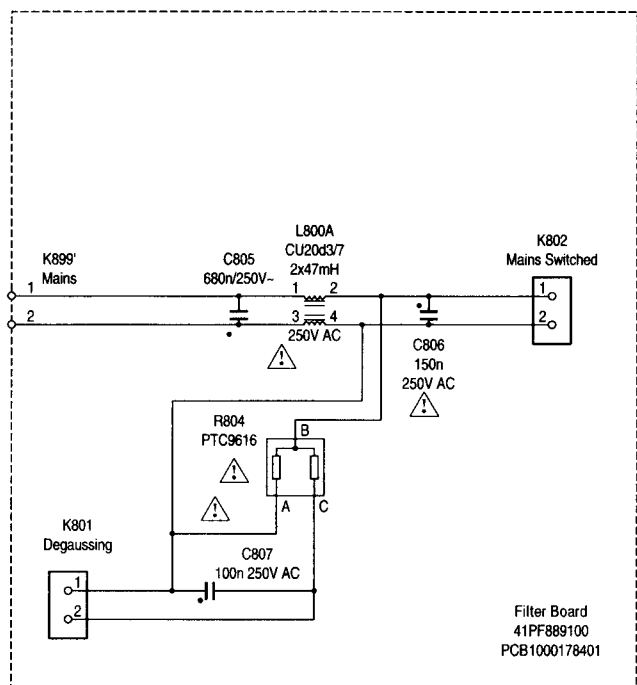
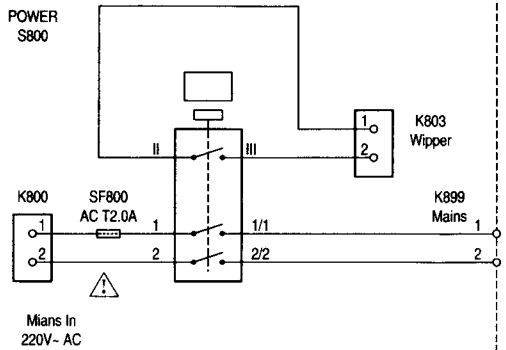


# Hanseatic CTV-70/113 PIP

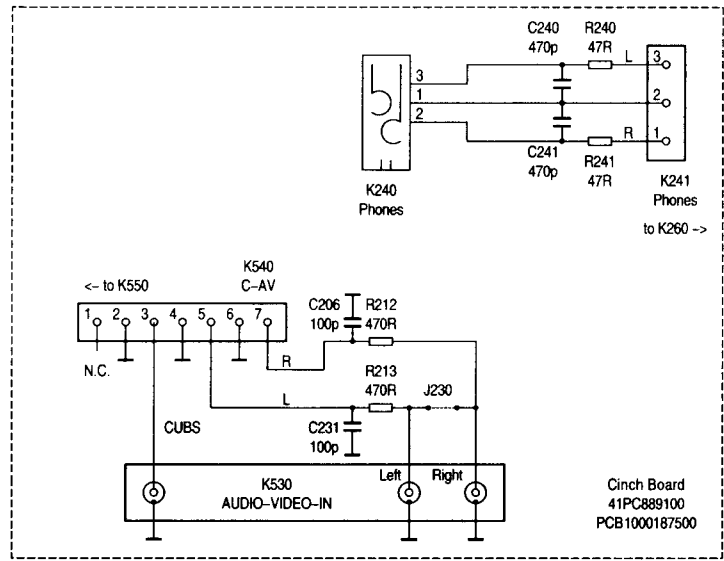
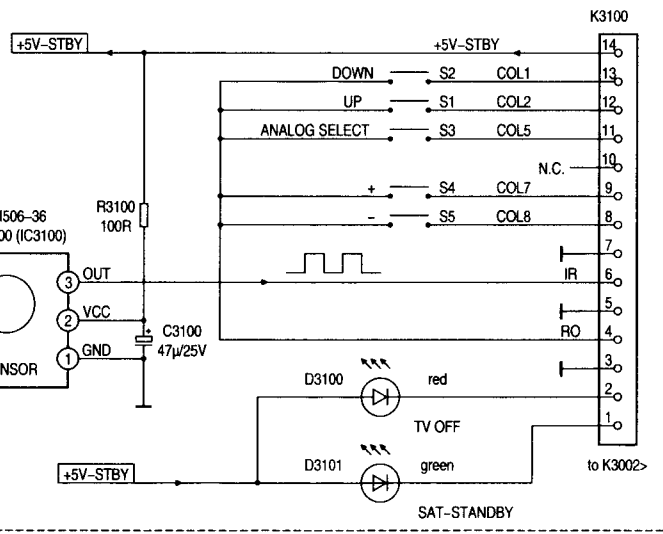


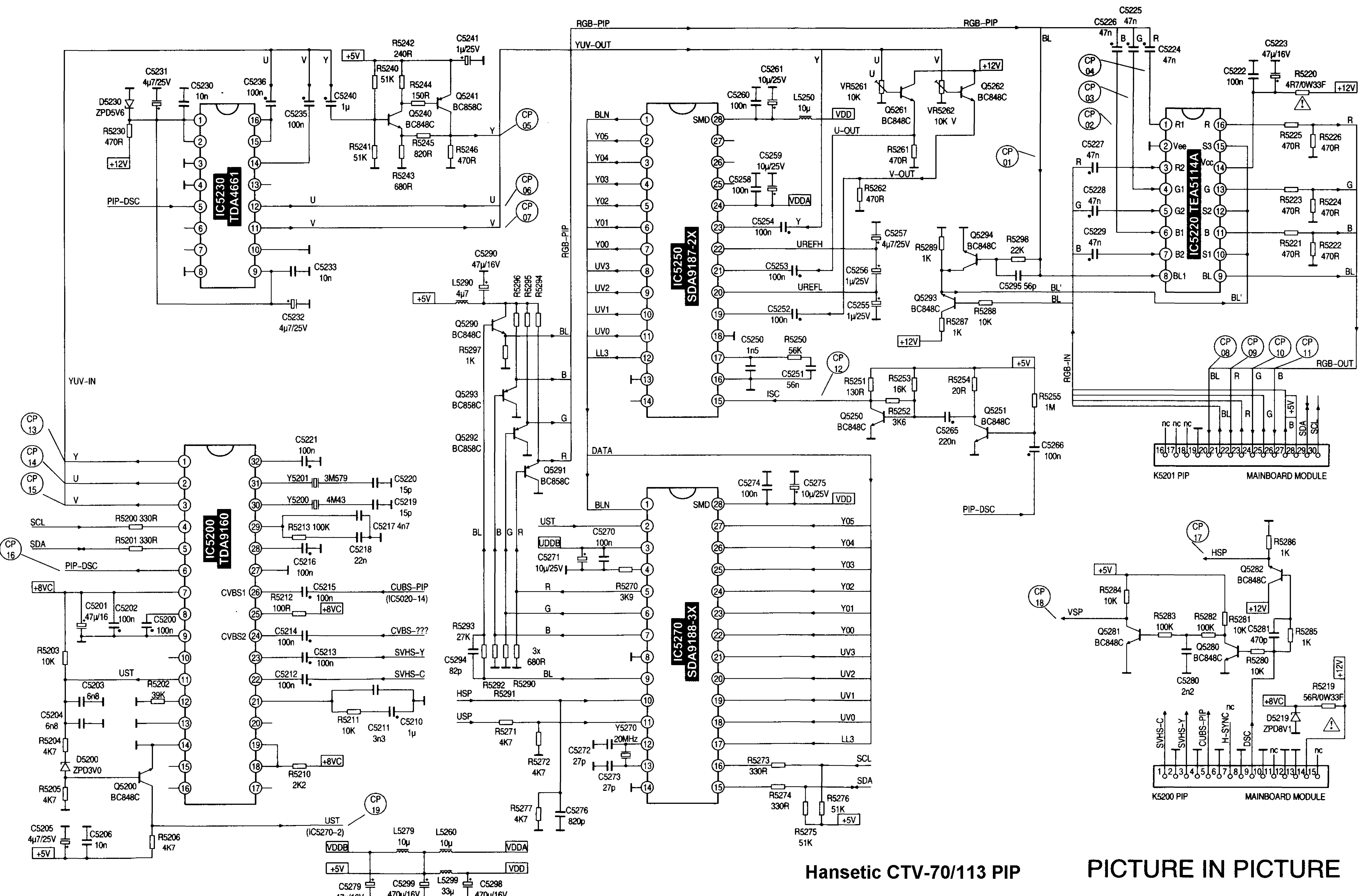
**NICAM**

Switch Board  
41PS889100  
PCB1000178301



KEYBOARD  
41R306200  
PCB:1000178201

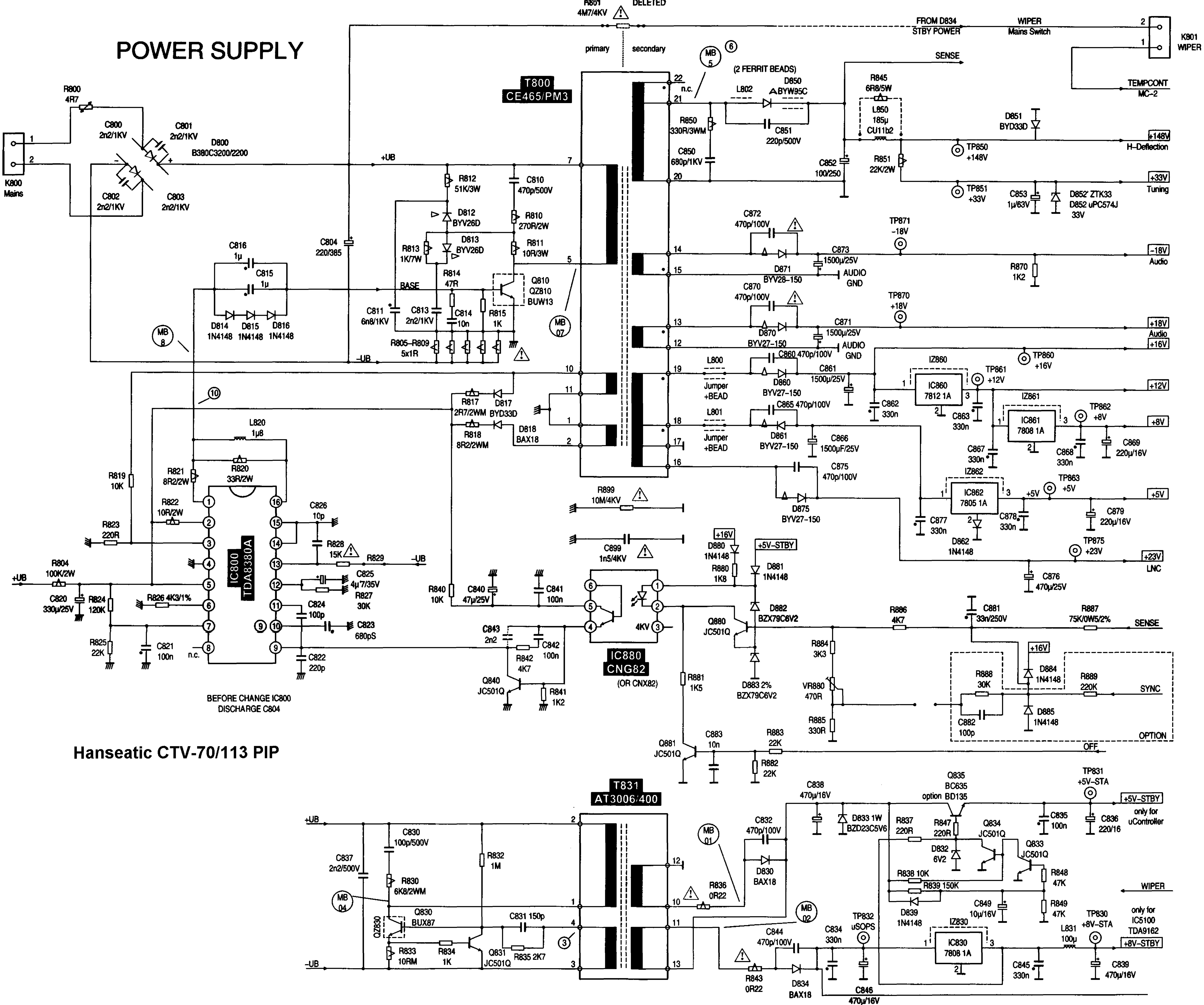




Hansetic CTV-70/113 PIP

PICTURE IN PICTURE

# POWER SUPPLY

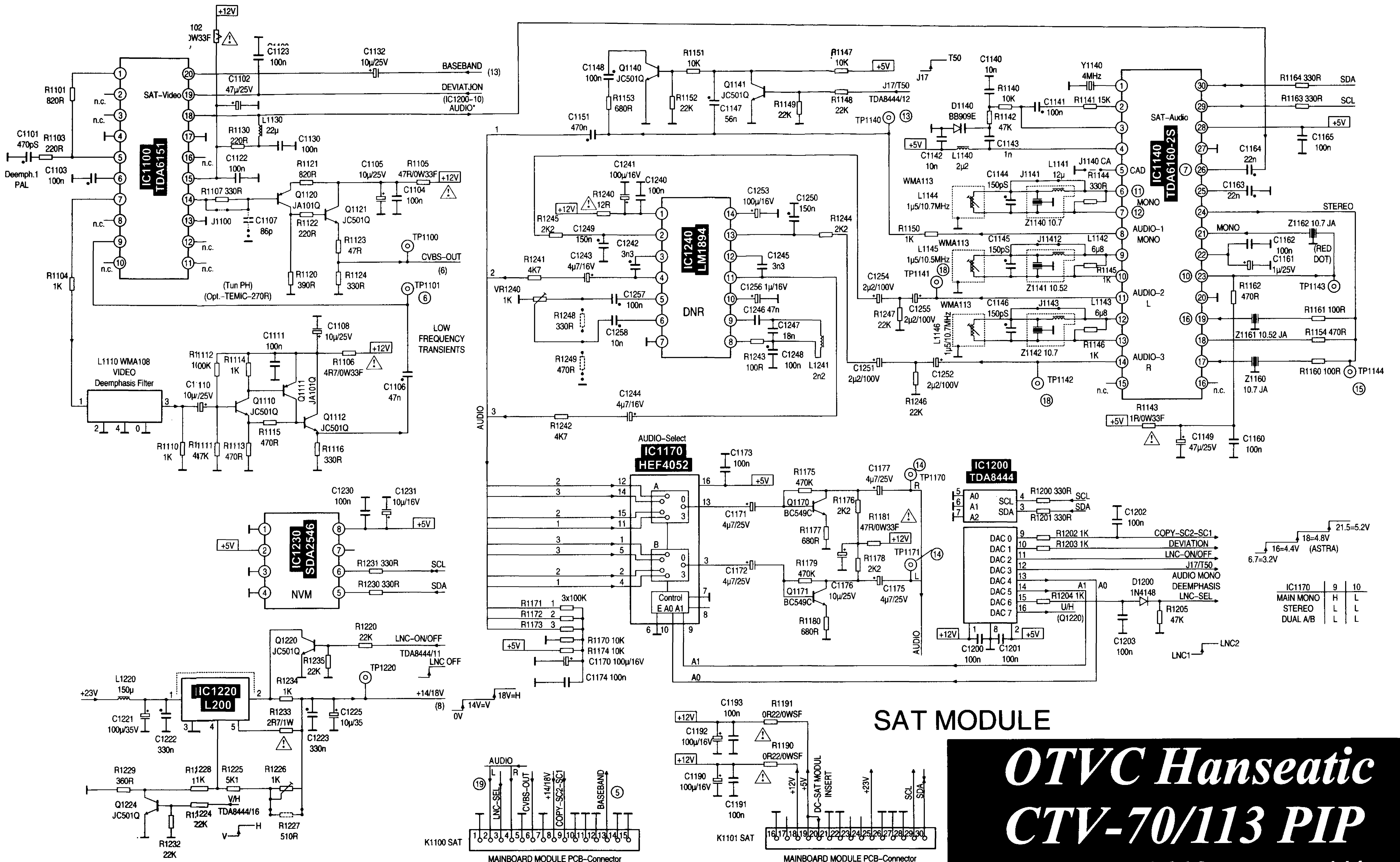


Hanseatic CTV-70/113 PIP

BEFORE CHANGE IC800  
DISCHARGE C804

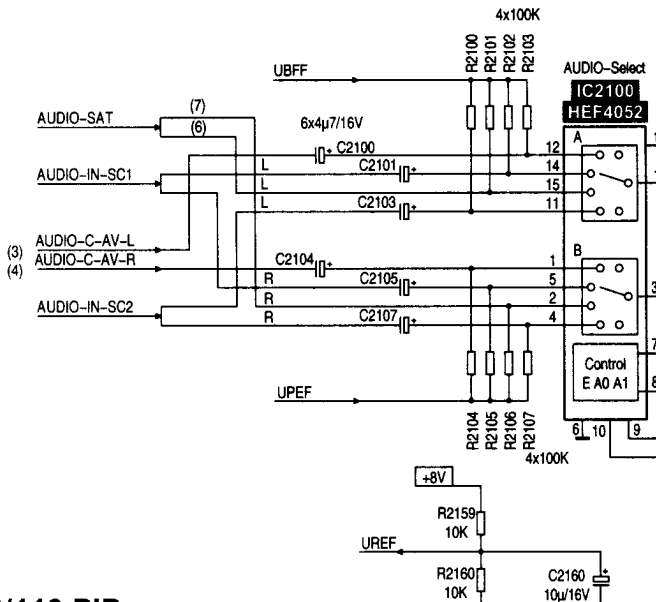
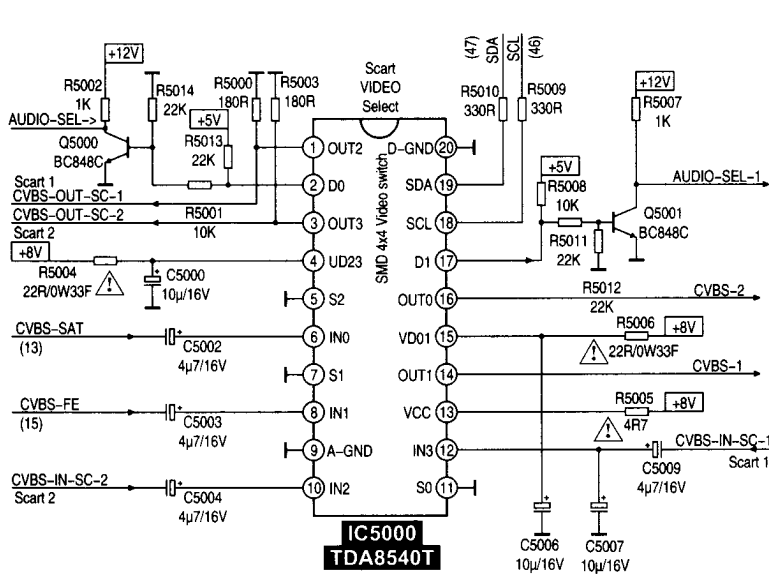
only for  
uController

only for  
IC5100  
TDA9162

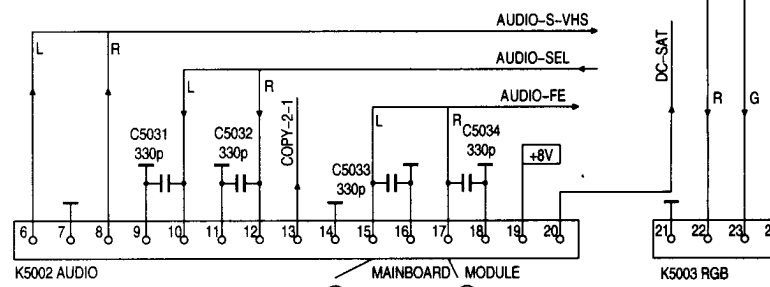
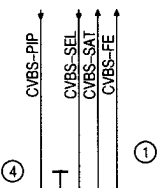
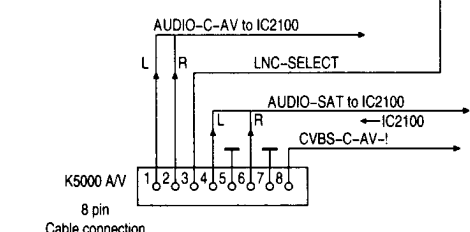
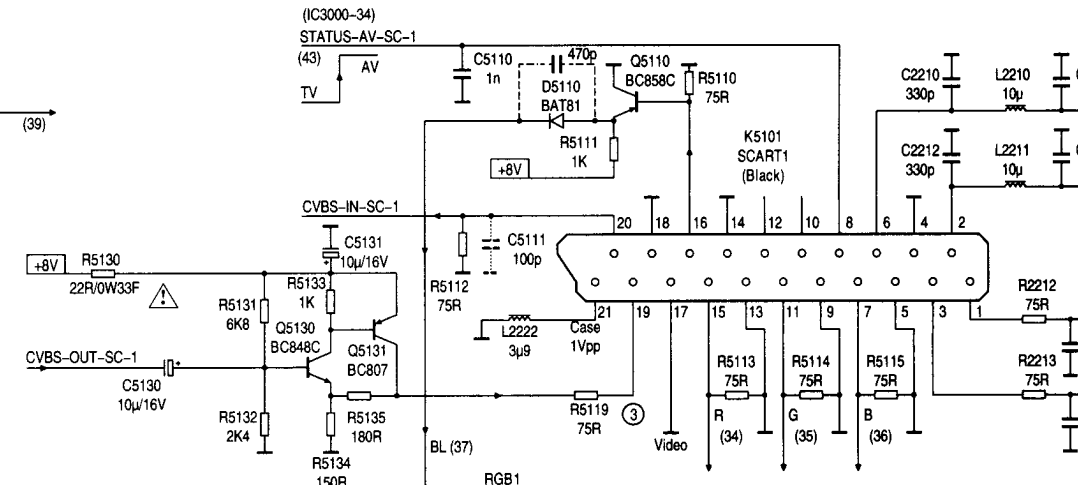
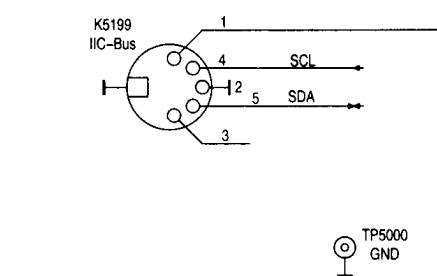
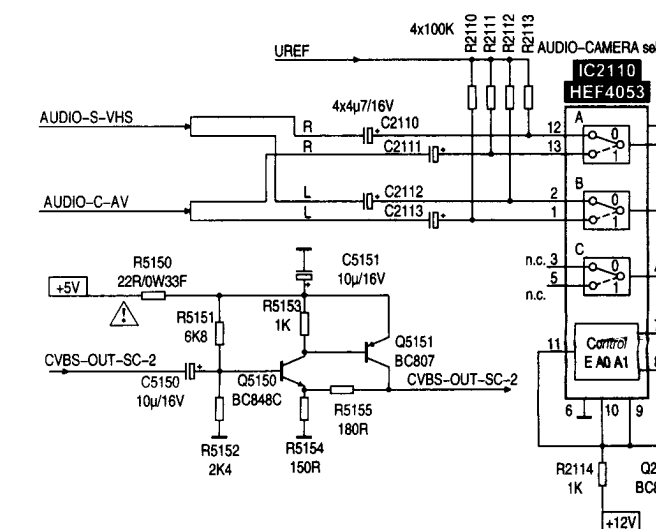
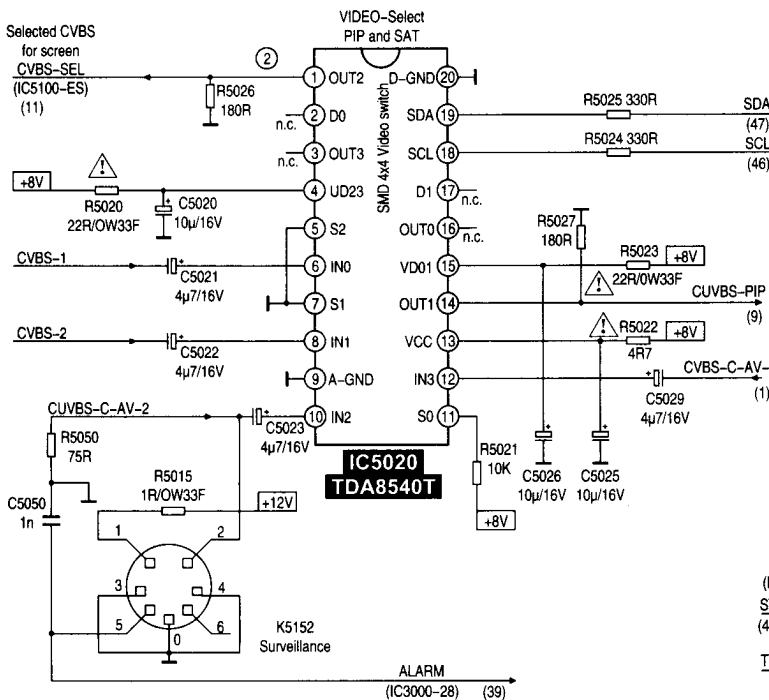


### SAT MODULE

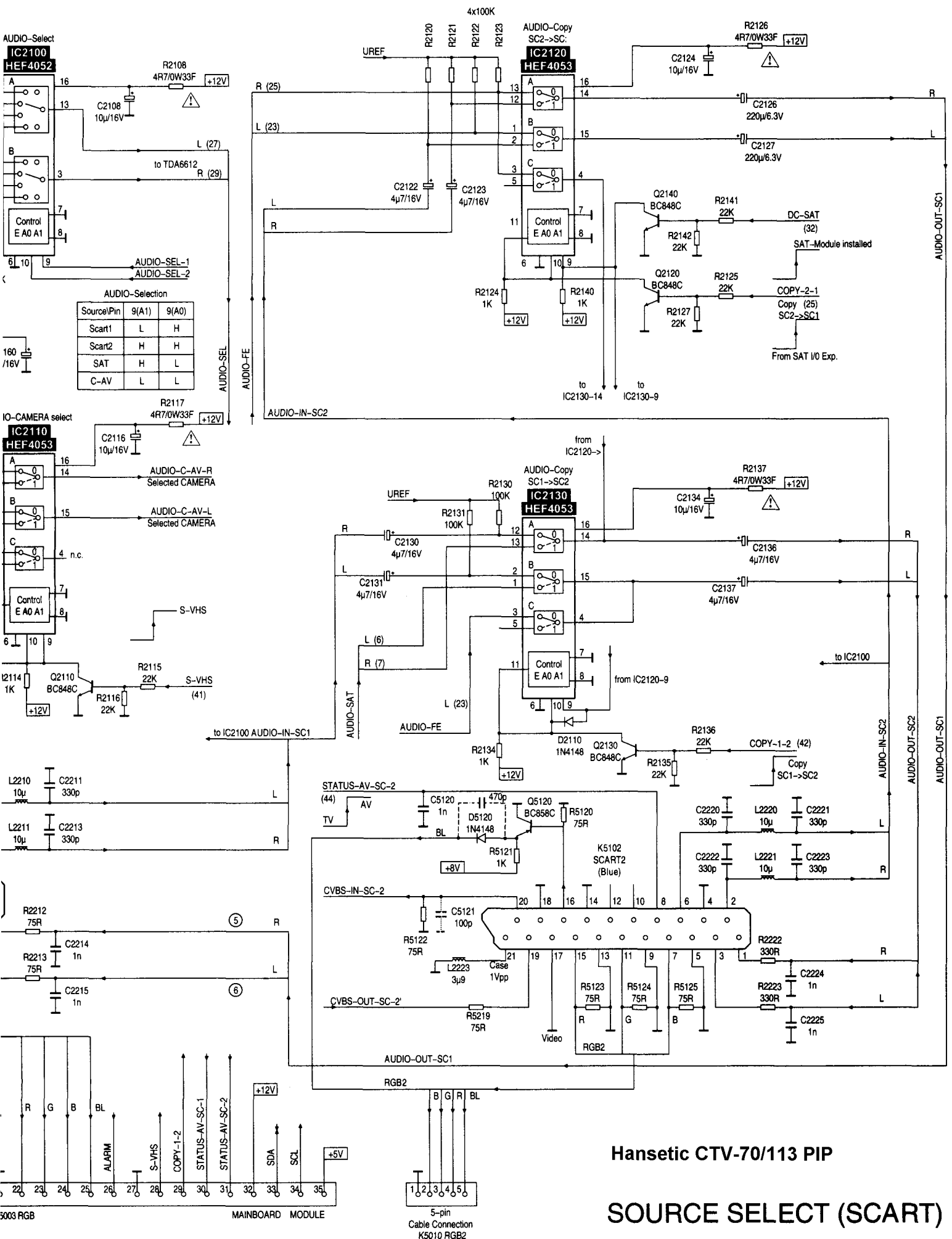
**OTVC Hanseatic**  
**CTV-70/113 PIP**  
 art. nr 551619 strona 4/4



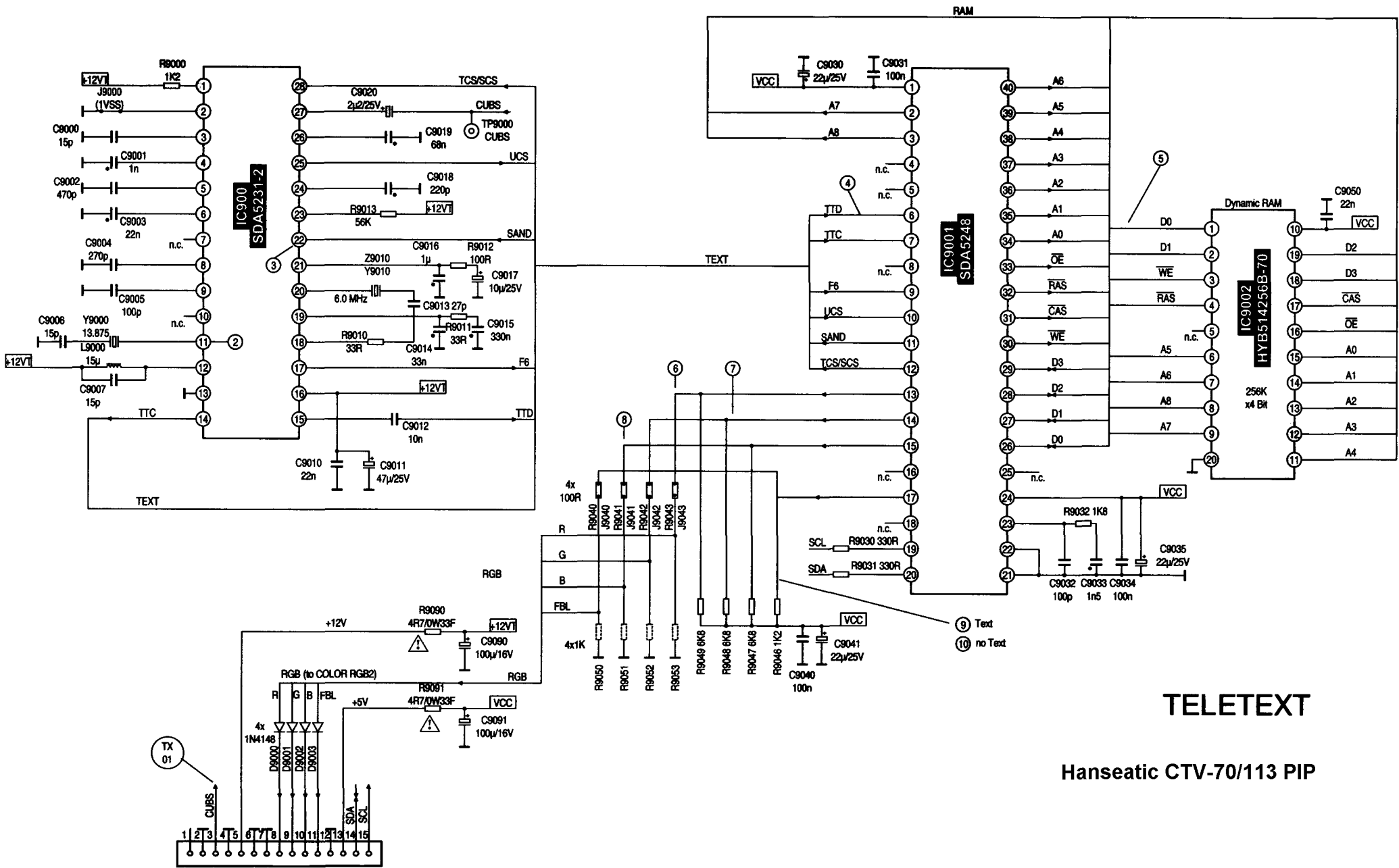
**Hansetic CTV-70/113 PIP**



MAINBOARD MODULE



**Hansetic CTV-70/113 PIP**  
**SOURCE SELECT (SCART)**



# TELETEXT

Hanseatic CTV-70/113 PIP