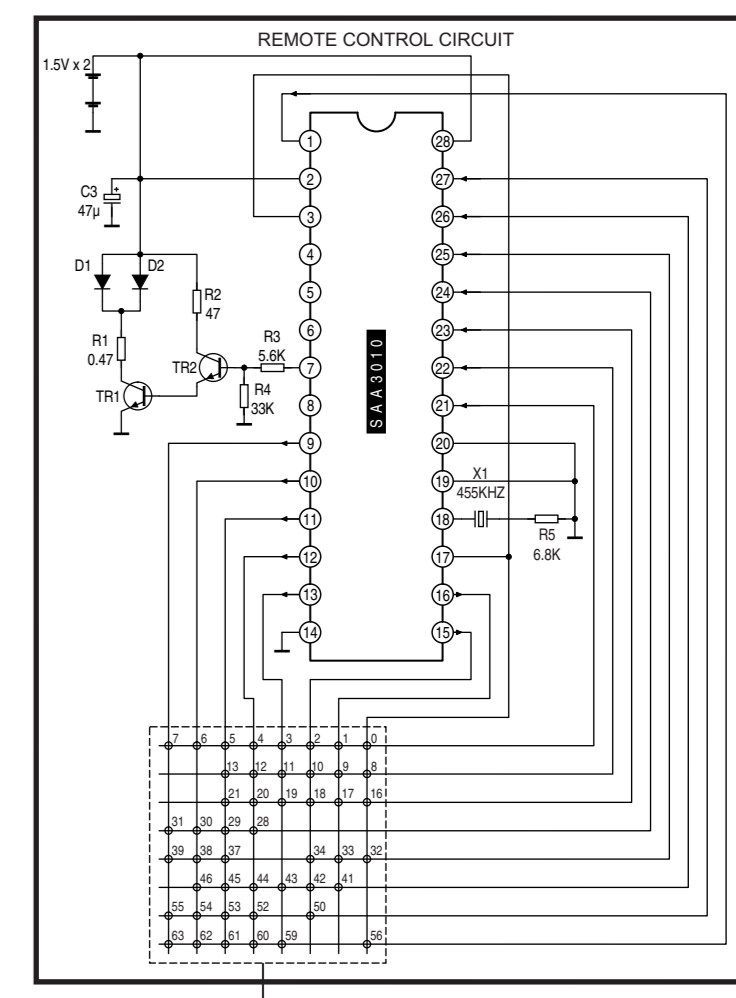
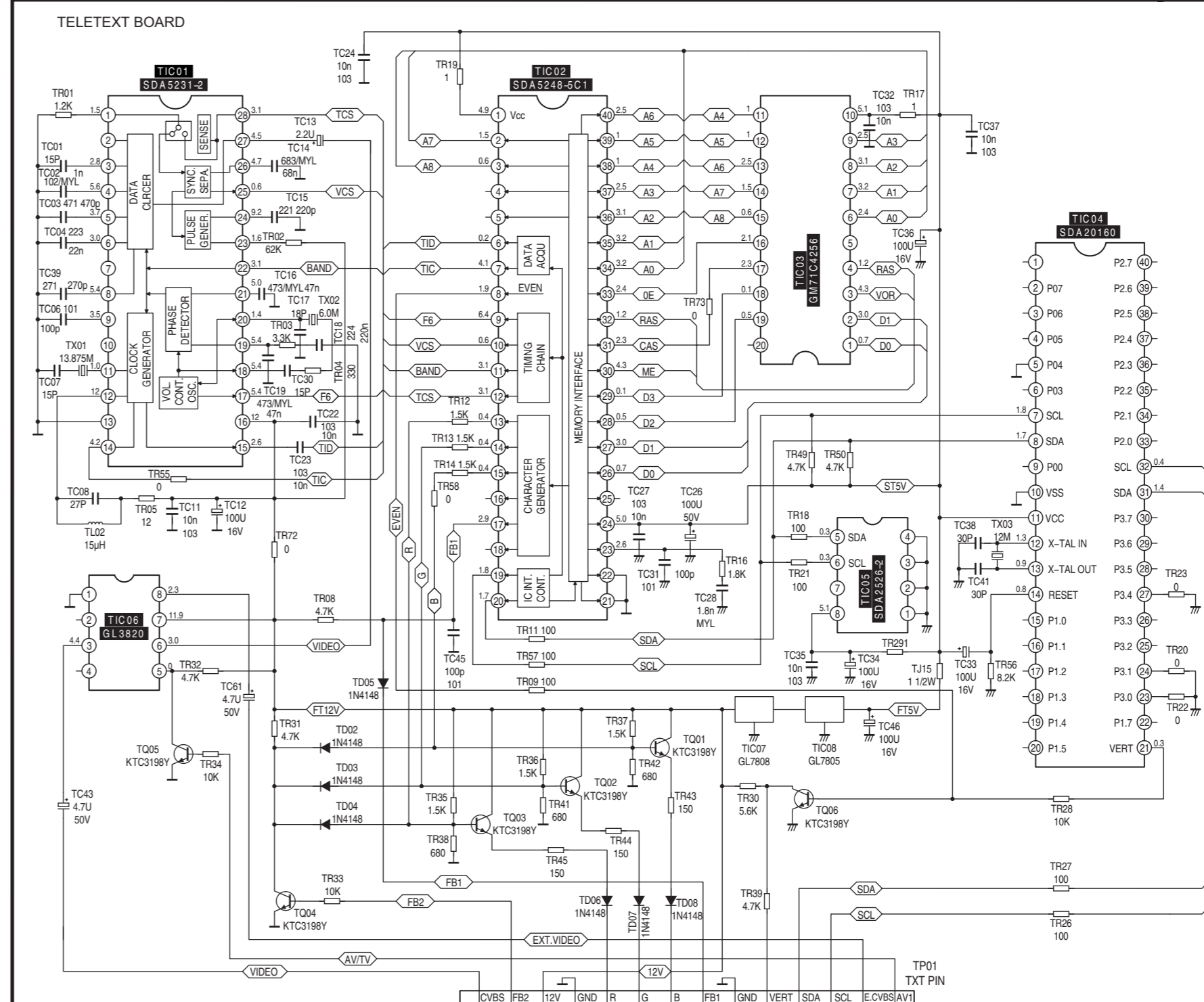
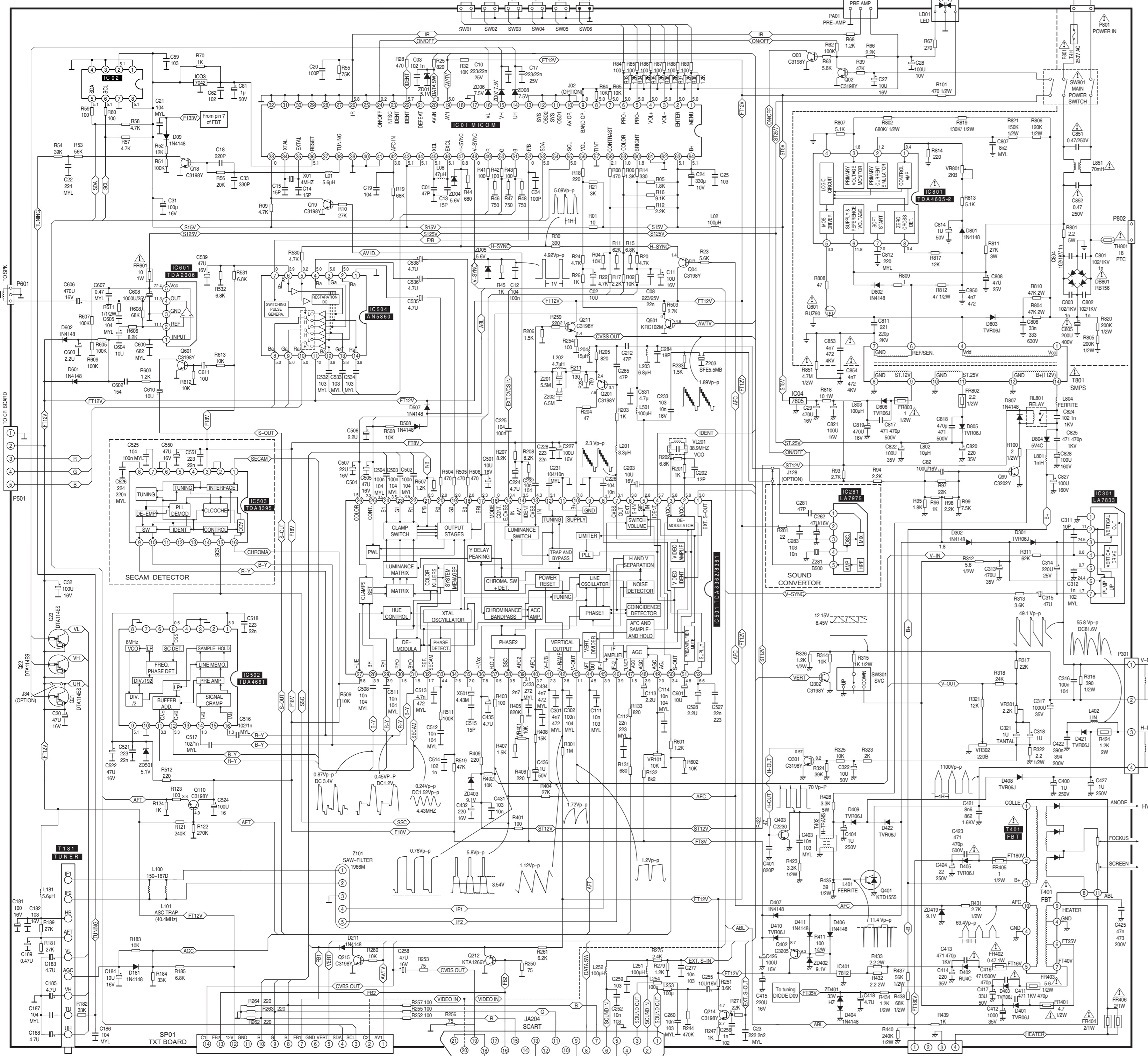


OTVC GoldStar CK14A80X chassis PC31A



THE TABLE OF INCH CONVERSION

CIRCUIT NO	1"	2"	2 1/2"	REMARK
CPT	A34KX12X	A48KX12X	A51KX12X	CPT
D Y	061M	151D	110F	153
T401	064P	106C	194D	FBT (154-1)
C421	772	862	822	MPP 1.6KV
C422	364	474	474	MPP 200V
L402	224L	224C	224C	COIL (150-)
L901	104H	104H	100H	COIL
FR404	2	2	3.9	RES FUSIBLE 1W
FR406	3	2	3	RES FUSIBLE 1W
R05	1.5K	1.8K	1.8K	RES FIXED 16W
R14	820	330	330	RES FIXED 16W
R15	12K	6.8K	6.8K	RES FIXED 16W
R20	2.7K	4.7K	4.7K	RES FIXED 16W
R21	6.8K	4.7K	5.6K	RES FIXED 16W
R217	22K	22K	27K	RES FIXED 16W
R427	68K	58K	58K	RES FIXED 12W
R438	82K	68K	68K	RES FIXED 12W

THE TABLE OF RECEIVING SYSTEM

CIRCUIT NO	B/H	B/G	D/K	I/K	REMARKS
R06	1.5K	1.3K	1.2K	1.5K	CARBON FILM RESISTOR
R081	-	-	22	-	-
R202	6.8K	6.8K	10K	6.8K	-
L203	6.8uH	6.8uH	3.9uH	6.8uH	INDUCTOR
L204	33uH	15uH	5.6uH	8.2uH	INDUCTOR
C281	TN WIRE	TN WIRE	47pF	TN WIRE	CAP. TABULAR
C282	-	-	47uF	-	CAP. CE
C283	-	-	10pF	-	CAP. TABULAR
C284	-	-	18P	-	CAP. TABULAR
C285	-	-	47P	-	CAP. TABULAR
C525	-	-	0.1uF	50V	CAP. MYLAR
C526	-	-	22uF	50V	CAP. CE
C550	-	-	47uF	16V	CAP. CE
C551	-	-	0.022uF	50V	CAP. CERAMIC
C851/C82	154 250V	474 250V	154 250V	154 250V	X-CAPACITOR
C853	TN WIRE	4700uH	4700uH	TN WIRE	Y-CAPACITOR
C854	2200uF	4700uH	4700uH	2200uH	Y-CAPACITOR
Q21	DA114ES	DA114ES	DA114ES	-	TRANSISTOR
Q22	DA114ES	DA114ES	DA114ES	-	TRANSISTOR
Q23	DA114ES	DA114ES	DA114ES	-	TRANSISTOR
Q281	-	-	LA7975	-	S-CONVERTOR
Q2811	TD48381	TD48381	TD48381	TD48381	JANGLE
Q282	-	-	TD48381	-	SECAM
Z101	Q1969M	Q1969M	K1950	J1935M	SAW FILTER
Z201	TPS5.5M	TPS5.5M	TPS5.5M	TPS5.5M	FILTER TRAP
Z202	TPS5.5M	TPS5.5M	TPS5.5M	TPS5.5M	FILTER TRAP
Z203	5.5M	5.5M	6.0M	6.0M	FILTER BPF
Z281	-	-	CS8000	-	RESONATOR
Z282	232B	232C	2380	238E	TUNER (HYPER BAND)
J02	-	-	-	-	TN WIRE
J54	-	-	-	-	TN WIRE
J84	-	-	-	-	TN WIRE

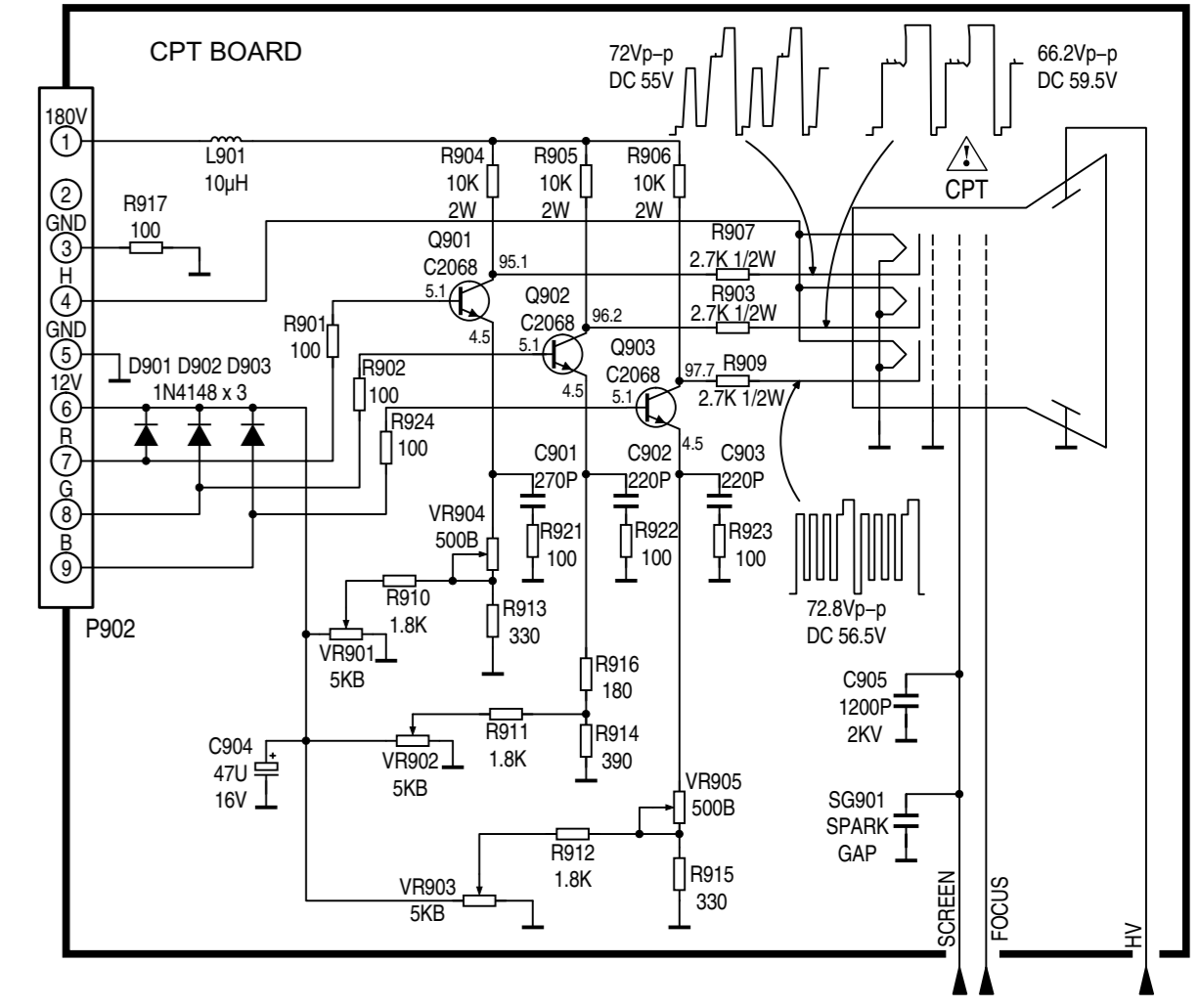
LANGUAGE OPTION FOR TELETEXT IC (SDA2010: TIC04)

AREA PIN NO.	WESTERN EUROPE	EASTERN EUROPE	TURKEY
23	LOW(1)	HIGH(1)	LOW(1)
24	LOW(1)	HIGH(1)	LOW(1)
TIC02	SDA248C1	SDA248C2	SDA248TR
PWB	111-K26A	111-K26B	111-K26C

REMARK: LOW(1): GROUND HIGH(1): B+ OPEN

KEY MATRIX TABLE

OUTPUT PIN NO.	9	10	11	12	13	15	16	17
21	7	6	5	4	3	2	1	0
22	7	6	5	4	3	2	1	0
23	7	6	5	4	3	2	1	0
24	7	6	5	4	3	2	1	0
25	7	6	5	4	3	2	1	0
26	7	6	5	4	3	2	1	0
27	7	6	5	4	3	2	1	0



OTVC GoldStar CK14A80X chassis PC31A