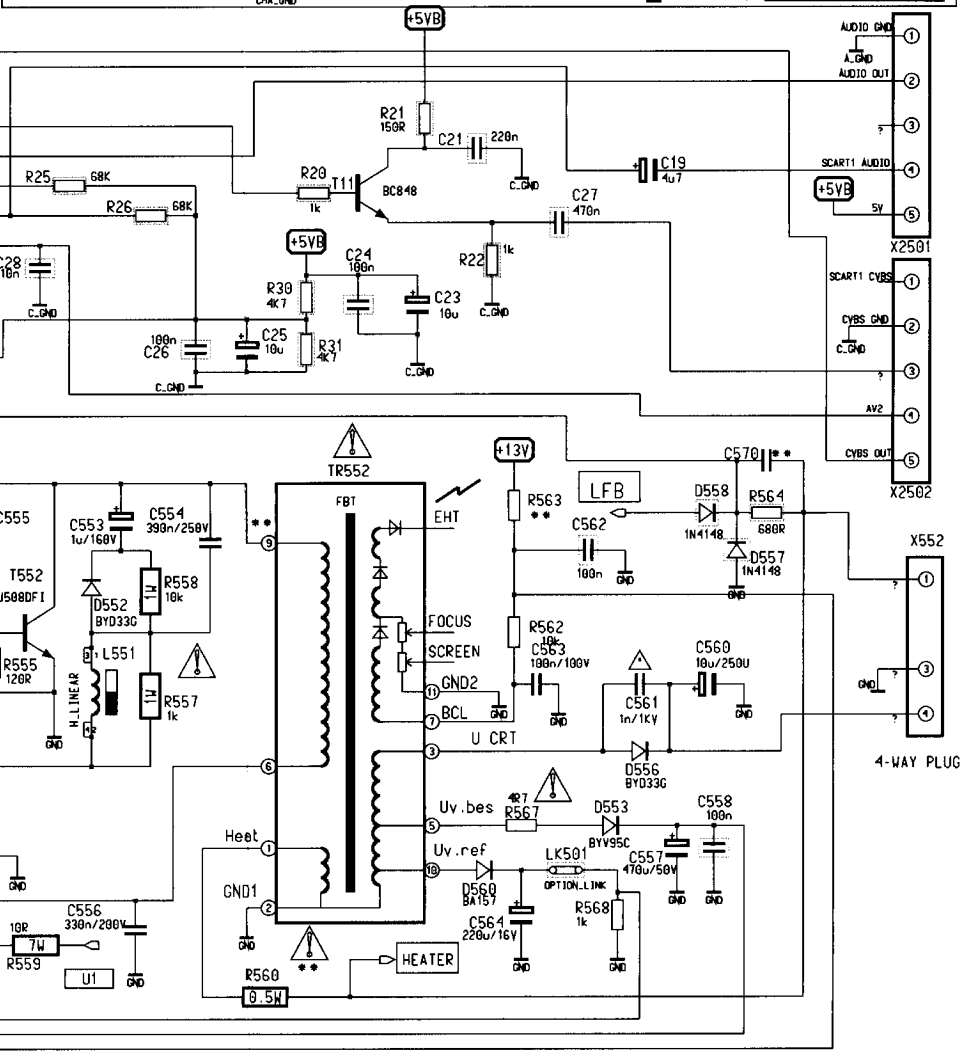
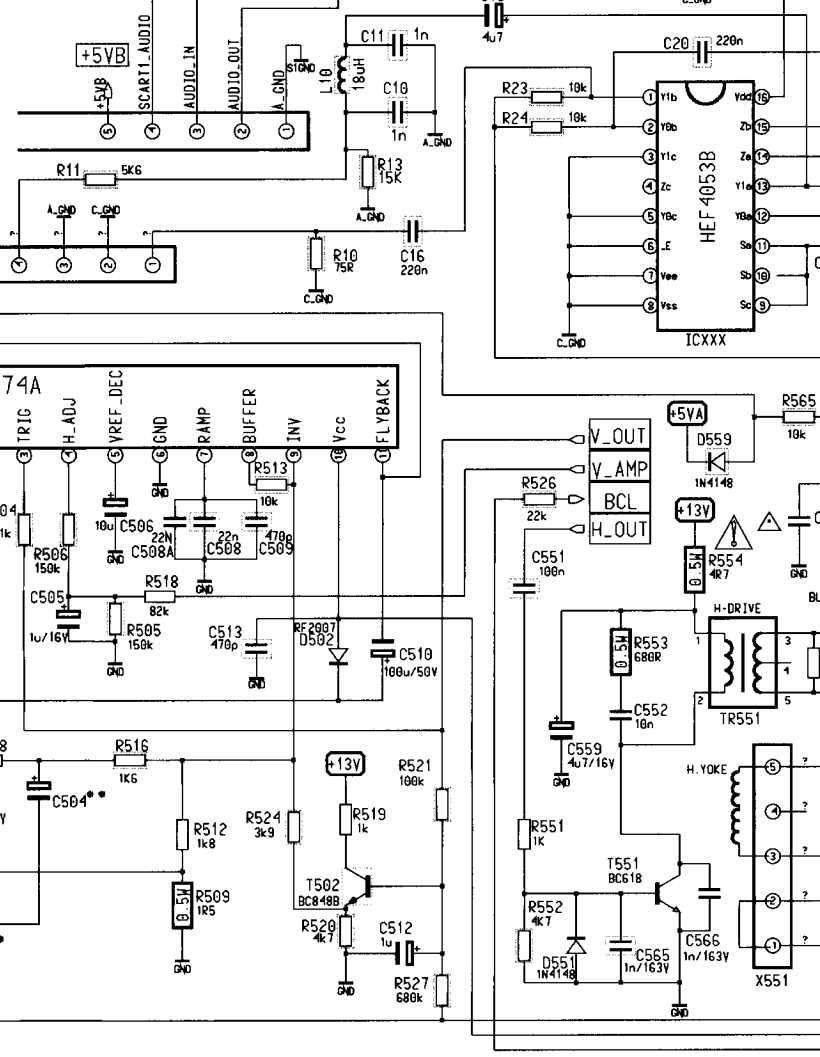
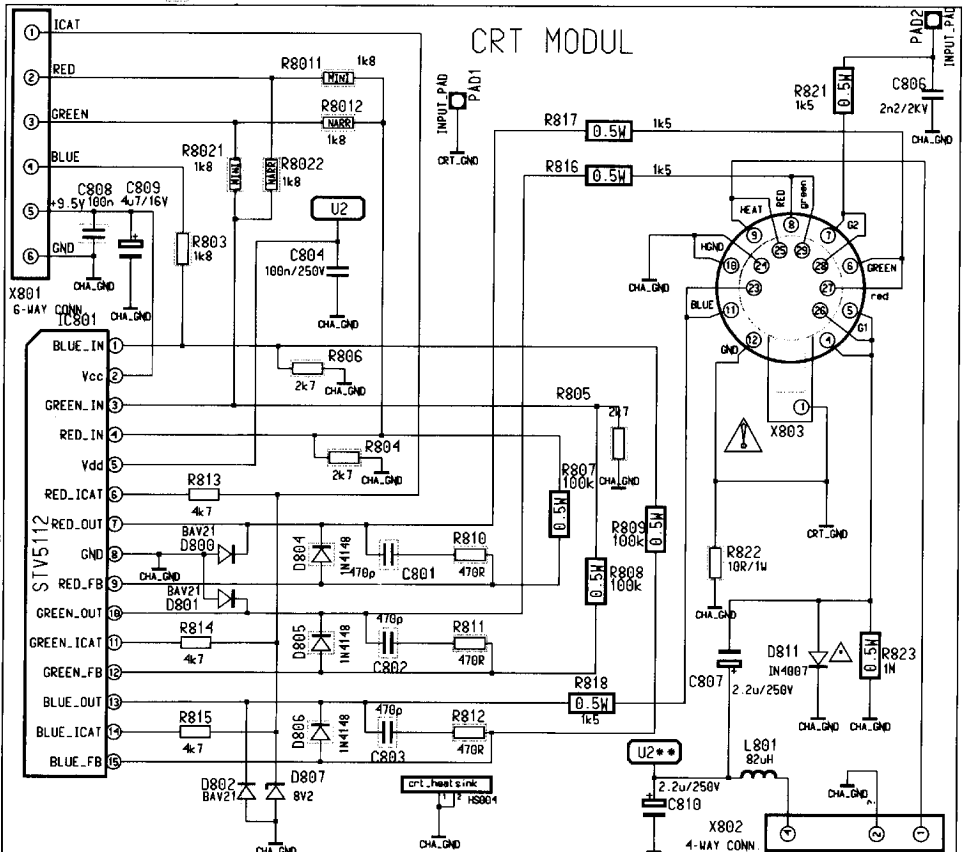
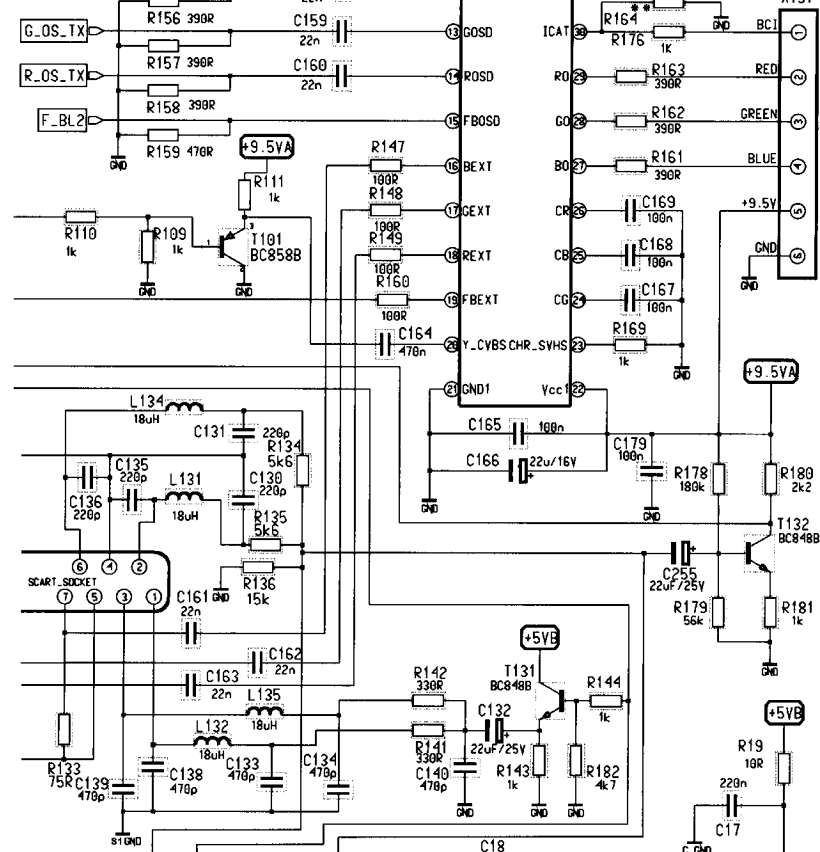
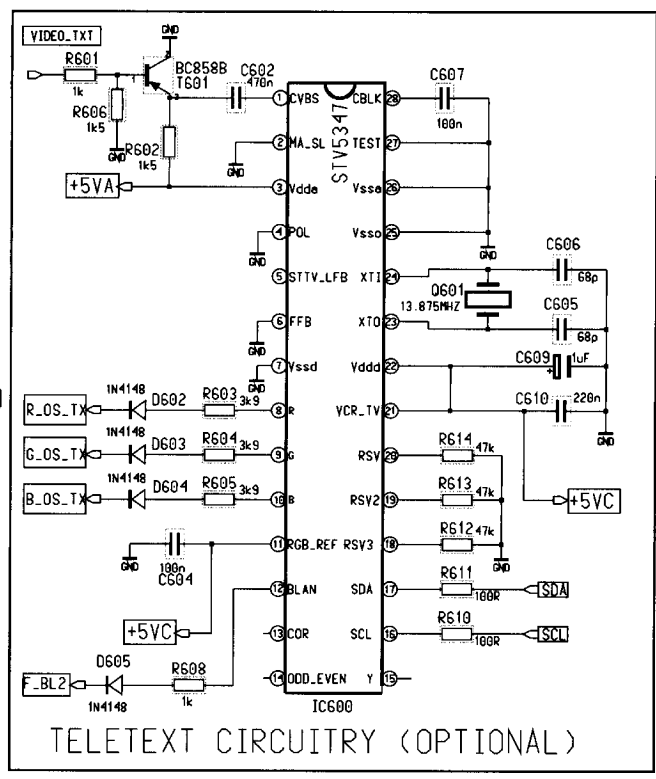
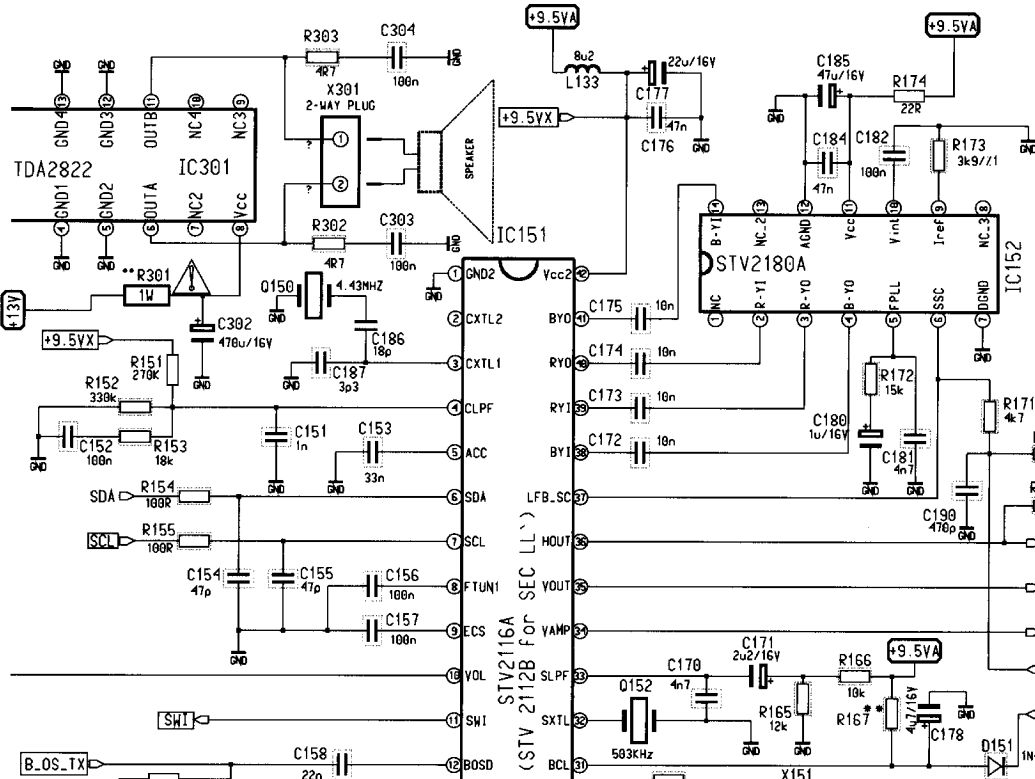


**CTV CHASSIS 12.1 V1**

D401: UHF ONLY TUNER	OSD_LANG_ENGLISH	D402	D404	D405	14" SAMSUNG CPT: U1=108V; R510=150R; R560=1R2; R563=8K2; C504=100uF; C555=6n8F; R164=47k; R167=220k;
D403: BACKGROUND FREE OSD	OSD_LANG_FRENCH	-	-	-	14" LG CPT: U1=104V; R510=150R; R560=1R2; R563=8K2; C504=100uF; C555=6n8F; R164=47k; R167=220k;
D411: AV2	OSD_LANG_GERMAN	-	-	-	14" PHILIPS CPT: U1=107V; R510=150R; R560=1R2; R563=8K2; C504=100uF; C555=6n8F; R164=47k; R167=220k;
D407: SEC L/L'	OSD_LANG_ITALIAN	-	-	-	14" PHILIPS CPT: U1=113V; R510=150R; R560=R47; R563=8K2; C504=100uF; C555=8n2F; R164=47k; R167=220k;
	OSD_LANG_SPANISH	-	-	-	20" SAMSUNG CPT: U1=121V; R510=100R; R560=R47; R563=6K8; C504=220uF; C555=9n1F; R164=15k; R167=100k;
					20" LG CPT: U1=117V; R510=100R; R560=R22; R563=6K8; C504=220uF; C555=8n2F; R164=15k; R167=100k;
					21" SAMSUNG CPT: U1=119V; R510=100R; R560=R47; R563=6K8; C504=220uF; C555=8n2F; R164=15k; R167=100k;
					21" LG CPT: U1=113V; R510=100R; R560=R10; R563=6K8; C504=220uF; C555=8n2F; R164=15k; R167=100k;

EMC related components: C130,C131,C,133,C134,C135,C136,C138,C139



- U2=185V; P901=2k2; R527=open; R301=3R3; C570=open
- U2=185V; P901=2k2; R527=680k; R301=3R3; C570=open
- U2=185V; P901=2k2; R527=open; R301=3R3; C570=open
- U2=220V; P901=4k7; R527=open; R301=2R2; C570=10nF
- U2=220V; P901=4k7; R527=open; R301=2R2; C570=10nF
- U2=220V; P901=4k7; R527=680k; R301=2R2; C570=10nF
- U2=220V; P901=4k7; R527=680k; R301=2R2; C570=10nF
- U2=220V; P901=4k7; R527=680k; R301=2R2; C570=10nF
- C921= 390pF
- C921= 390pF
- C921= 390pF
- C921= 680pF
- C921= 680pF
- C921= 680pF
- C921= 680pF

\*\*\* Optional components :C922 ,R926 ,C924

Subject change without notice

