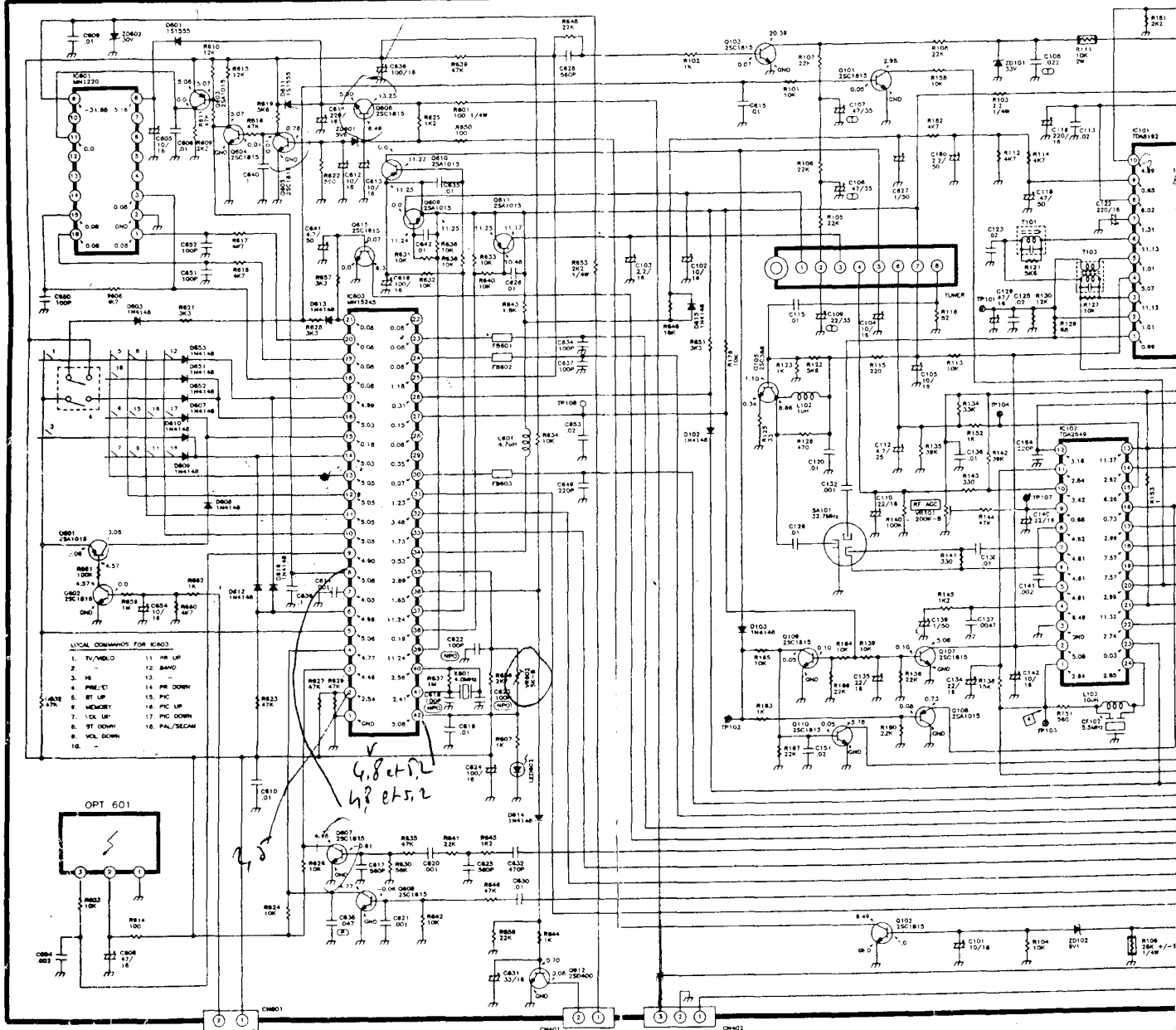


*si MS de une fus
Pas d'alarme PIN 42*

via 2605, 2607

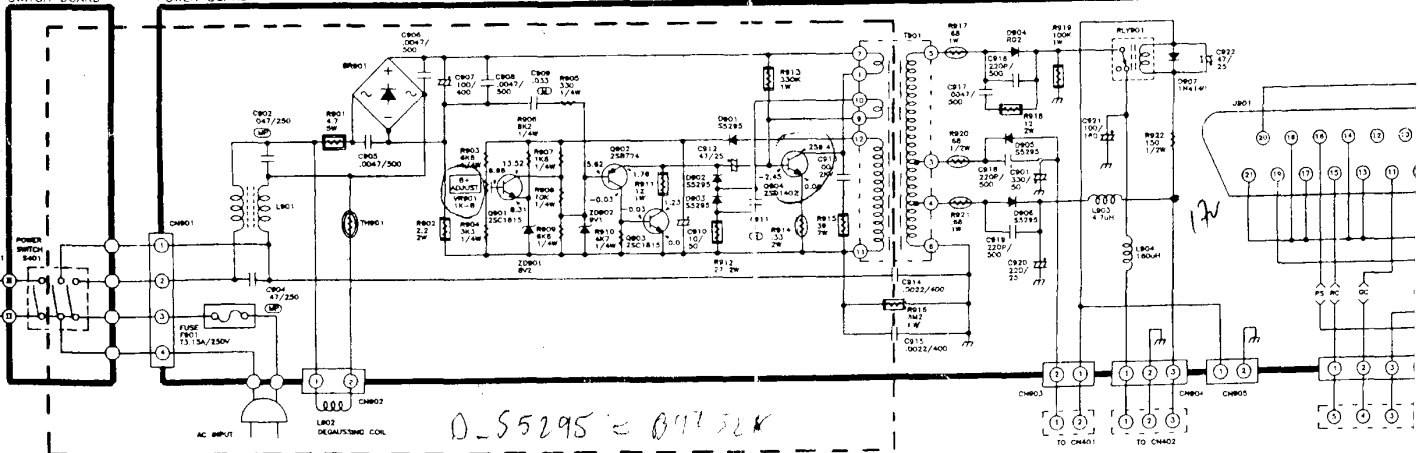
SCHEMATIC DIAGRAM FOR PAL-SECAM SYSTEM

MAIN BOARD

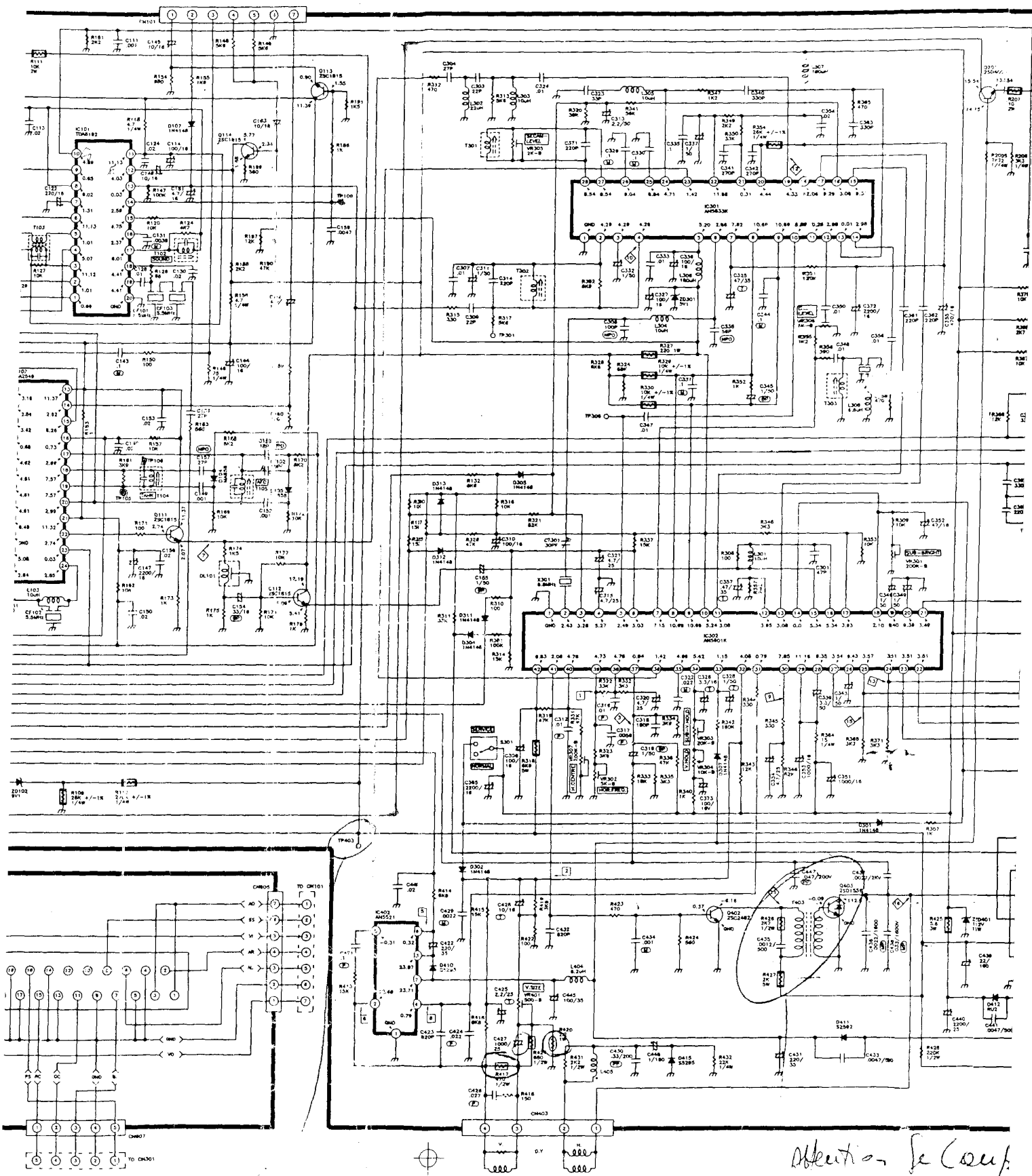


SWITCH BOARD

POWER BOARD

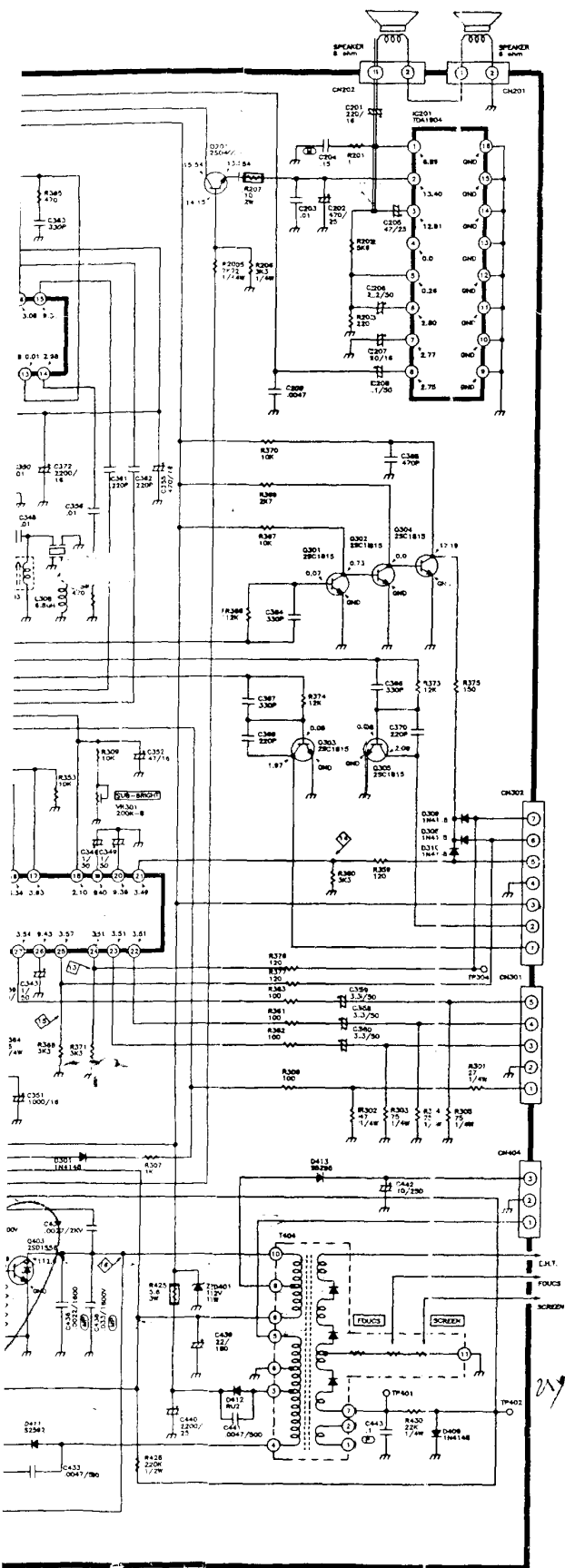


VRG-2 Percentage and display (see details per Ex)

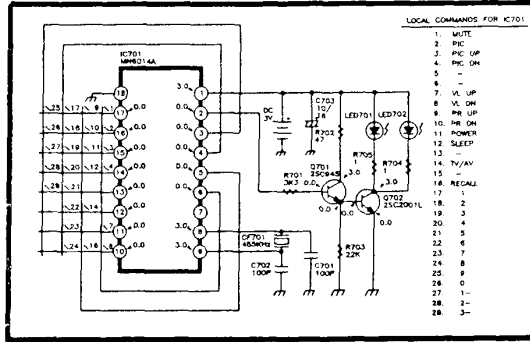


112.5 V
cable VR90Z

Attention le Coup
pas de U. sur ce
trans + dis



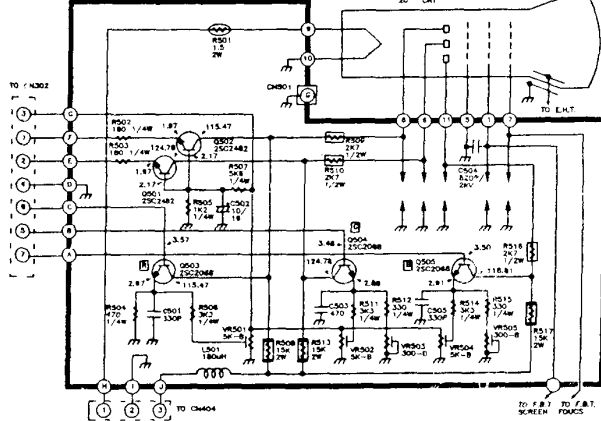
HANDSET BOARD



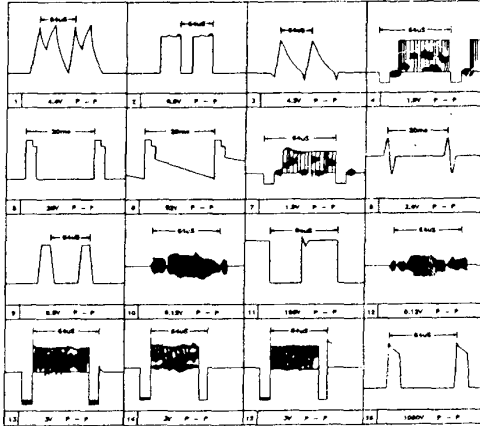
LOCAL COMMANDS FOR IC701

1	MUTE
2	PHC
3	PHC UP
4	PHC DN
5	-
6	-
7	TV/AV
8	DM
9	MR UP
10	MR DN
11	POWER
12	SLEEP
13	-
14	TV/AV
15	-
16	REGALL
17	1
18	2
19	3
20	4
21	5
22	6
23	7
24	8
25	9
26	0
27	1
28	2
29	3

CRT BOARD



WAVEFORM



- NOTE:
- (1) ALL CAPACITORS ARE IN UF UNLESS OTHERWISE NOTED. ALL CAPACITORS ARE 50V UNLESS OTHERWISE NOTED.
 - (2) CAPACITOR NOT SPECIFICALLY DESIGNATED ARE CERAMIC CAPACITORS.
 - (3) ALL RESISTORS ARE IN OHM 1/16 WATT UNLESS OTHERWISE NOTED.
 - (4) RESISTOR NOT SPECIFICALLY DESIGNATED ARE CARBON FILM RESISTORS.
 - (5) DC VOLTAGE ARE MEASURED FROM POINTS INDICATED TO THE CIRCUIT GROUND WITH A DIGITAL MULTIMETER TEST.
 - (6) WAVEFORMS ARE TAKEN WITH SETTING CONTROLS TO A NORMAL CONDITIONS (COLOR PHILIPS PATTERN).
 - (7) THIS CIRCUIT DIAGRAM IS SUBJECT TO CHANGE WITHOUT PRIOR NOTICE.
 - (8) ⚠ SAFETY CRITICAL DEVICE.

CIRCUIT SYMBOLS	
RESISTOR	CAPACITOR
NONFLAMMABLE	ELECTROLYC
FUSIBLE	POLYPROPYLEME
CEMENT	E. POLAR ELECTROLYC
METAL OXIDE	MYLAR
THERMISTOR	LITHALUM
	METALLIZED POLYESTER
	POLYESTER FILM

KONG WAH VIDEO ENGINEERING LTD.	
TITLE: SCHEMATIC DIAGRAM	
MODEL: K-3922	SYSTEM: PAL-SECAM-I
DRAW NO: 3922-08	COUNTRY: FRANCE
DATE: MAY 10, 1990	REV NO: R (P-2-91)

attention le Coupe
 de U - sur collecteur
 Trans - Drive