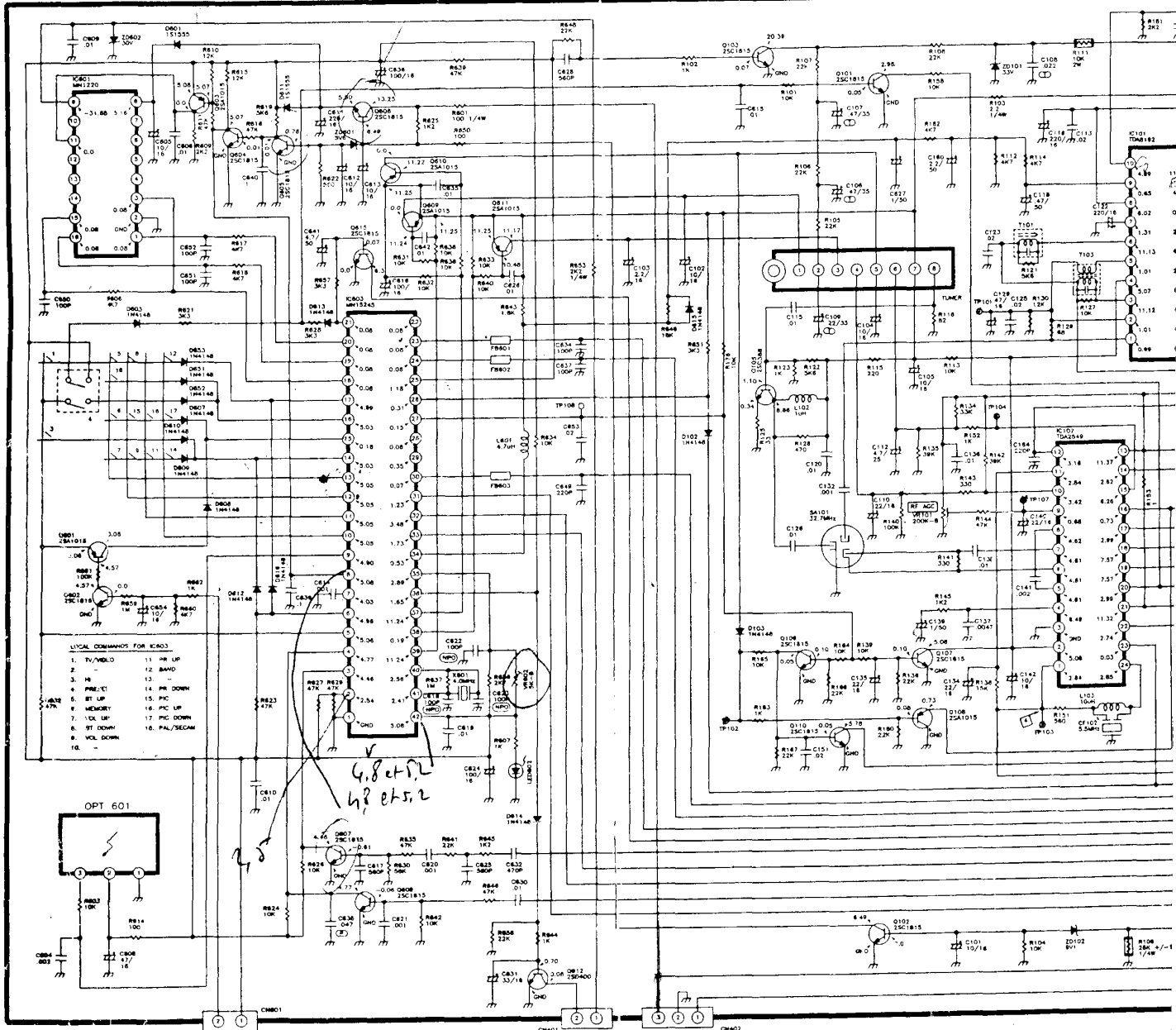


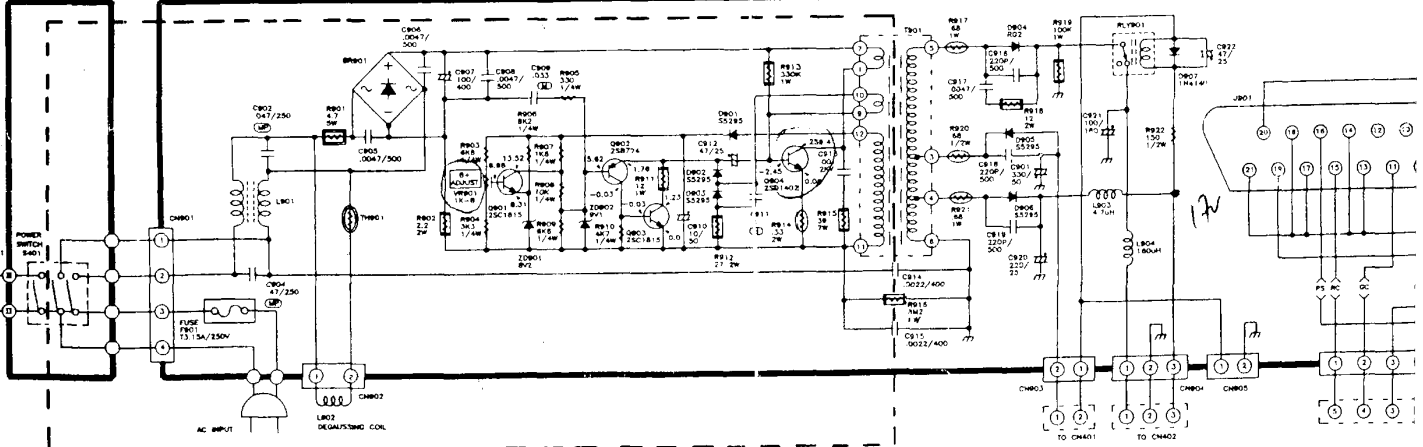
SCHEMATIC DIAGRAM FOR PAL-SECAM SYSTEM

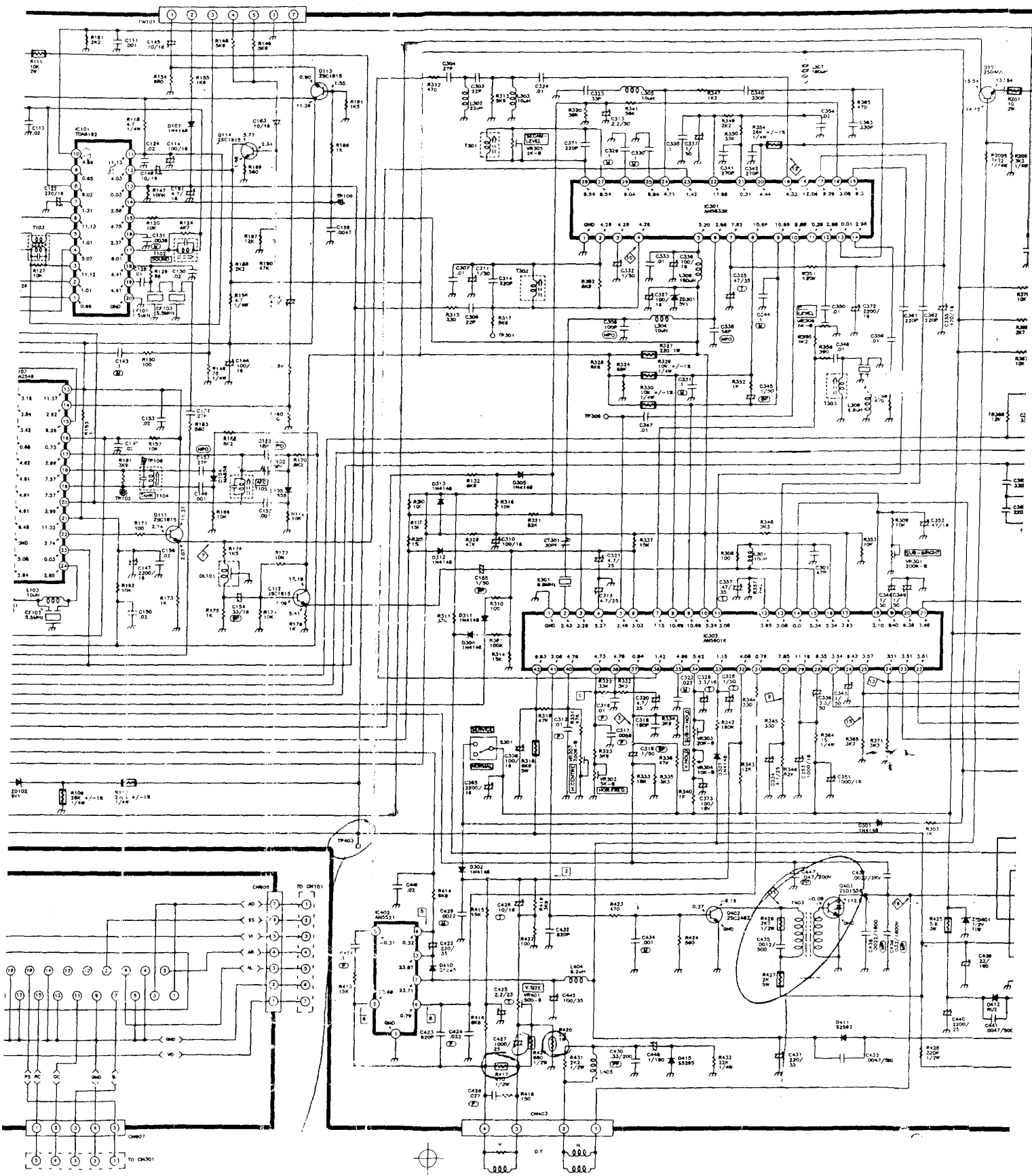
MAIN BOARD

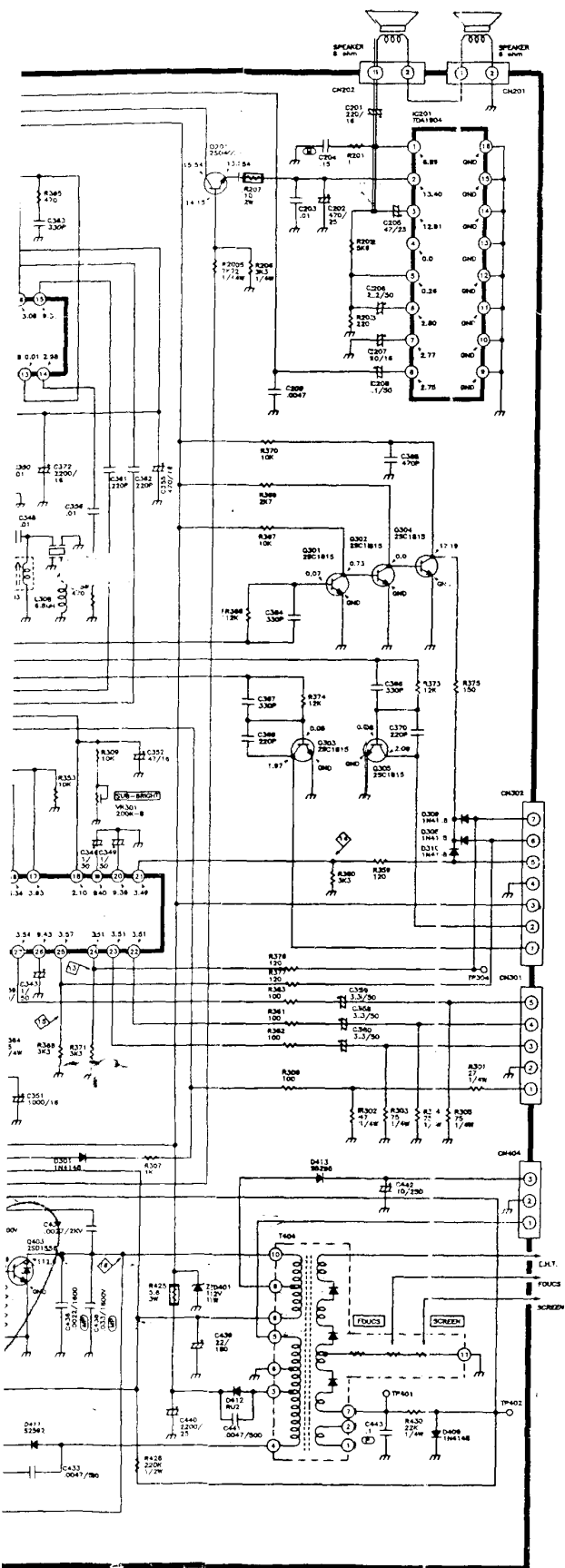


SWITCH BOARD

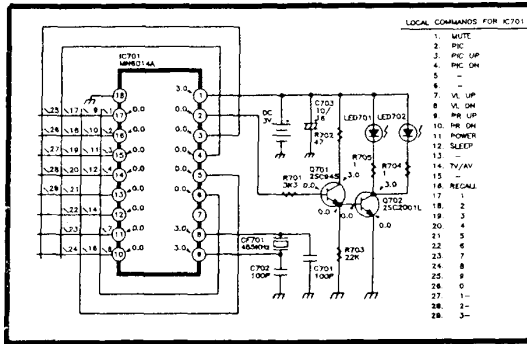
POWER BOARD



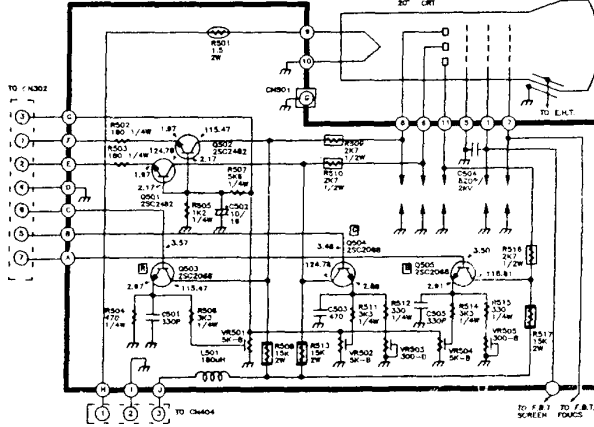




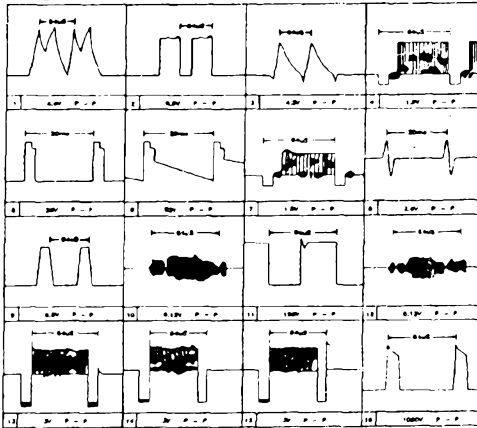
HANDSET BOARD



CRT BOARD



WAVEFORM



- NOTE:
- (1) ALL CAPACITORS ARE IN μF UNLESS OTHERWISE NOTED ALL CAPACITORS ARE 50V UNLESS OTHERWISE NOTED
 - (2) CAPACITOR NOT SPECIFICALLY DESIGNATED ARE CERAMIC CAPACITORS.
 - (3) ALL RESISTORS ARE IN OHM 1/16 WATT UNLESS OTHERWISE NOTED.
 - (4) RESISTOR NOT SPECIFICALLY DESIGNATED ARE CARBON FILM RESISTORS
 - (5) DC VOLTAGE ARE MEASURED FROM POINTS INDICATED TO THE CIRCUIT GROUND WITH A DIGITAL MULTIMETER TEST.
 - (6) WAVEFORMS ARE TAKEN WITH SETTING CONTROLS TO A NORMAL CONDITIONS (COLOR PHILIPS PATTERN)
 - (7) THIS CIRCUIT DIAGRAM IS SUBJECT TO CHANGE WITHOUT PRIOR NOTICE.
 - (8) ⚠ SAFETY CRITICAL DEVICE.

CIRCUIT SYMBOLS		
RESISTOR	CAPACITOR	
NON-FLAMMABLE	ELECTROLYC	POLYPROPYLENE
FUSIBLE	B. FILM ELECTROLYC	MYLAR
COMPOS	TANTALUM	
METAL OXIDE	METALLIZED ELECTROLYC	
THERMISTOR	POLYESTER FILM	

KONG WAH VIDEO ENGINEERING LTD.	
TITLE: SCHEMATIC DIAGRAM	
MODEL: R-3922	SYSTEM: PAL-SECAM-1
DRAW NO: 3922-08	COUNTRY: FRANCE
DATE: MAY 10, 1980	REV NO: R (P-2-91)