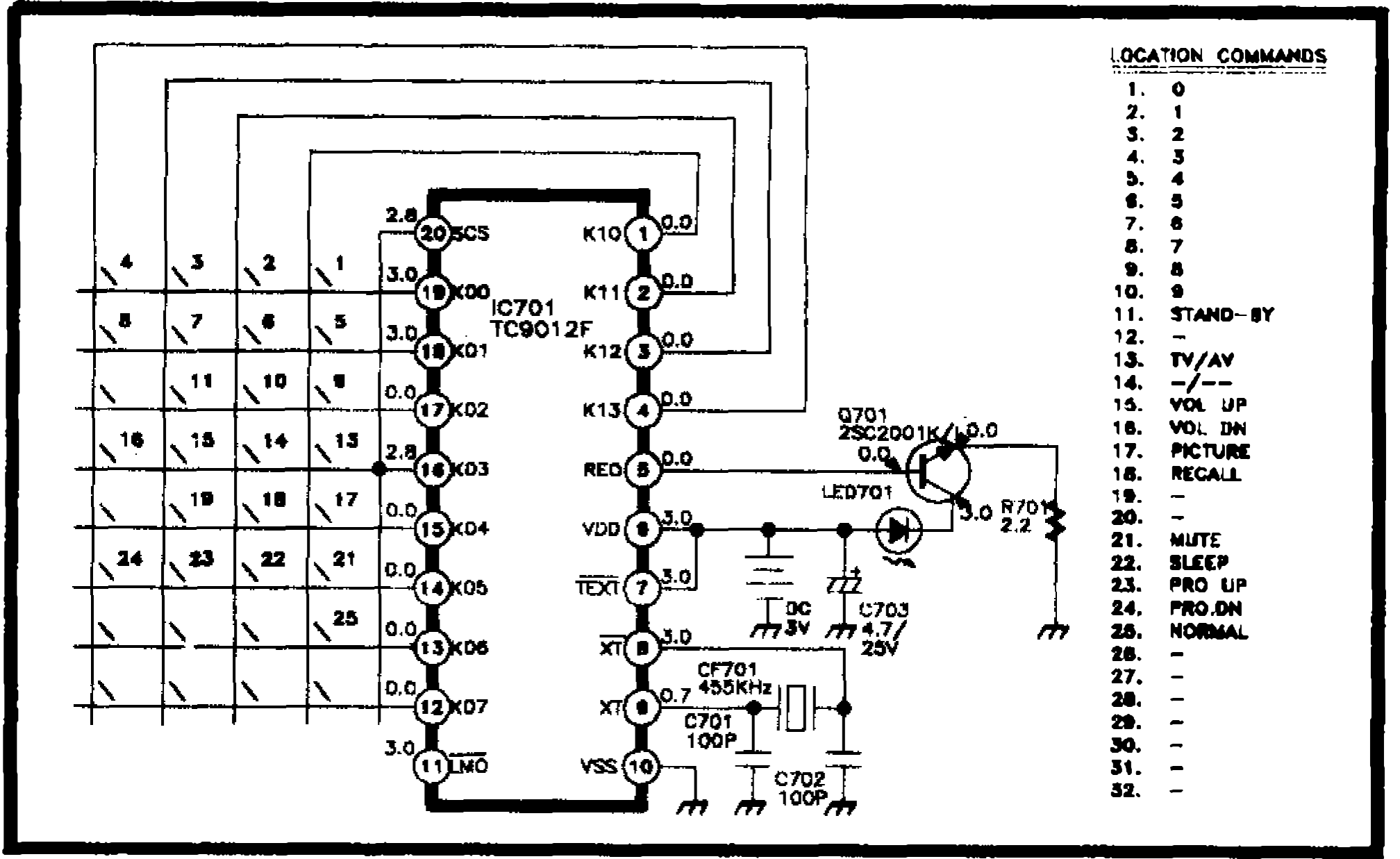
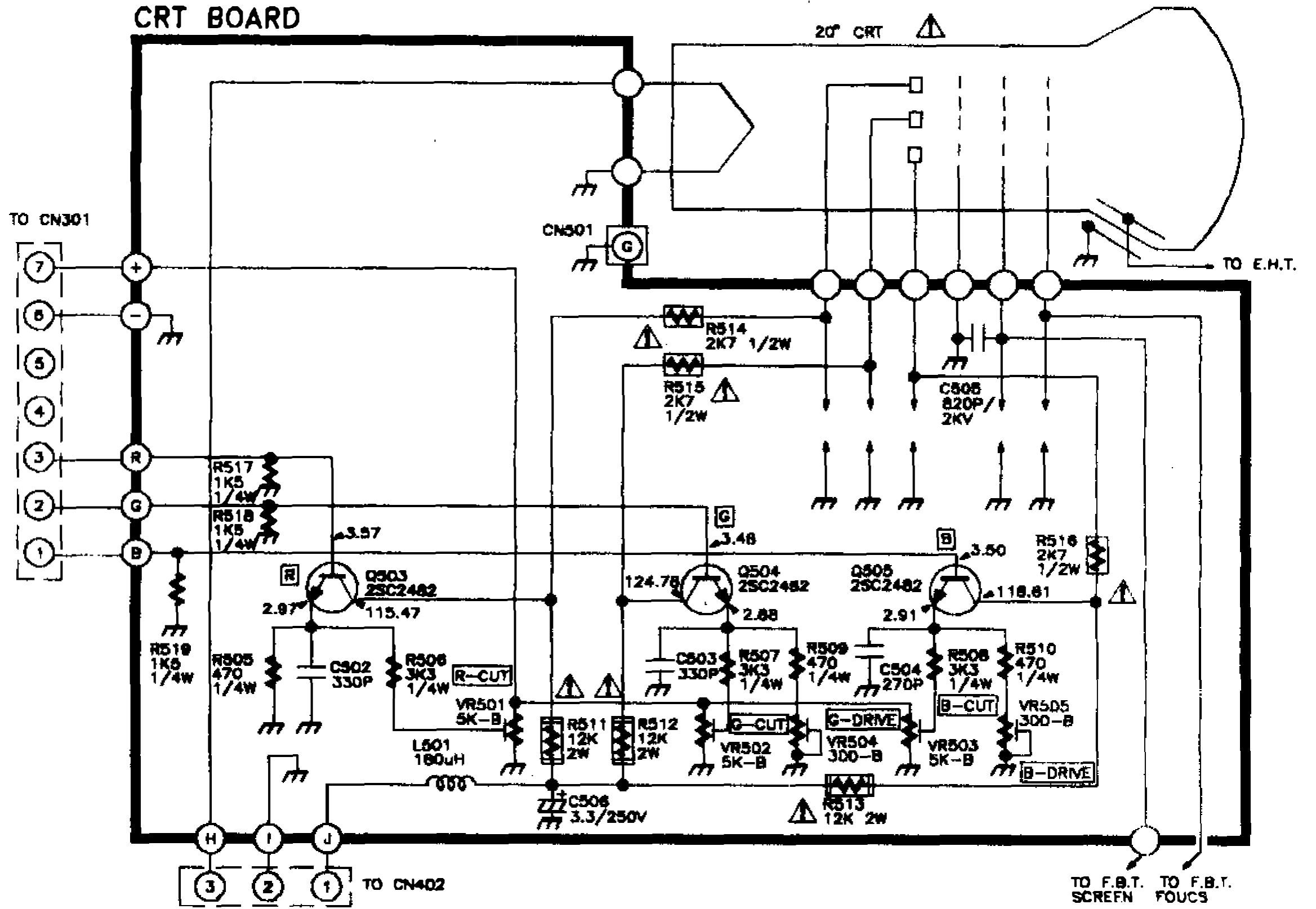


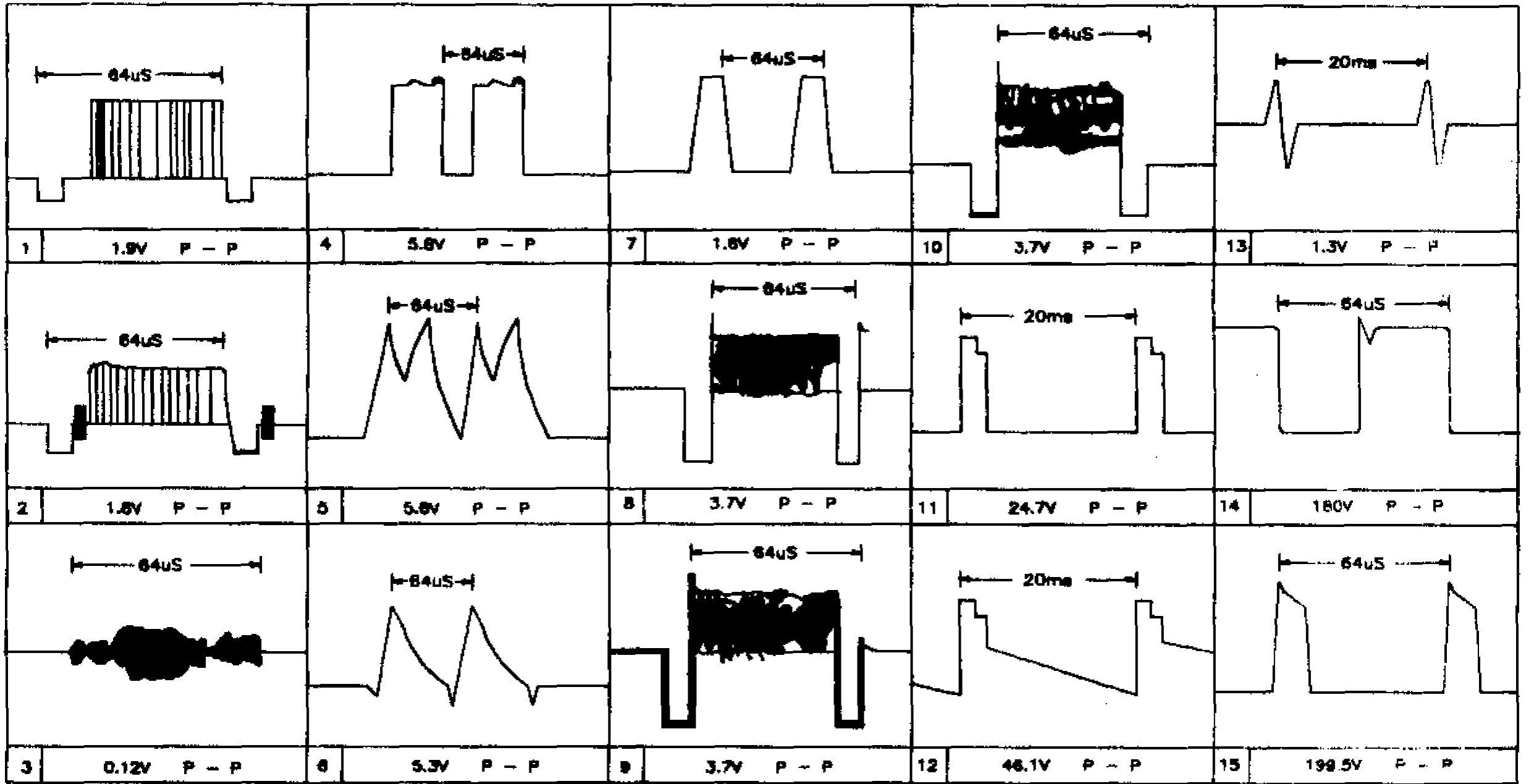
HANDSET BOARD



CRT BOARD



WAVEFORM



REMARK :

- 5.5MHz FOR CF
- 6.0MHz FOR CF2

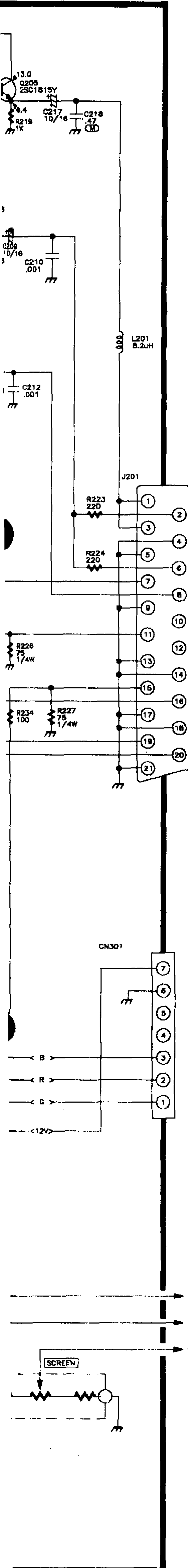
NOTE:

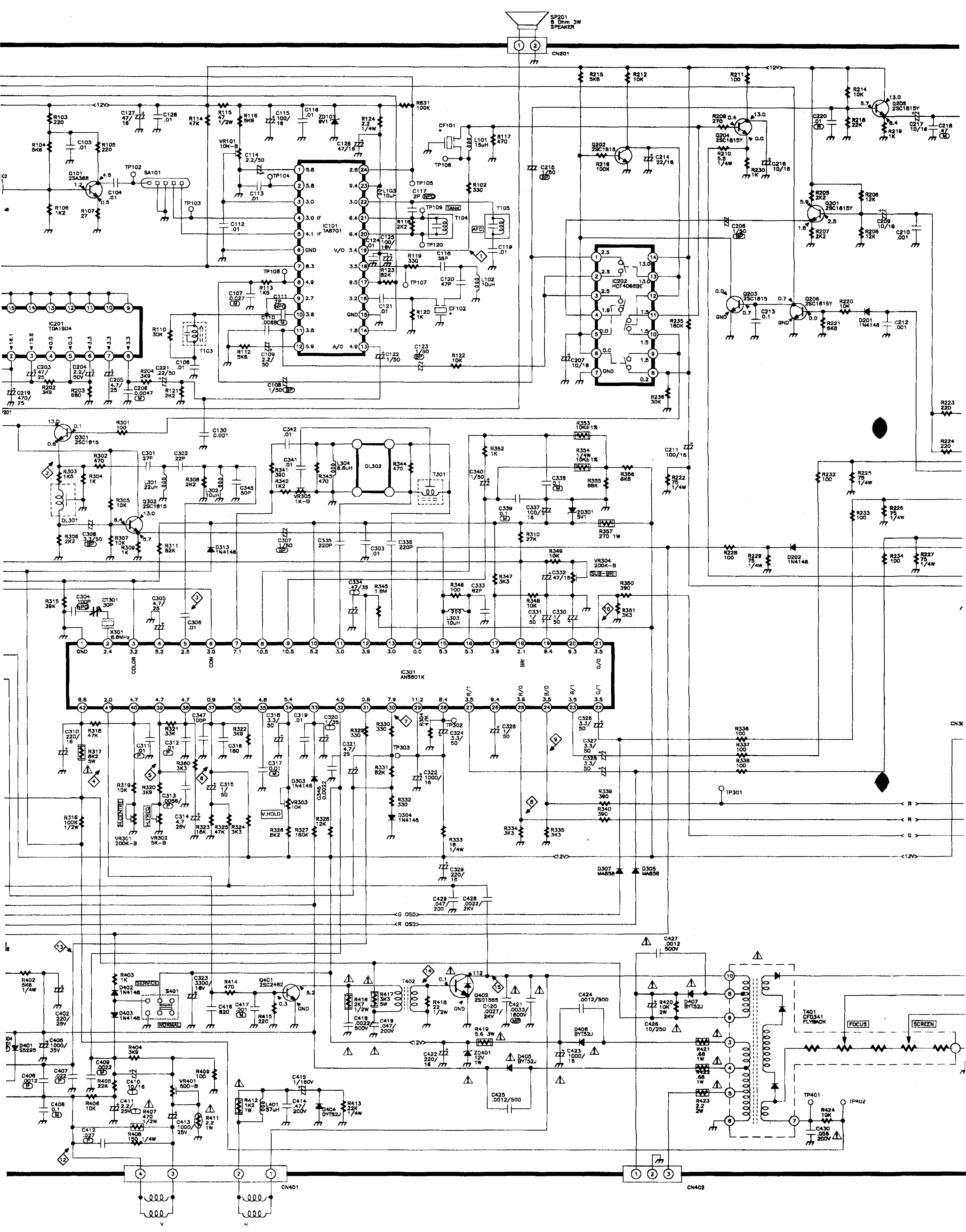
- (1) ALL CAPACITORS ARE IN uF UNLESS OTHERWISE NOTED.
- (2) ALL CAPACITORS ARE 50V UNLESS OTHERWISE NOTED.
- (3) CAPACITOR NOT SPECIFICALLY DESIGNATED ARE CERAMIC CAPACITORS.
- (4) ALL RESISTORS ARE IN OHM 1/16 WATT UNLESS OTHERWISE NOTED.
- (5) RESISTOR NOT SPECIFICALLY DESIGNATED ARE CARBON FILM RESISTORS.
- (6) DC VOLTAGE ARE MEASURED FROM POINTS INDICATED TO THE CIRCUIT GROUND WITH A DIGITAL MULTIMETER TEST.
- (7) WAVEFORMS ARE TAKEN WITH SETTING CONTROLS TO A NORMAL CONDITIONS (COLOR PHILIPS PATIEN). THIS CIRCUIT DIAGRAM IS SUBJECT TO CHANGE WITHOUT PRIOR NOTICE.
- (8) SAFETY CRITICAL DEVICE.

CIRCUIT SYMBOLS

RESISTOR	CAPACITOR	
NONFLAMMABLE	ELECTROLYC	POLYPROPYLENE
FUSEBLE	BI-POLAR ELECTROLYC	MYLAR
CEMENT	TANTALUM	
METAL OXIDE	METALLIZED POLYESTER	
THERMISTOR	POLYESTER FILM	

MODEL : CT-2012PT(10E40)	SYSTEM: PAL B/G
DRAWING NO. : 8220-06	PAGE 1 OF 1
DRAWN BY:	APPROVED: (PROJECT LEADER)
DATE: FEB 12. 89	REV NO. : B(04-05-85)





SCHEMATIC DIAGRAM FOR PAL B/G SYSTEM

RECEIVE BOARD

MAIN BOARD

