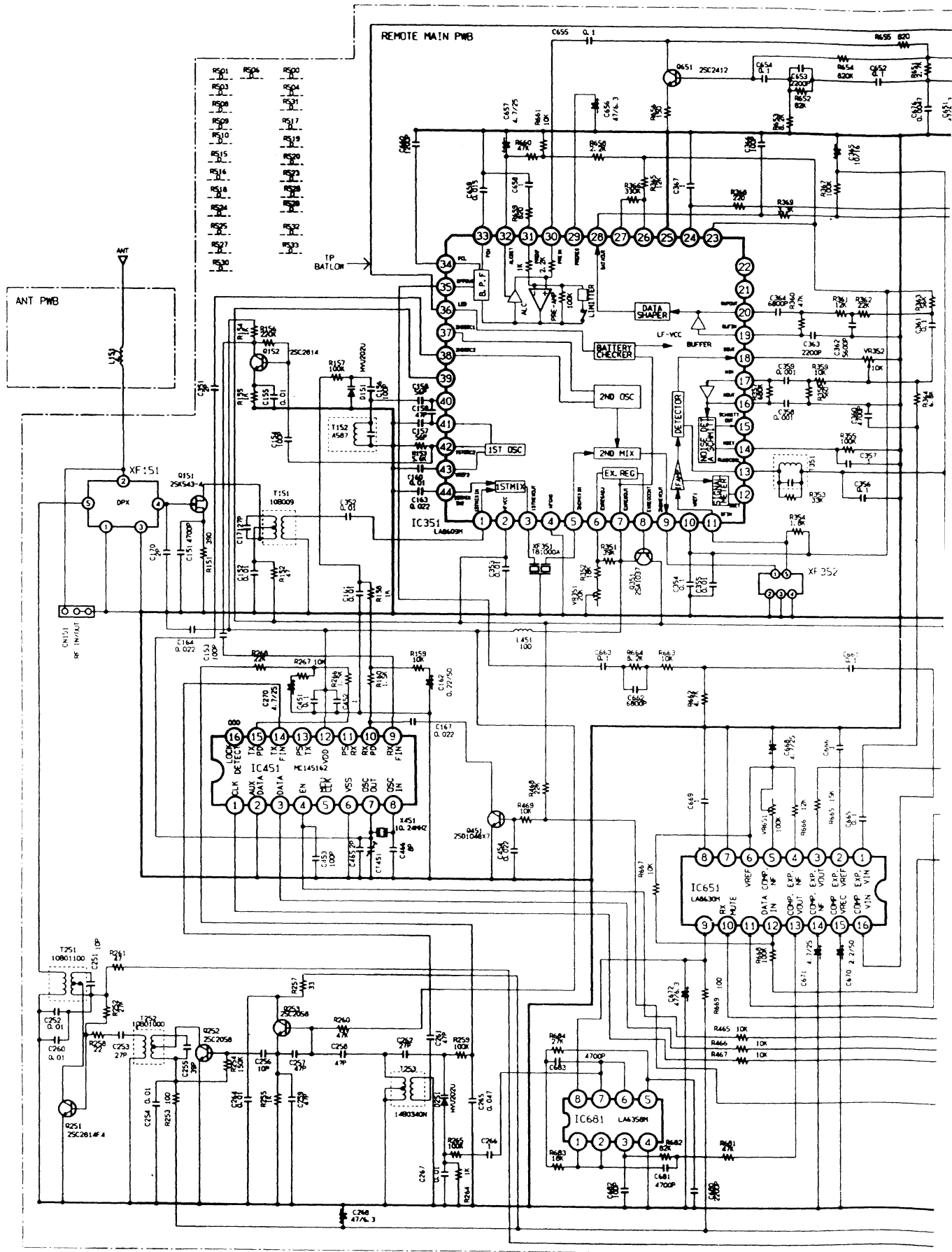
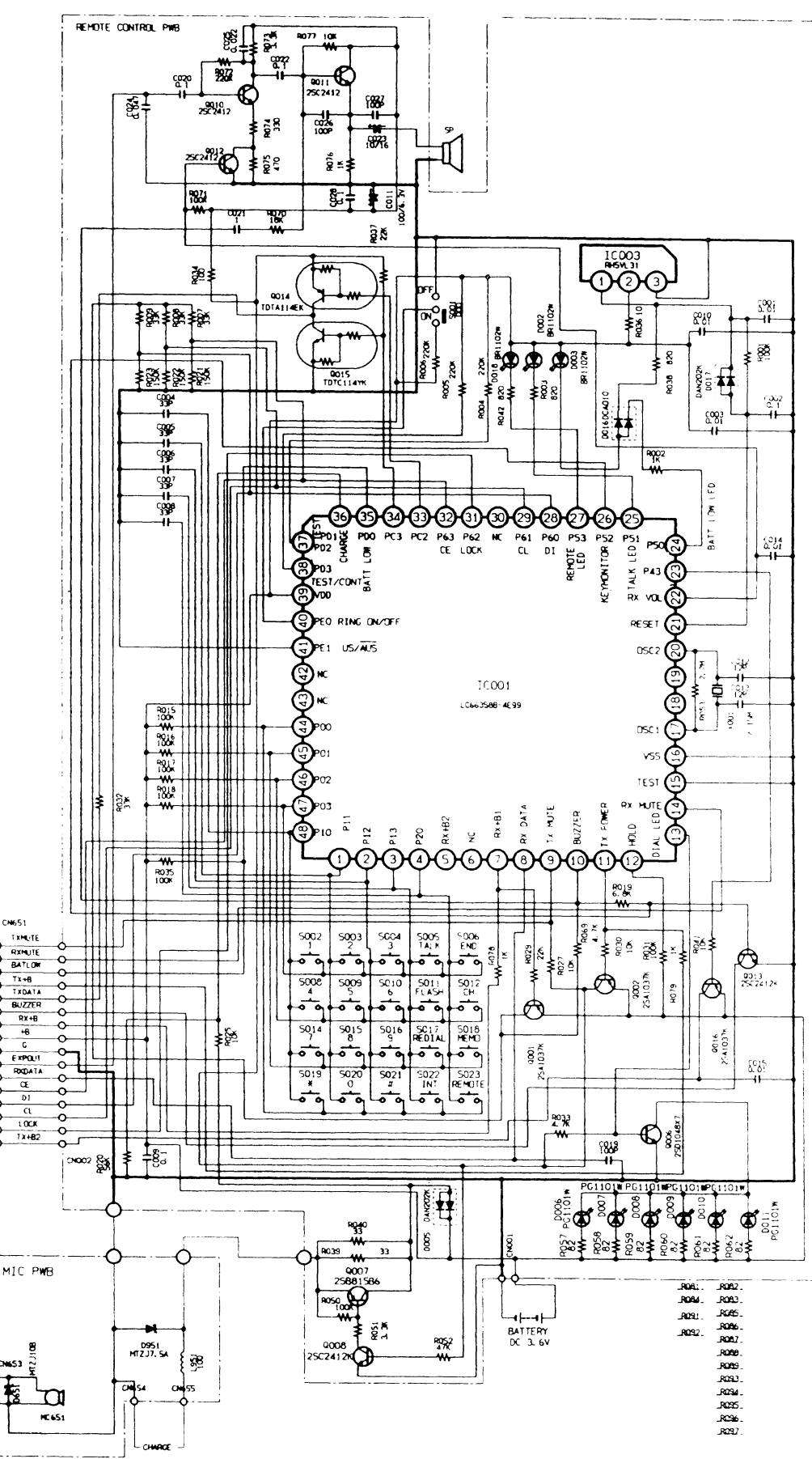
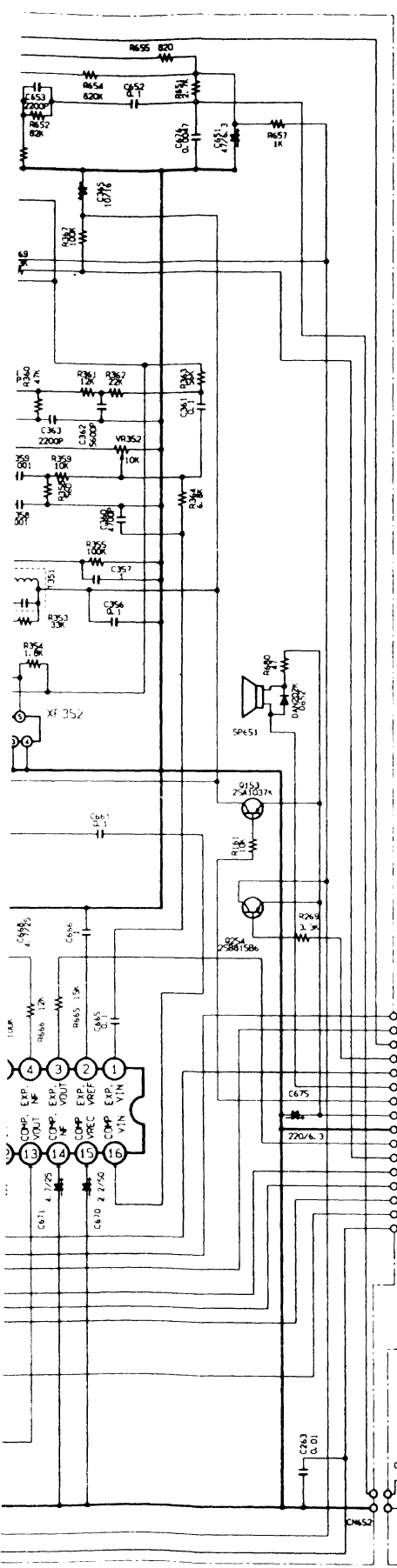
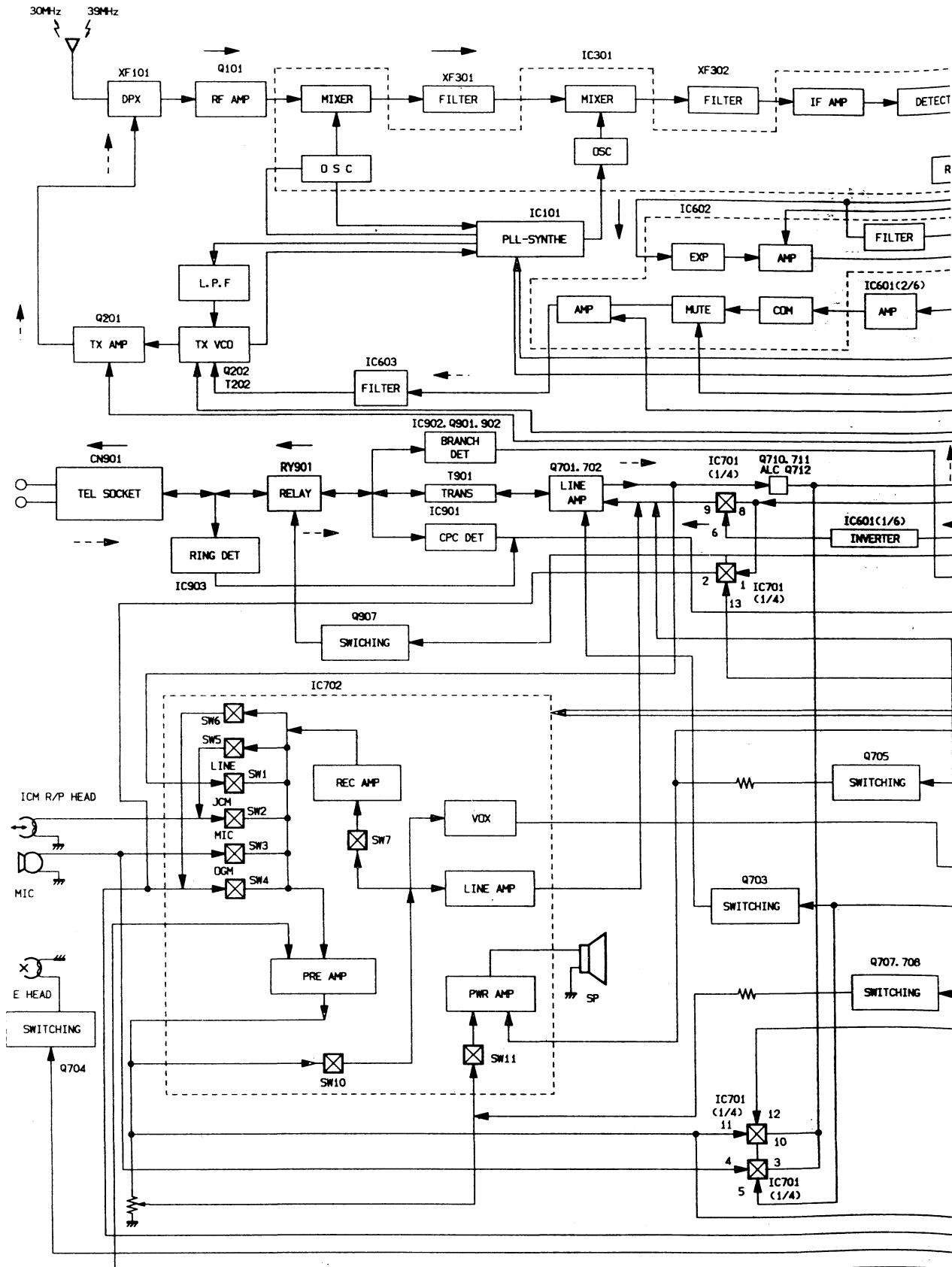


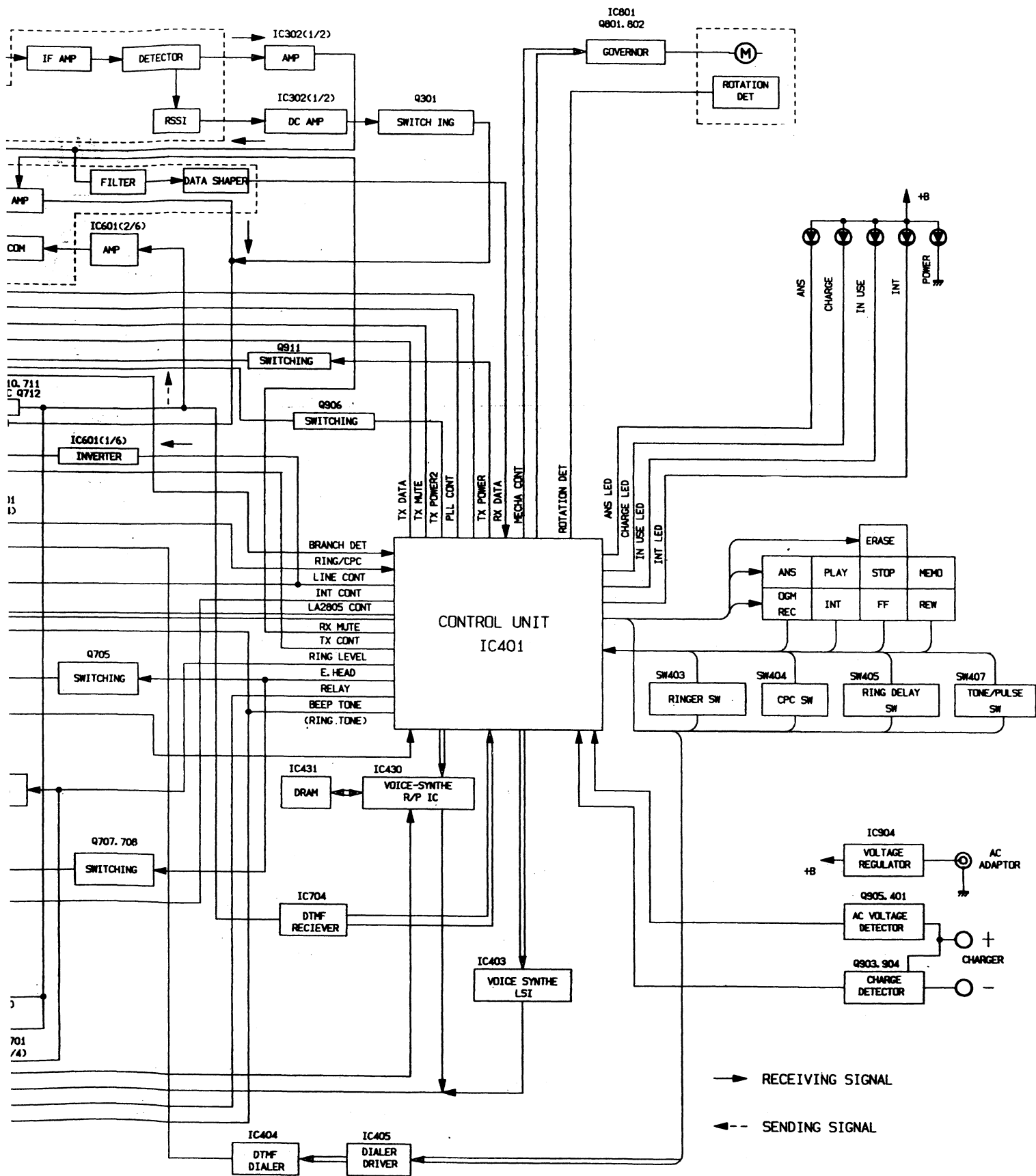
SCHEMATIC DIAGRAM (HANDSET)



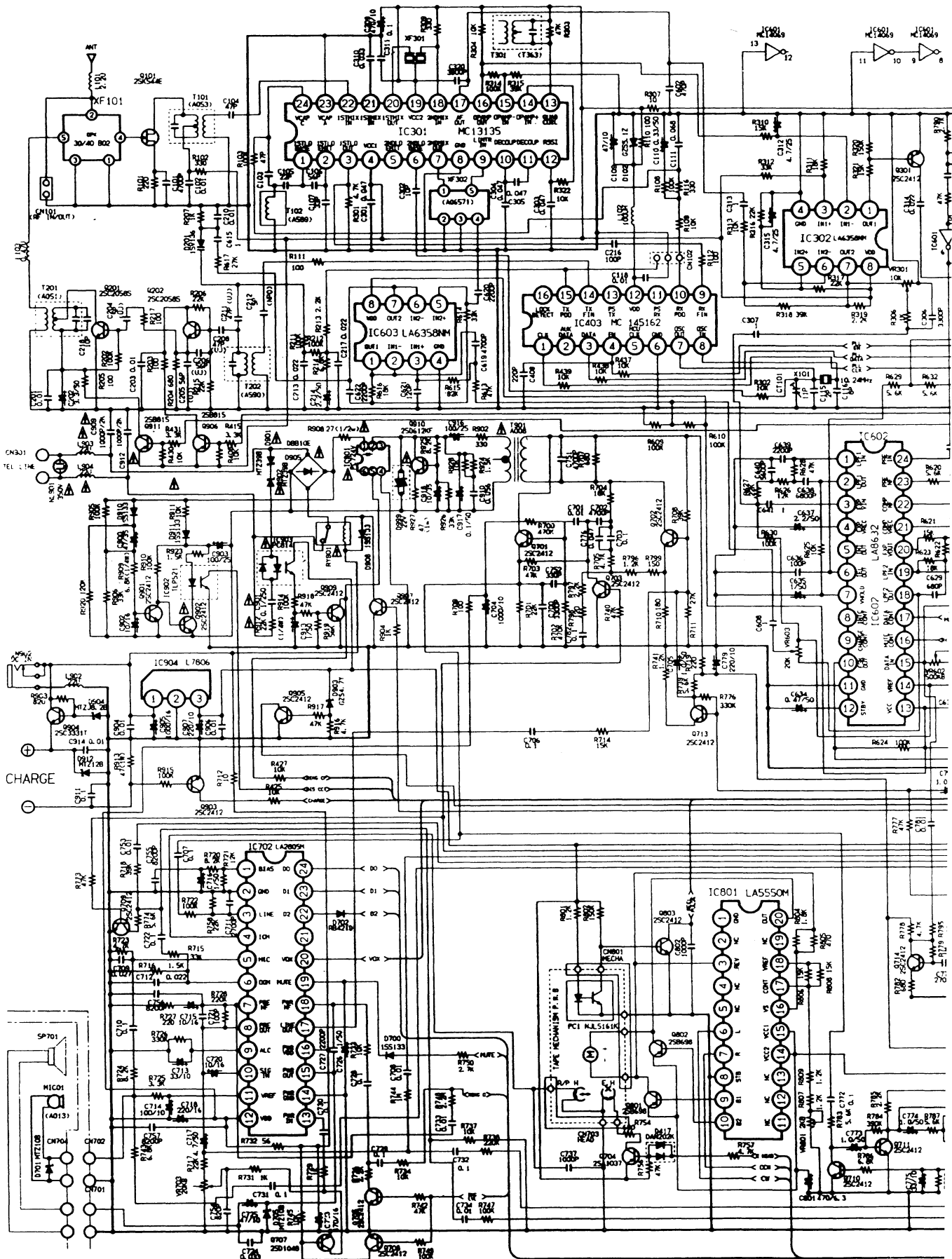


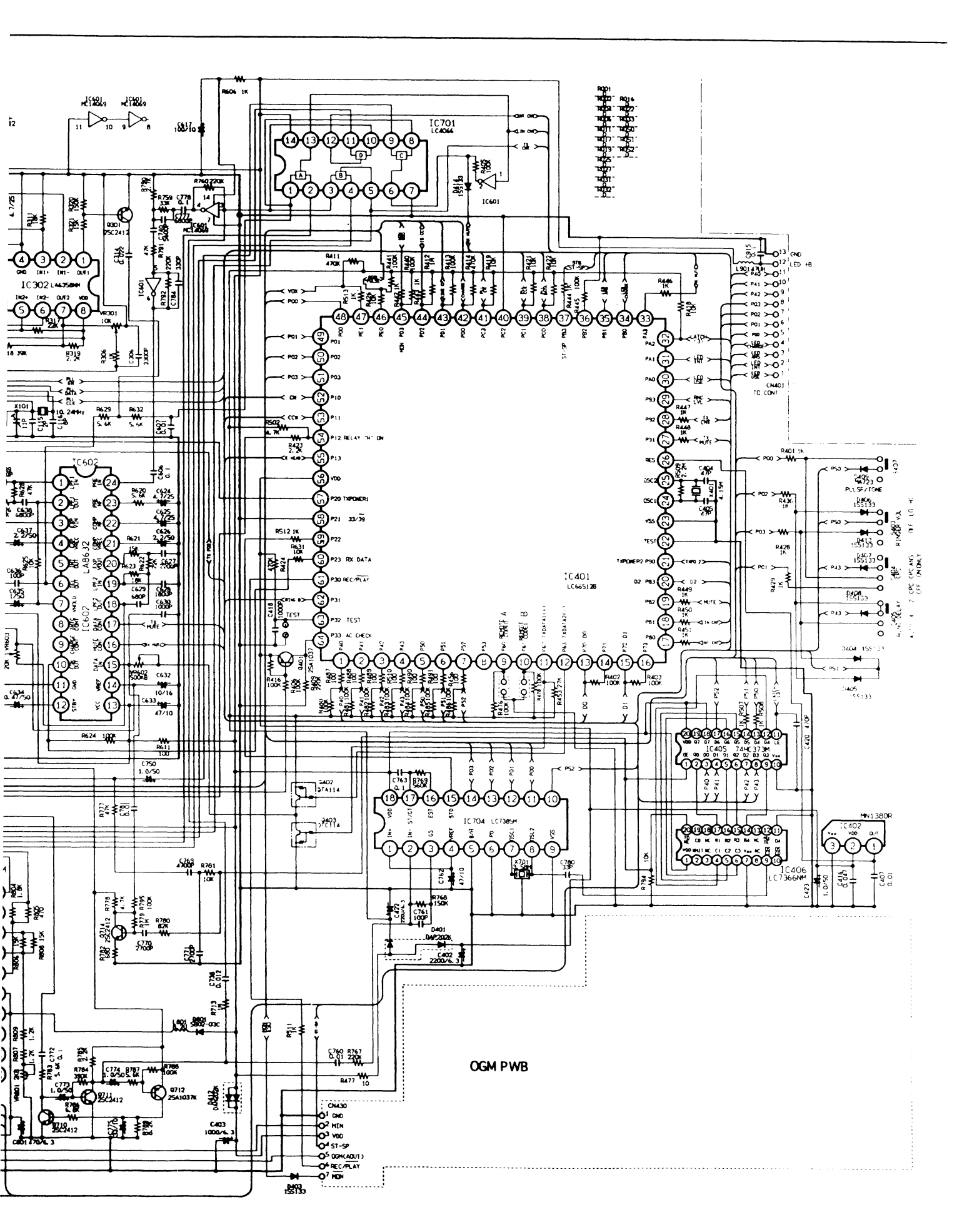
BLOCK DIAGRAM (BASE STATION)





SCHEMATIC DIAGRAM (BASE STATION)





12V
10 9 8
11 10 9 8
100k
R400 1K
IC601
IC701 LC886
IC302 LA555

OGM PWB

12V
10 9 8
11 10 9 8
100k
R400 1K
IC601
IC701 LC886
IC302 LA555

12V
10 9 8
11 10 9 8
100k
R400 1K
IC601
IC701 LC886
IC302 LA555

12V
10 9 8
11 10 9 8
100k
R400 1K
IC601
IC701 LC886
IC302 LA555

12V
10 9 8
11 10 9 8
100k
R400 1K
IC601
IC701 LC886
IC302 LA555

12V
10 9 8
11 10 9 8
100k
R400 1K
IC601
IC701 LC886
IC302 LA555