

Service Manual

and Technical Guide

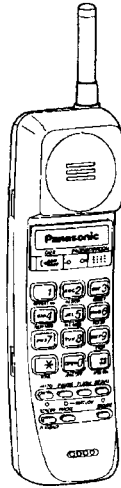


Cordless Phone with Answering System

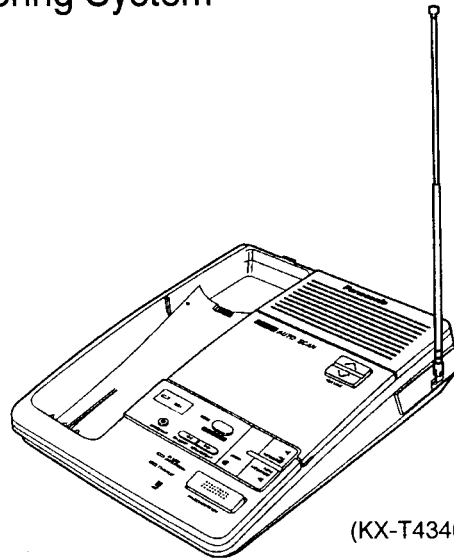
Telephone Equipment

KX-T4340

(for U.S.A.)



(KX-T4340R)



(KX-T4340H)

■ SPECIFICATIONS

General

Modulation: FM, 5 kHz Deviation
 Frequency Stability: ± 2.5 kHz
 Dial Type: Tone (DTMF)/Pulse
 Redial: Last dialed number each time the Redial button is pressed
 Pause: 3.5 seconds per pause
 Memory Capacity: 10 telephone numbers, up to 16 digits per station

Tape Deck Section:

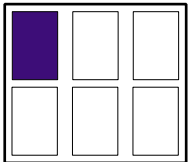
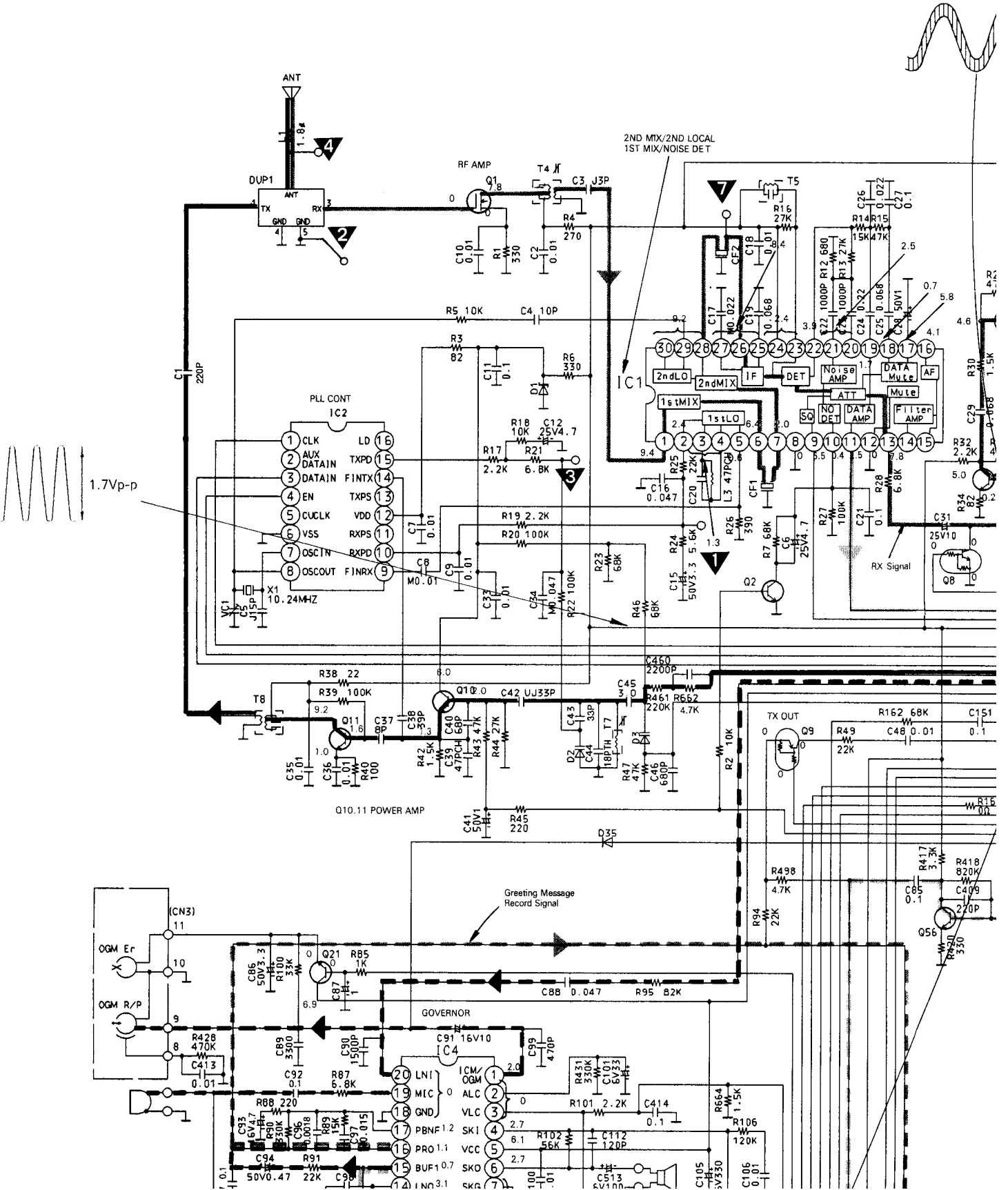
Greeting Message: Recorded a microchip.
 Recording Time is 16 seconds.
 Incoming Message (ICM): Single Micro Cassette (MC-30)
 Tape Speed: 2.4 cm/s
 Wow and Flutter: 0.58 % (WRMS)
 Motor: Electrical governor motor

	Base Unit (KX-T4340H)	Portable Handset (KX-T4340R)
Power Source: (Receiver Section)	AC adaptor KX-A11-5 (DC 12 V)	Built-in rechargeable Ni-Cd battery (KX-A36A)
Receiving Frequency:	10 channels within 49.6 to 49.9 MHz	10 channels within 46.6 to 46.9 MHz
Adjacent Channel Rejection:	40 dB	40 dB
Sensitivity: (Transmitter Section)	1dB μ V for 20 dB S/N	2 dB μ V for 20 dB S/N
Transmitting Frequency:	10 channels within 46.6 to 46.9 MHz	10 channels within 49.6 to 49.9 MHz
Jacks:	DC IN, Telephone line	
Antenna:	Telescopic	Rubber Flexible
Speaker:	2" (5 cm) PM dynamic	1.2" (3 cm) dynamic
Microphone:	Condenser microphone	Condenser microphone
Dimensions (H \times W \times D):	2 ¹⁷ / ₃₂ " \times 7 ³ / ₃₂ " \times 9" (64 \times 180 \times 229 mm)	11 ¹³ / ₃₂ " \times 2 ¹¹ / ₃₂ " \times 2 ¹ / ₁₆ " (290 \times 60 \times 52 mm)
Weight:	1.76 lbs. (800 g)	0.57 lbs. (257 g) with battery

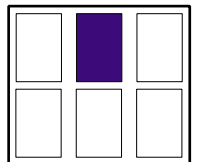
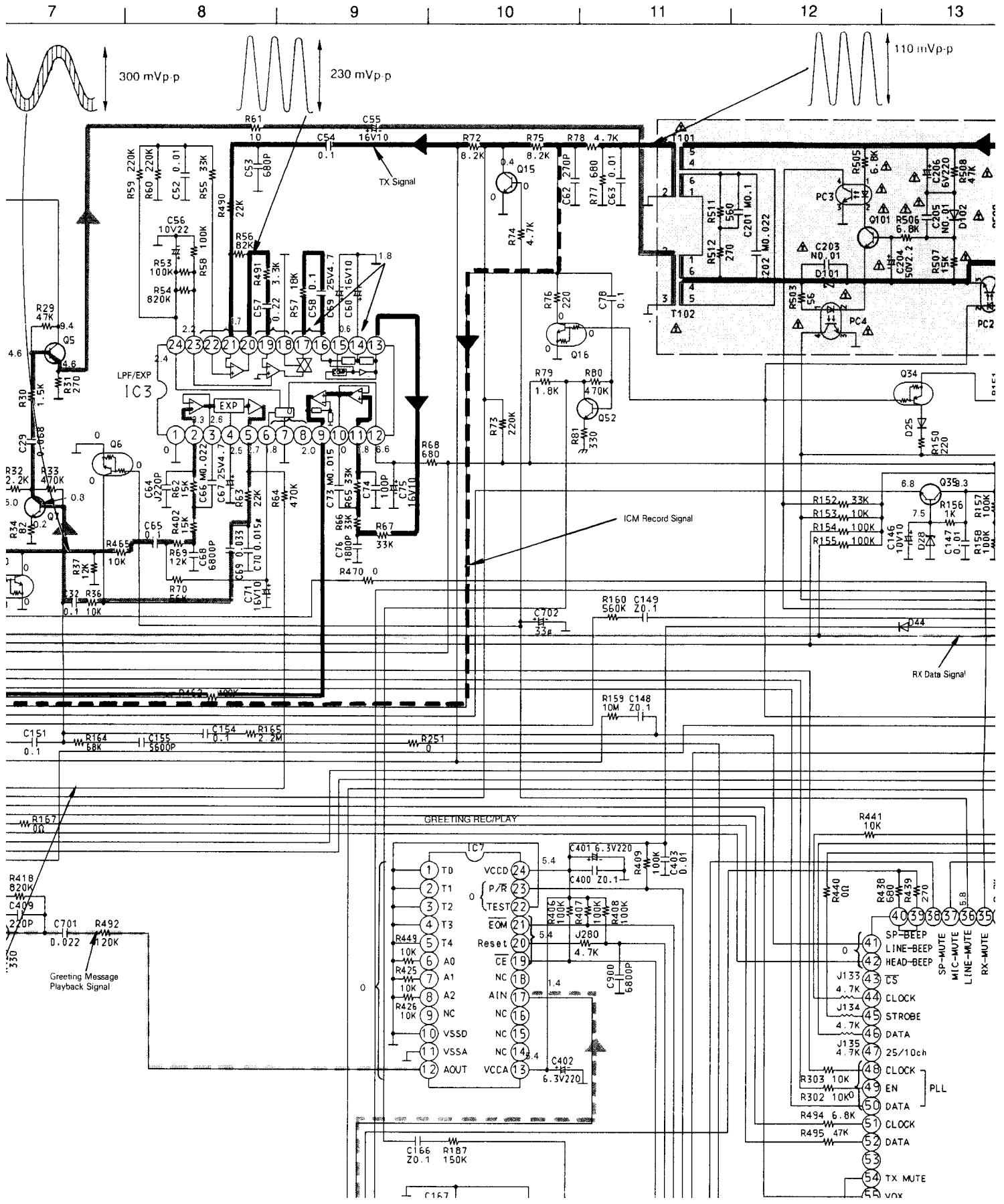
Design and specifications are subject to change without notice.

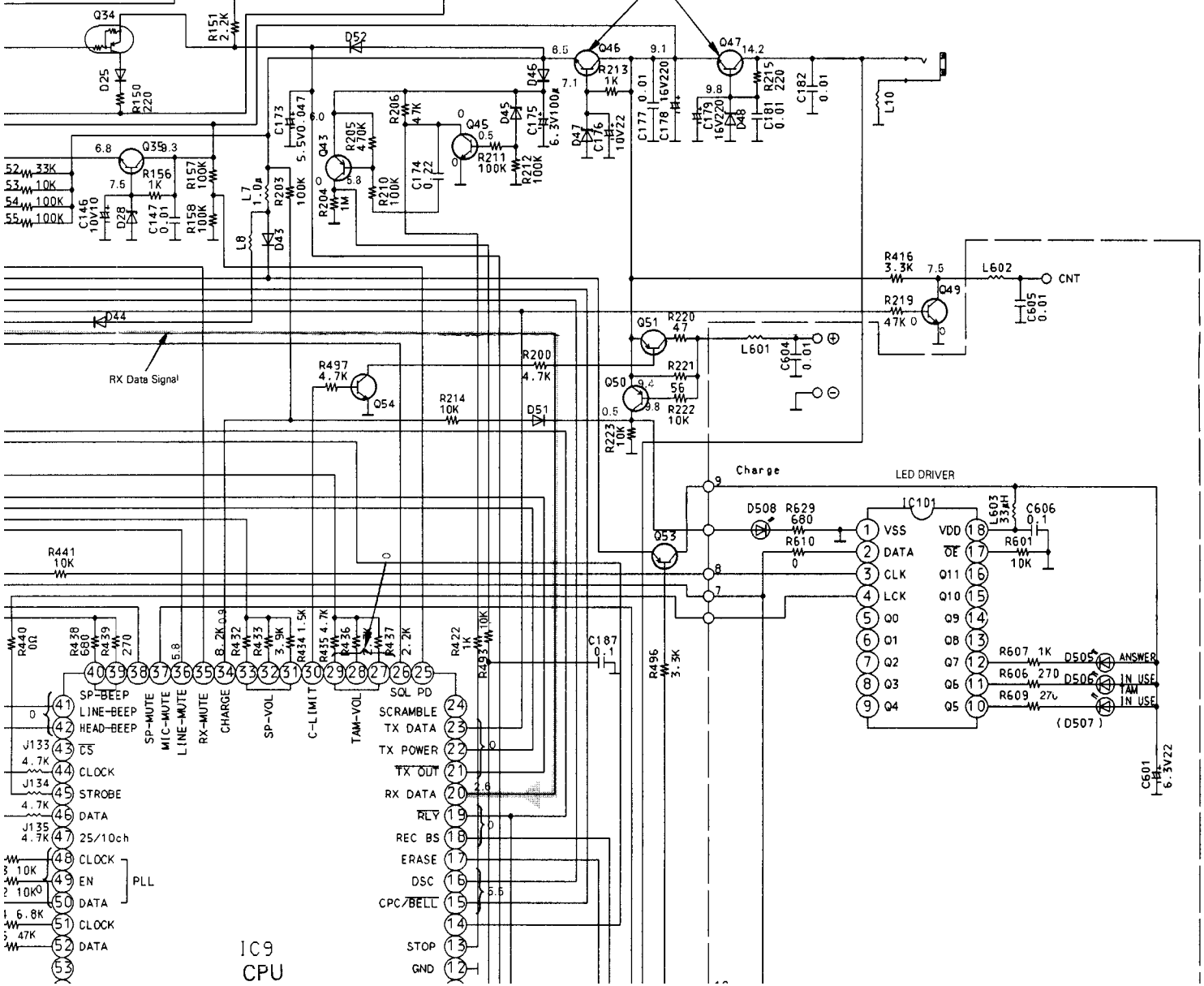
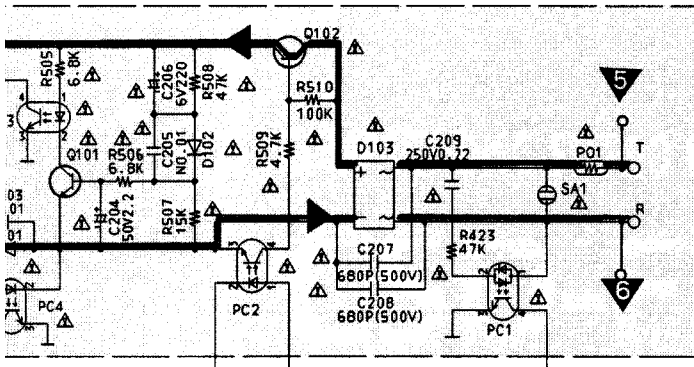
Panasonic

©1994 Kyushu Matsushita Electric Co., Ltd.
 All rights reserved. Unauthorized copying and distribution is a violation of law.

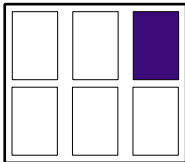


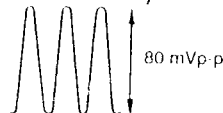
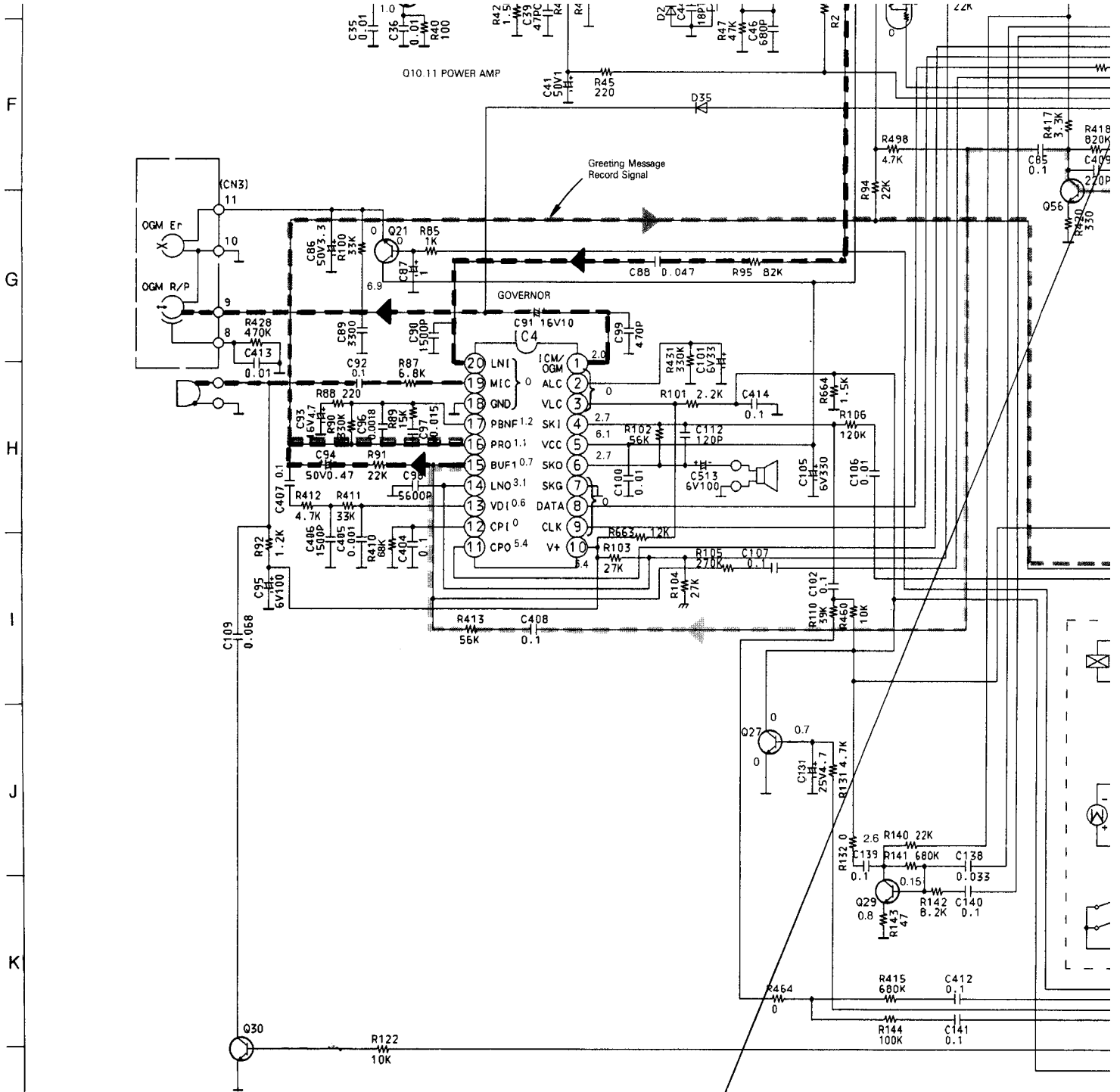
SCHEMATIC DIAGRAM (KX-T4340H)





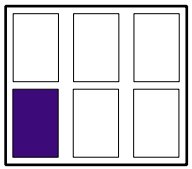
IC9
CPU

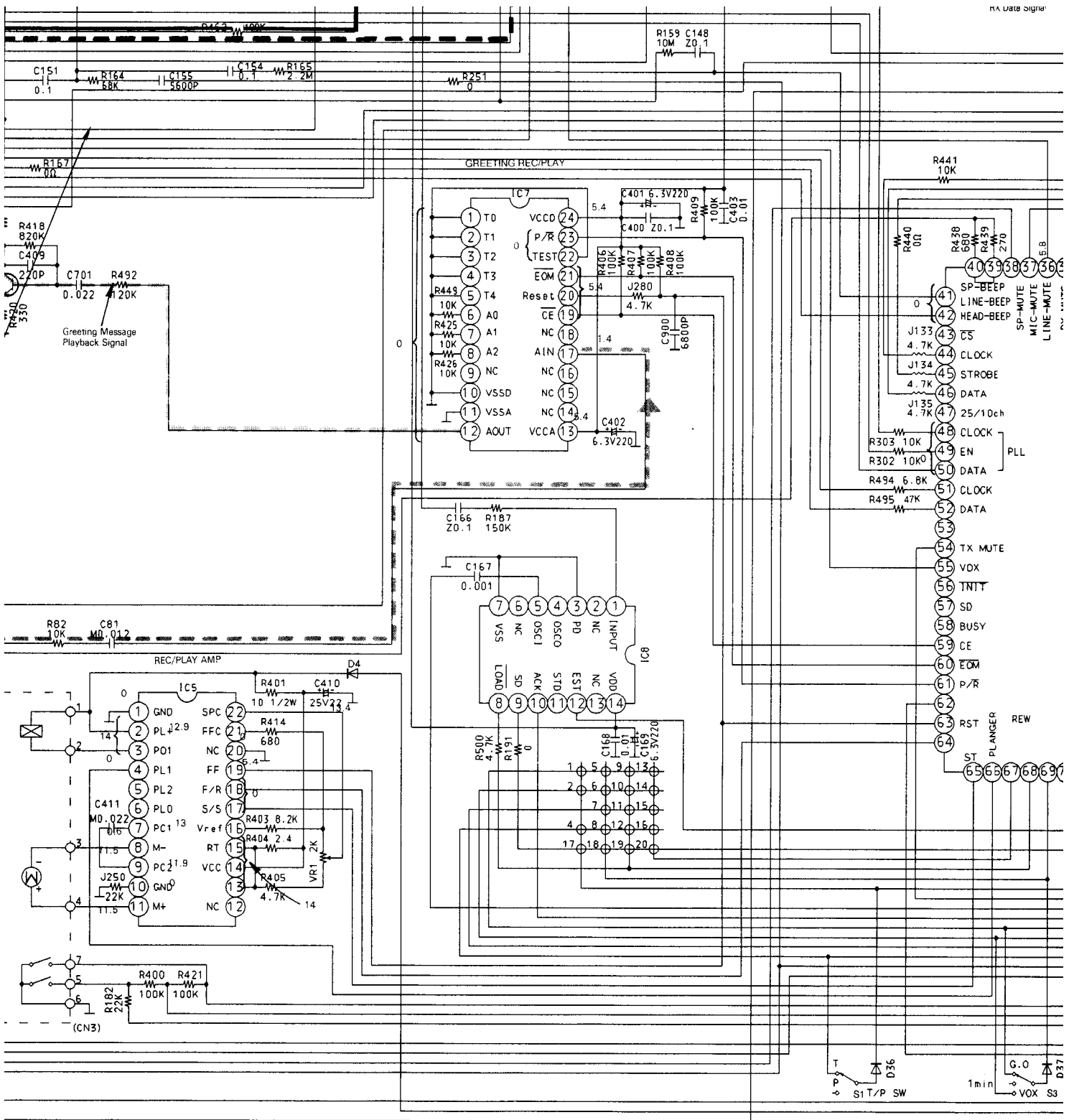




Notes:

- | | | | |
|---------------------------------------|--|------------------------------|-------|
| 1. S1: Dialing Mode Selector Switch | 6. S602: Volume (Down) Selector Switch | 11. S610: All Message Switch | 16. : |
| 2. S3: Recording Time Selector Switch | 7. S605: Greeting Record switch | 12. S611: Stop Switch | 17. : |
| 3. S101: Reed Switch | 8. S606: Greeting Check Switch | 13. S613: Memo/2Way Switch | 18. I |
| 4. S102: Position Switch | 9. S607: ICM Erase Switch | 14. S614: FF/Skip Switch | |
| 5. S601: Volume (Up) Selector Switch | 10. S609: Answer On Switch | 15. S615: Rew/Repeat Switch | |

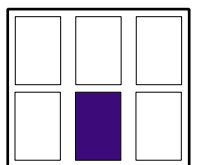


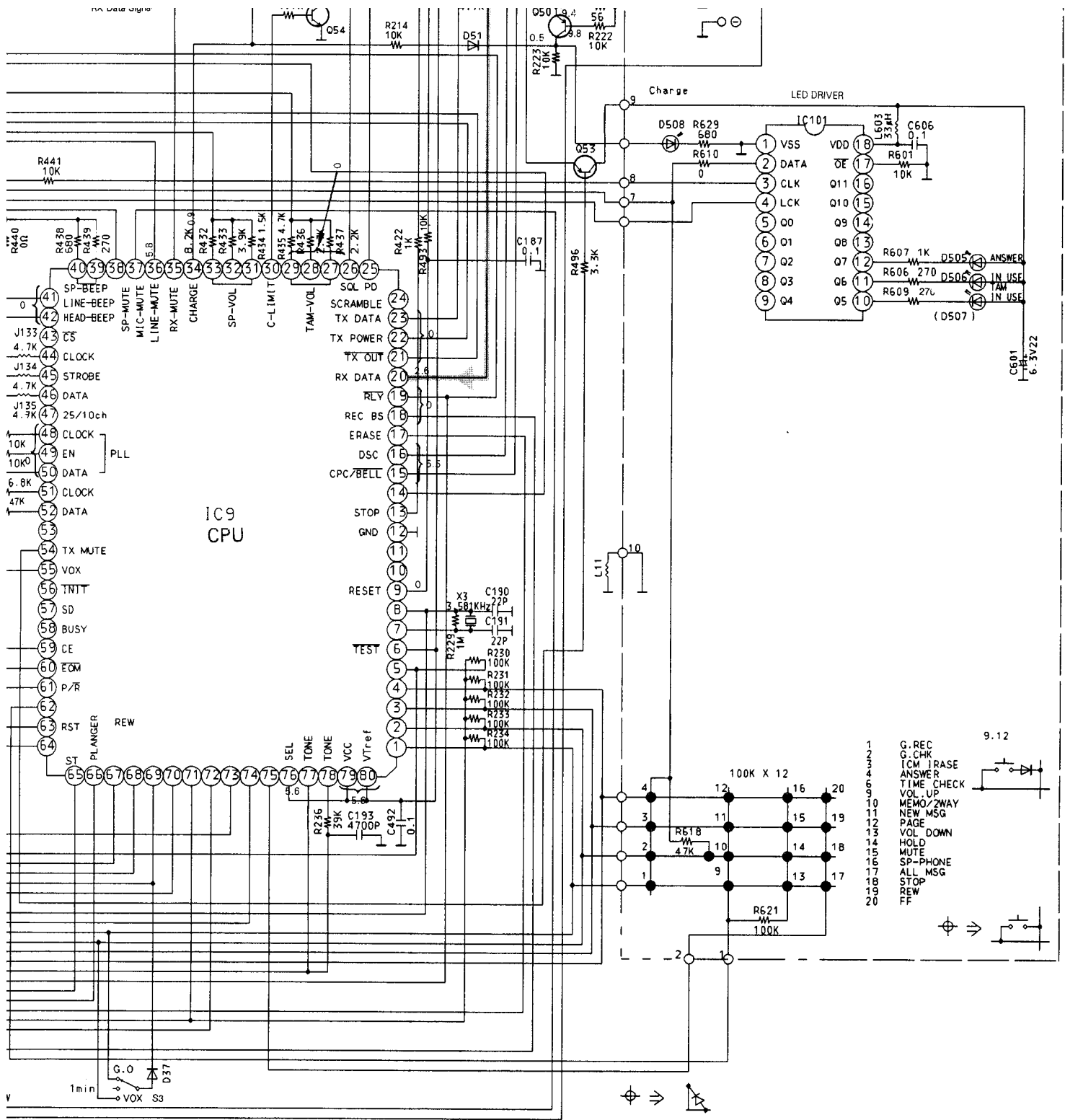


- 16. S616: New Message Switch
- 17. S617: Pae/Intercom Switch
- 18. DC voltage measurements are taken with voltmeter from the negative voltage line.

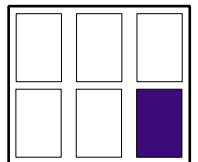
Important Safety Notice
 The shaded area on this schematic diagram incorporates special features important for protection from fire and electrical shock hazards. When servicing, it is essential that only manufacturer's specified parts be used for the critical components in the shaded areas of the schematic.

This schematic diagram may at any time with development technology.





schematic diagram may be modified
time with development of new
ogy.



CABINET AND ELECTRICAL PARTS LOCATION (KX-T4340H)

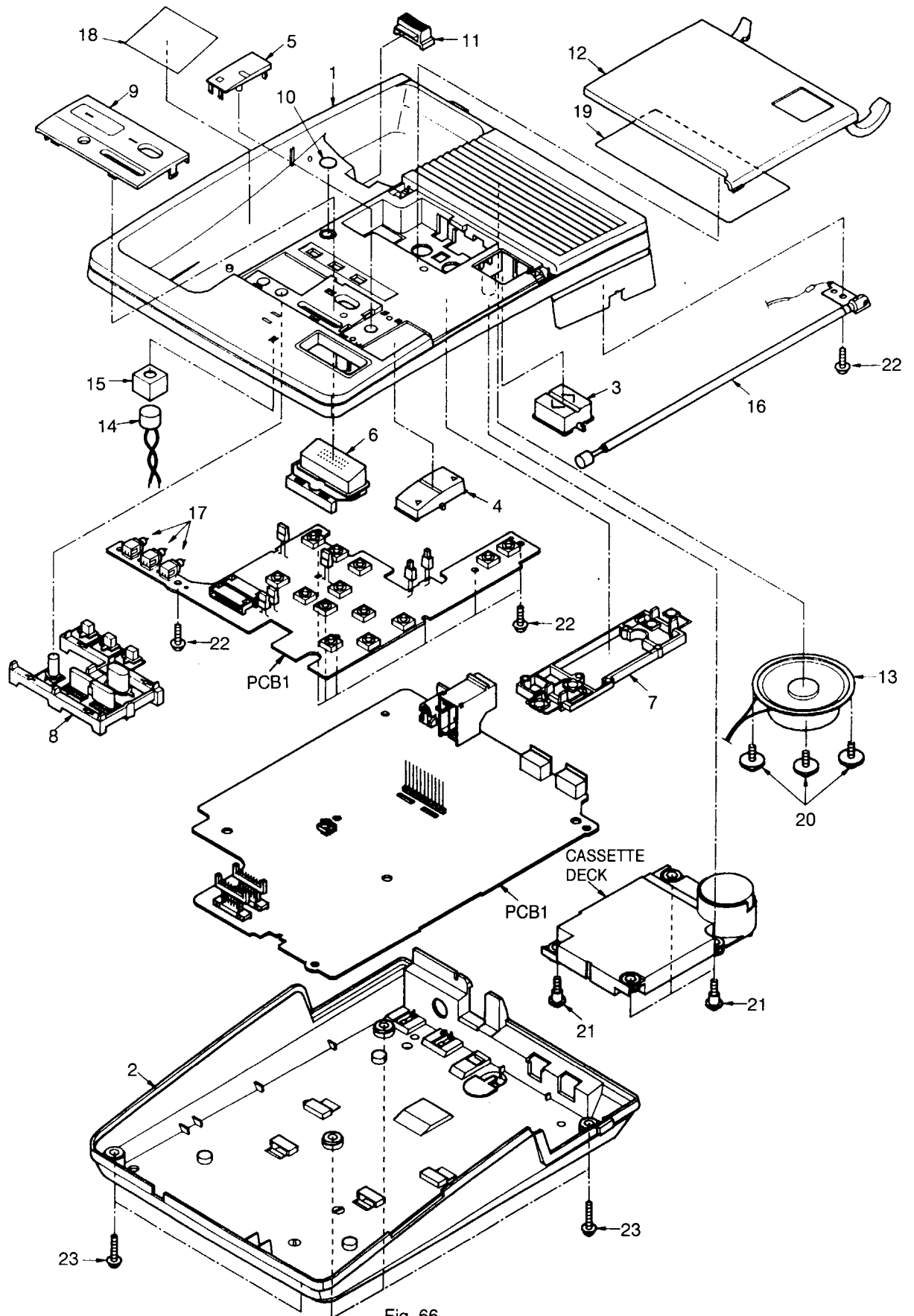


Fig. 66