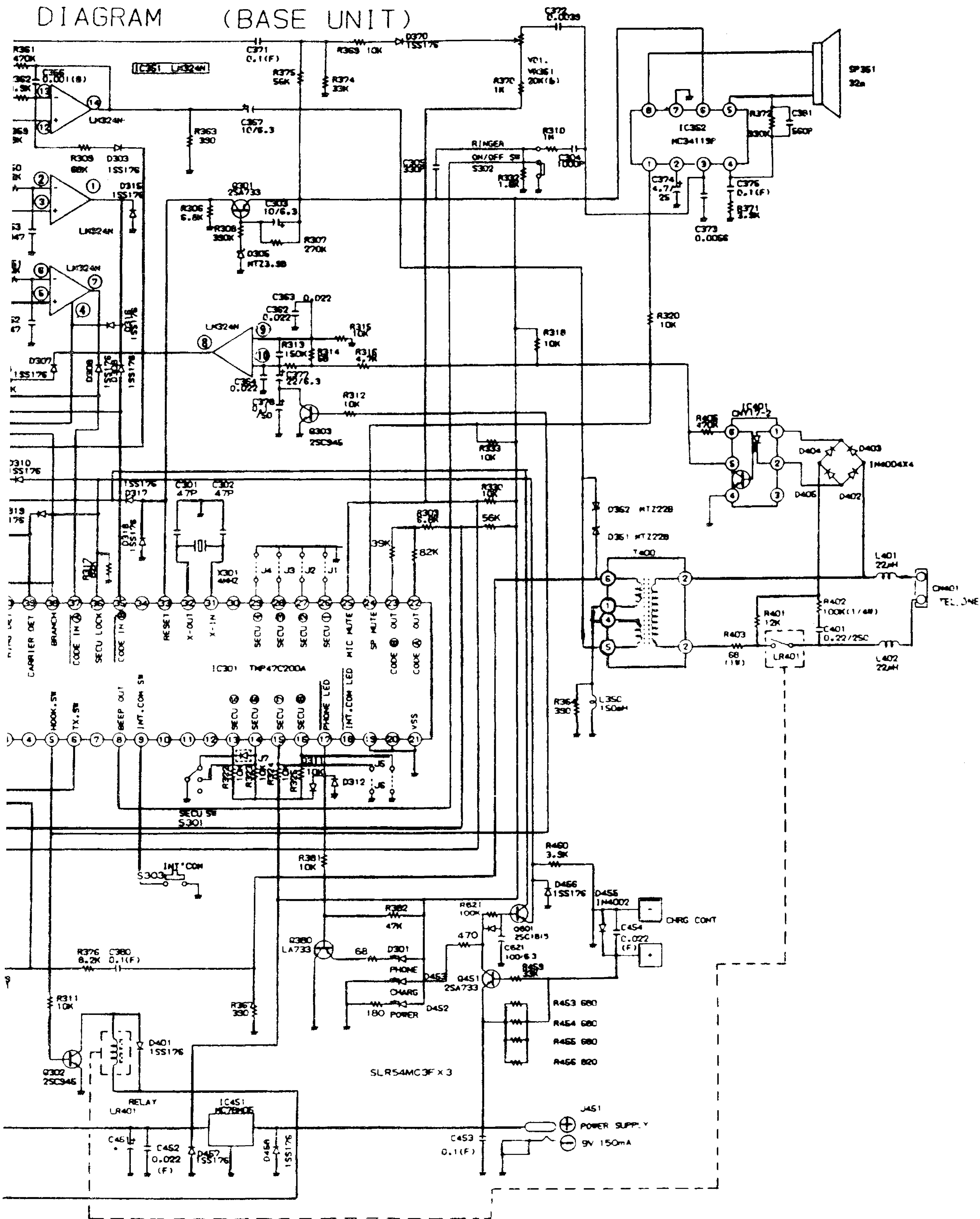
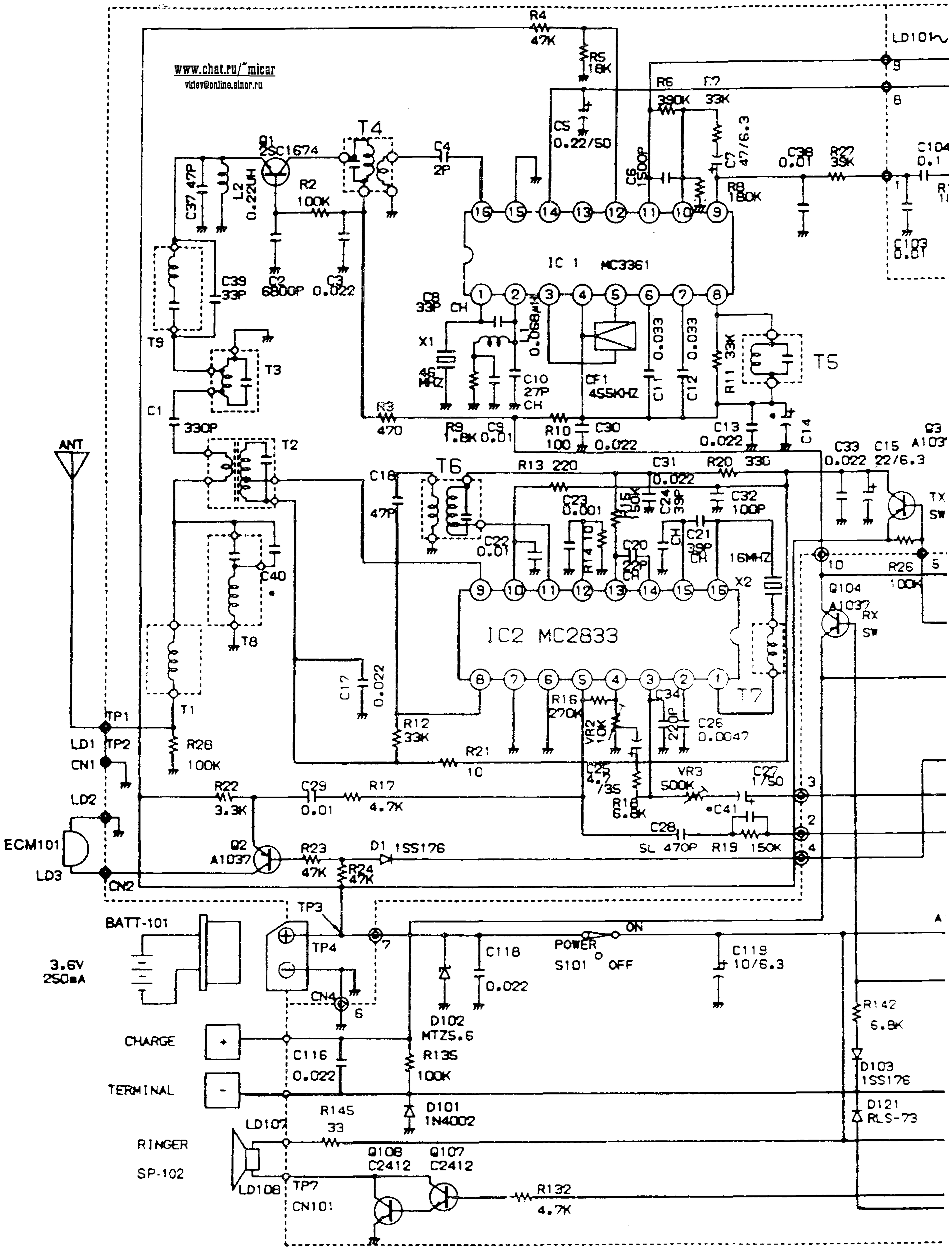


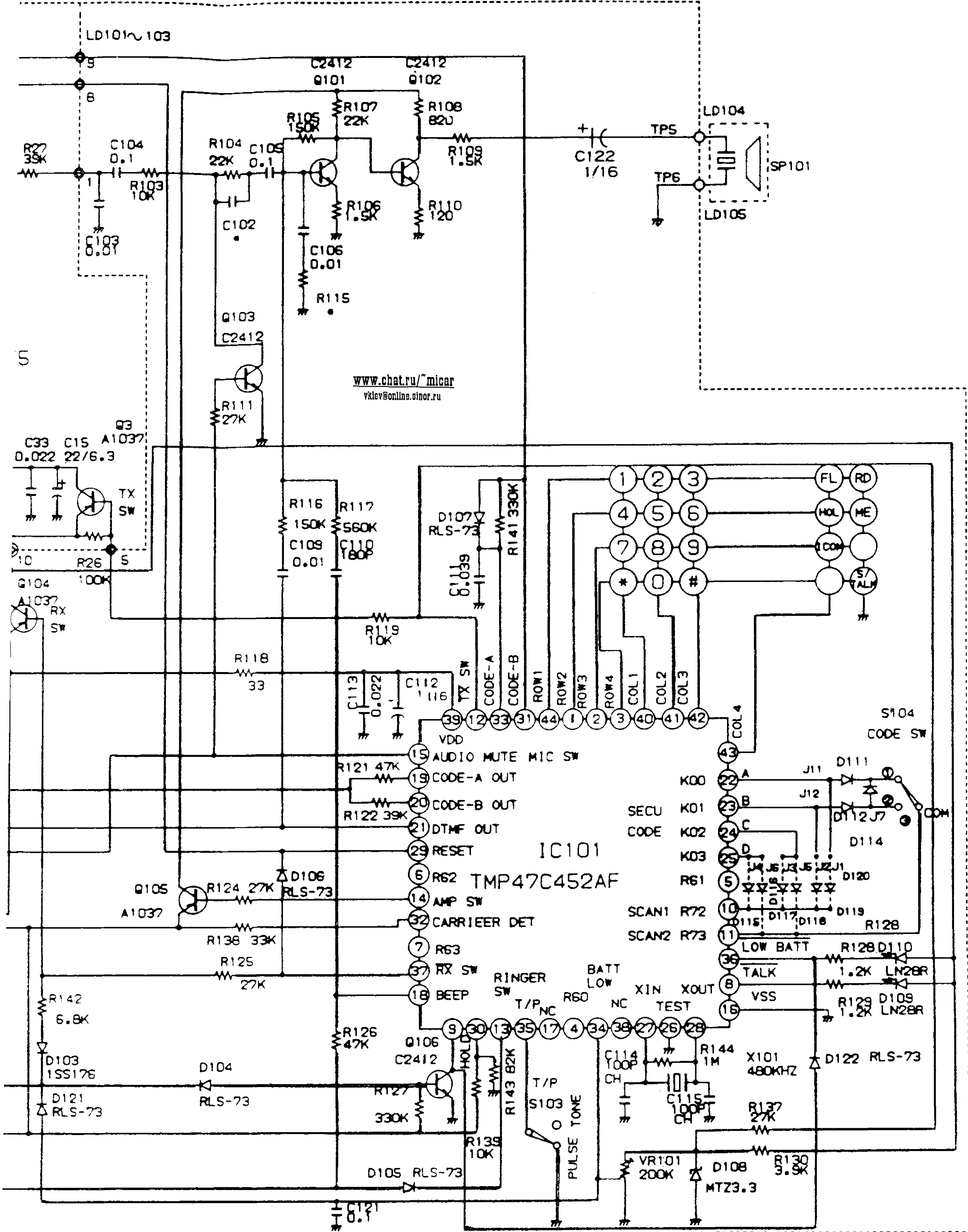
DIAGRAM (BASE UNIT)



SCHEMATIC DIAGRAM

REMOTE





G5368P5

DRAWING NO.CS20082