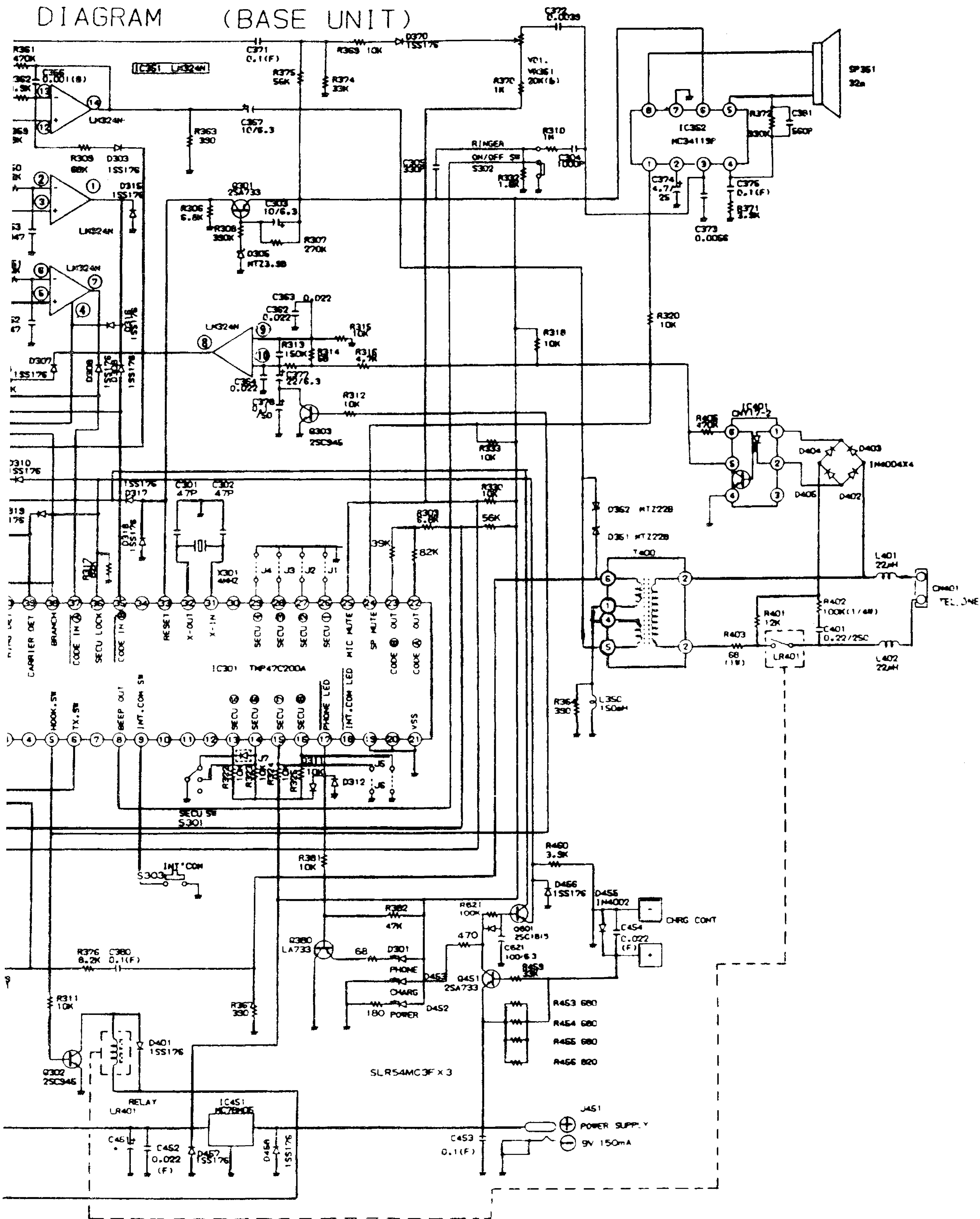
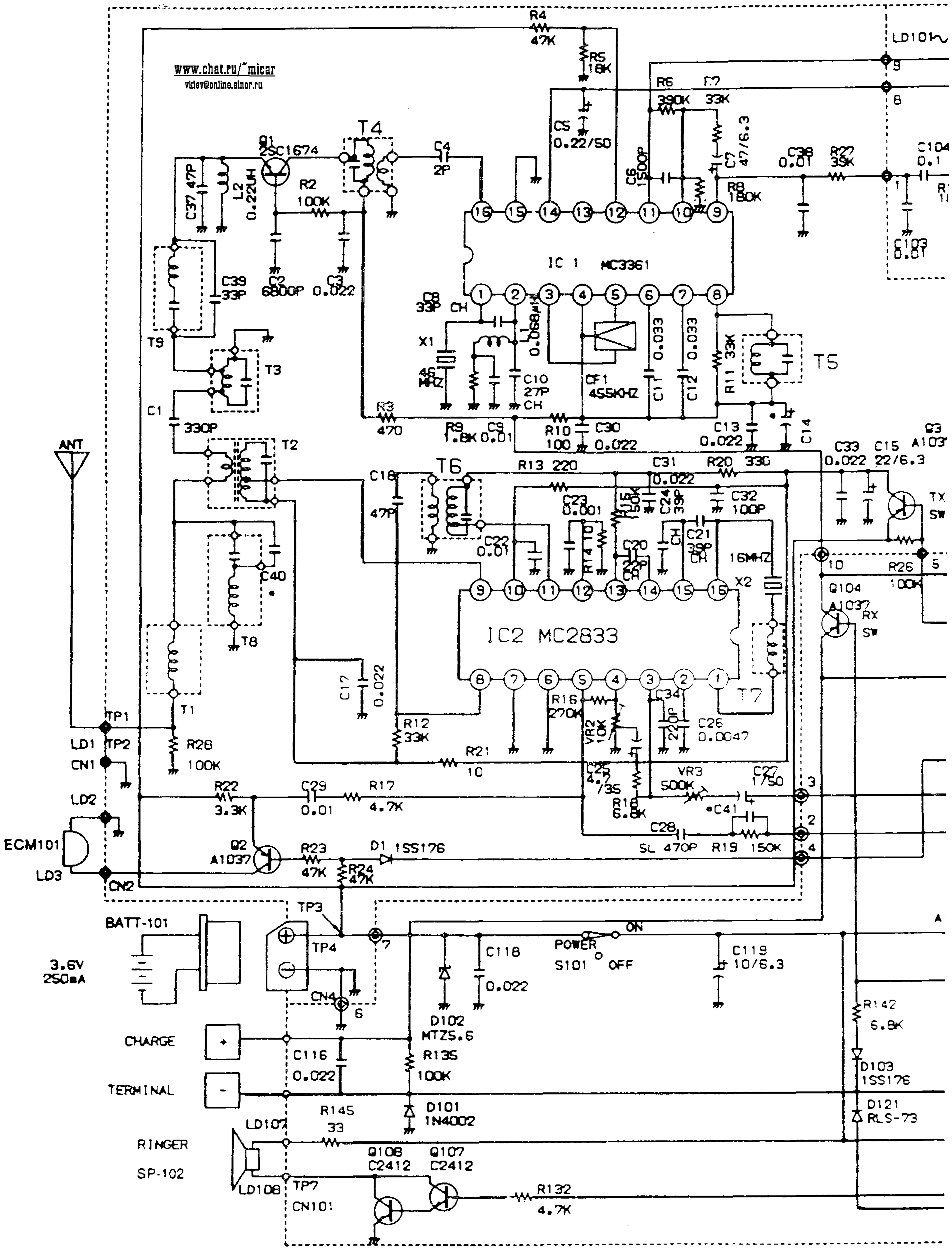


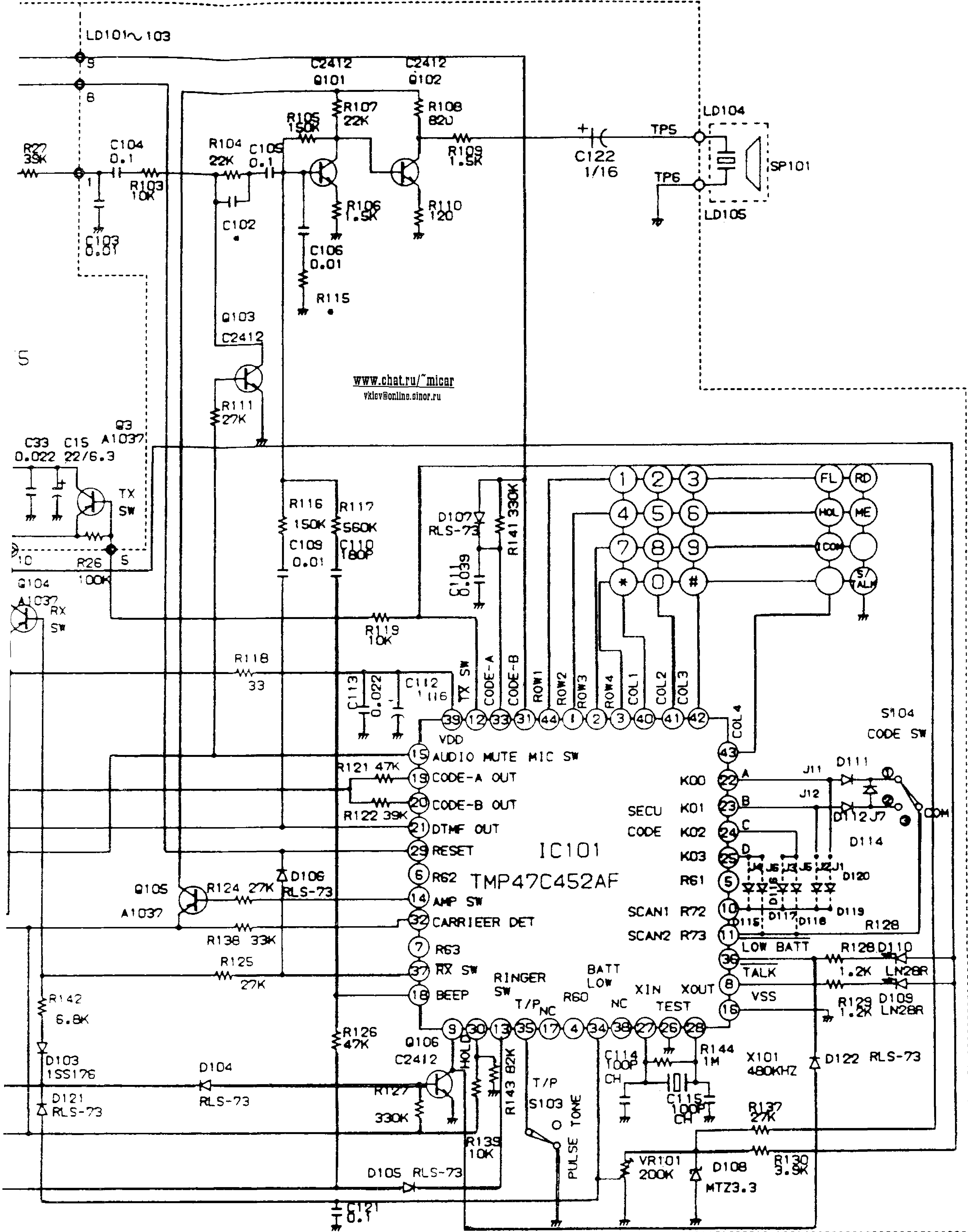
# DIAGRAM (BASE UNIT)



# SCHEMATIC DIAGRAM

## REMOTE





G5368P5

DRAWING NO.CS20082