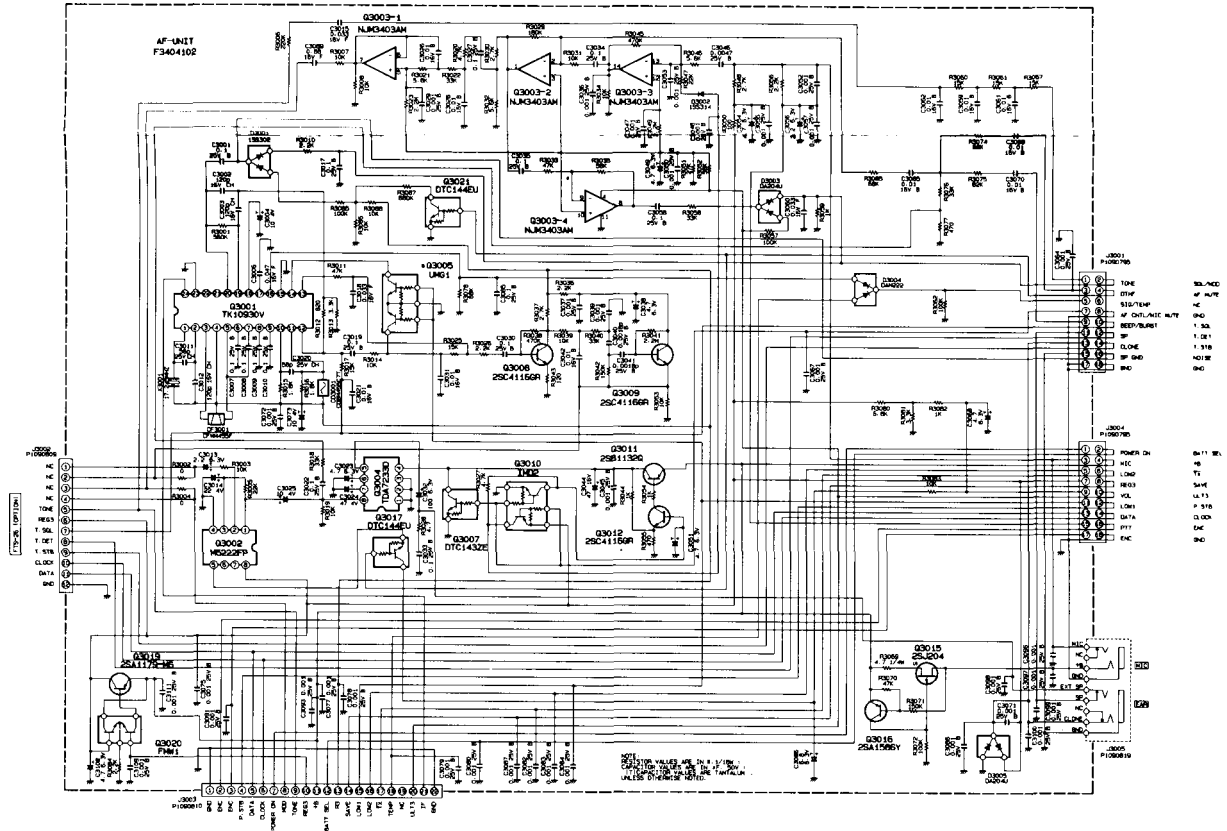
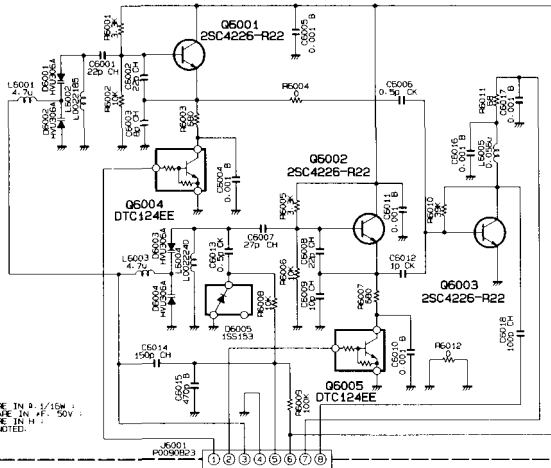


AF-UNIT
F3404102



FT-11R

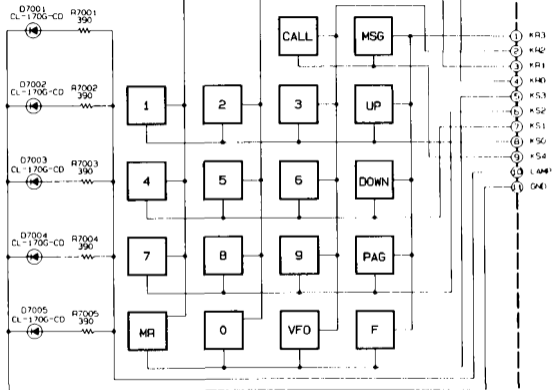
VCO-UNIT
F3400101
U1001



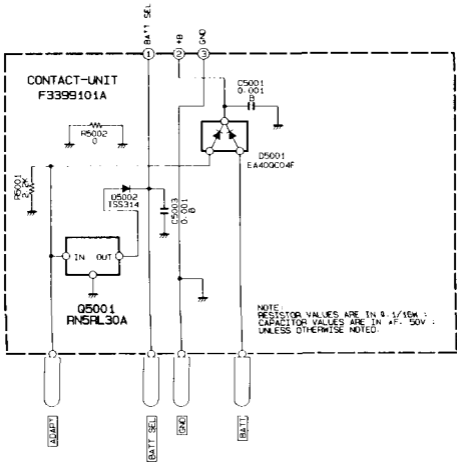
NOTE:
RESISTOR VALUES ARE IN Ω, 1/16W ;
CAPACITOR VALUES ARE IN pF, 50V ;
INDUCTOR VALUES ARE IN H ;
UNLESS OTHERWISE NOTED.

VCC
VC
VC
GND
MOD
VCO3
SV3
OUT

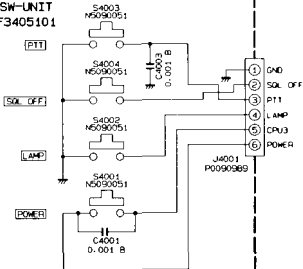
KEYBOARD-UNIT
Q7000185



NOTE:
RESISTOR VALUES ARE IN Ω. 1/10W.
UNLESS OTHERWISE NOTED.



SW-UNIT
F3405101



NOTE:
CAPACITOR VALUES ARE IN μ F. 50V :
UNLESS OTHERWISE NOTED.

