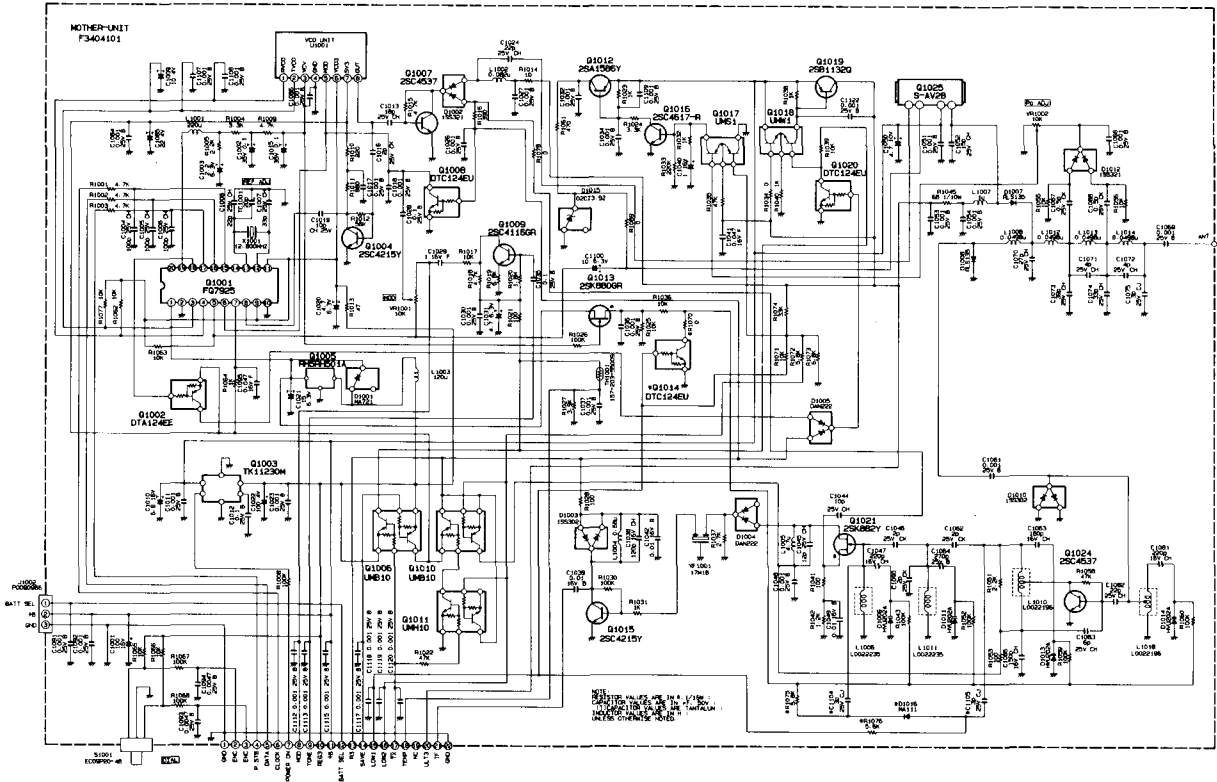
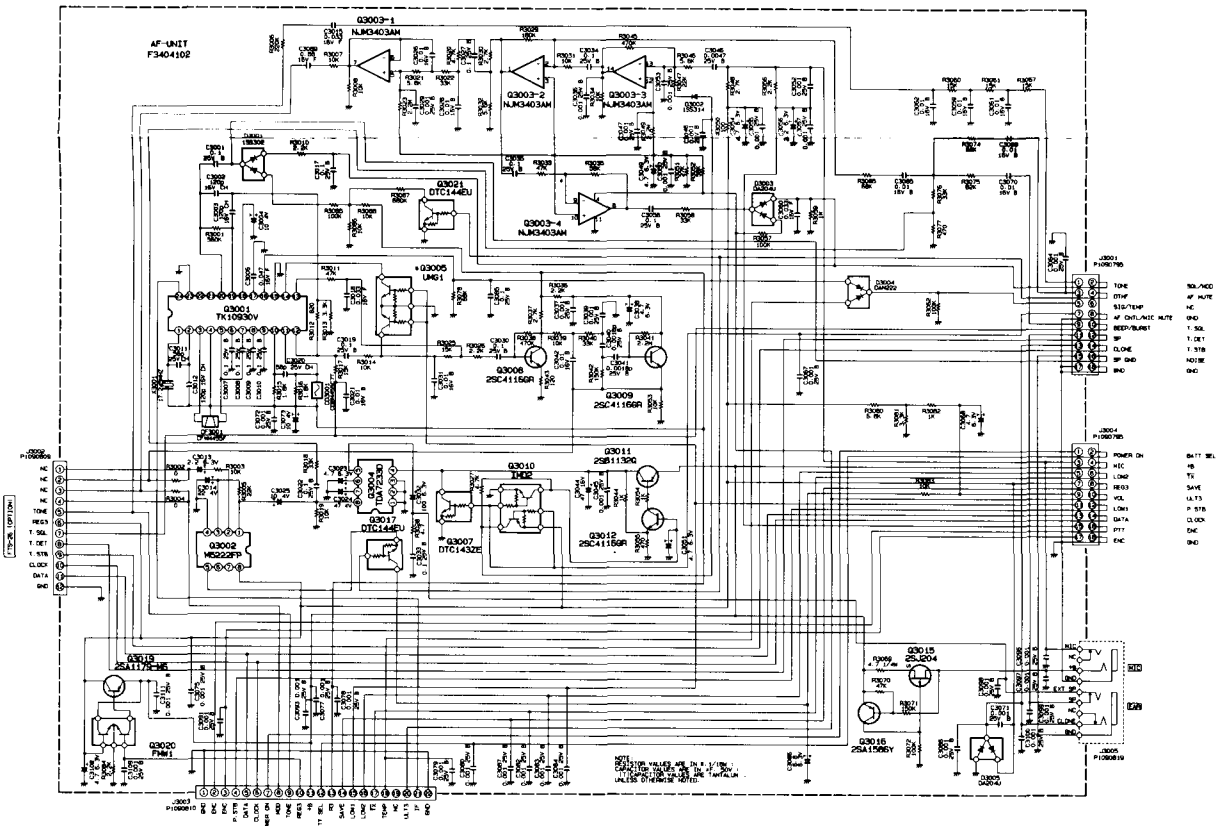


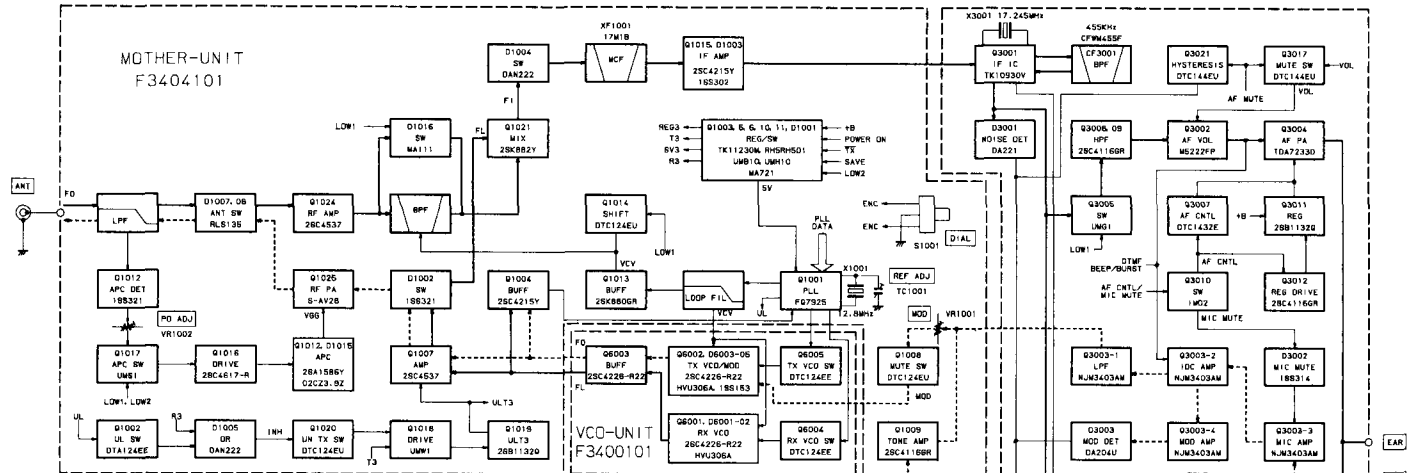
MOTHER-UNIT
F3404101



AF-UNIT
F3404102



MOTHER-UNIT F3404101



CNTL-UNIT F3403101A

KEYBOARD-UNIT

CONTACT-UNIT F3399101A

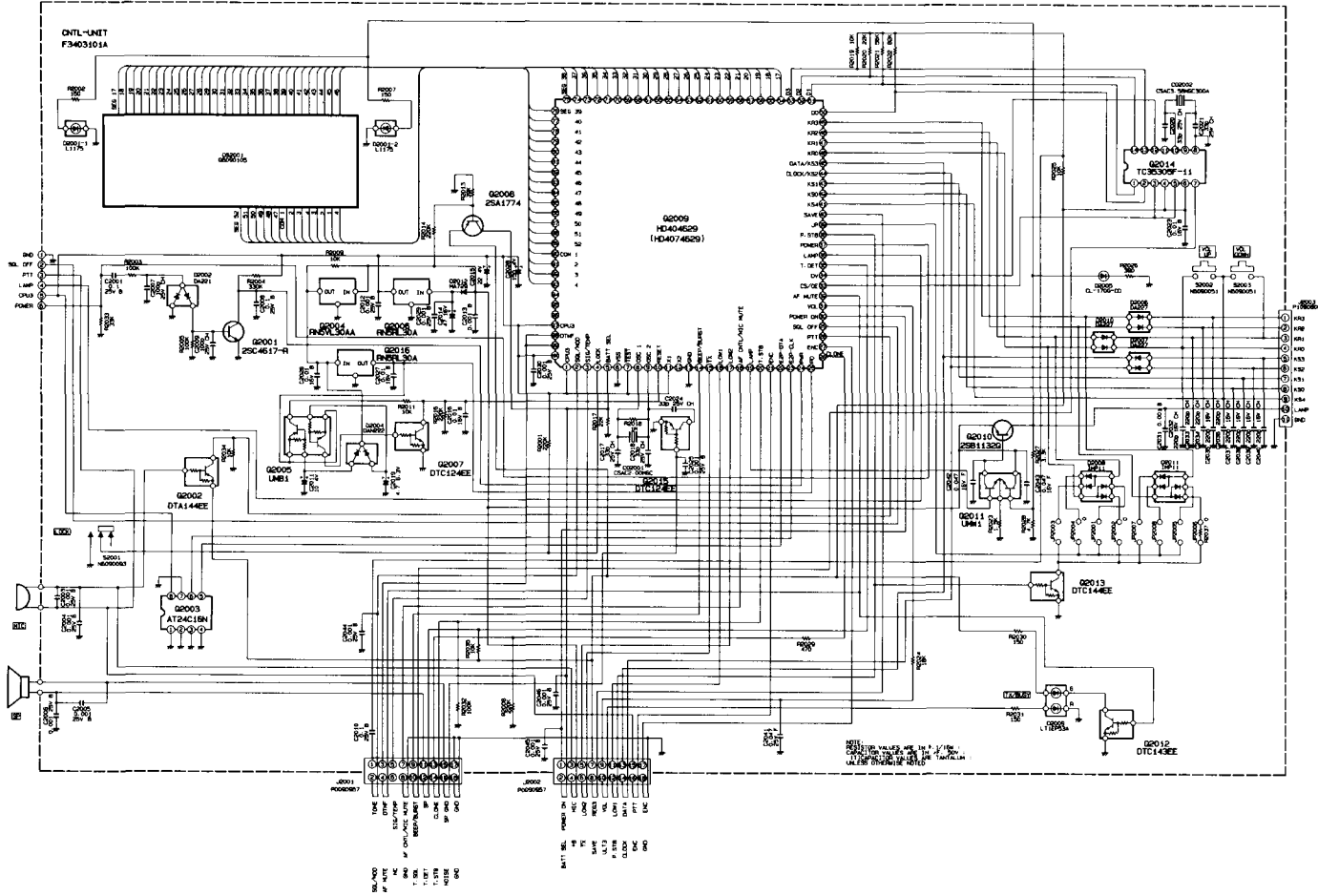
T-SQL-UNIT F3405101 (OPTION)

SW-UNIT F3405101

AF-UNIT F3404102

VCO-UNIT F3400101

MOTHER-UNIT F3404101



RESISTOR
 IN OHMS
 1.0K
 1.5K
 1.8K
 2.2K
 3.0K
 3.3K
 3.6K
 3.9K
 4.3K
 4.7K
 5.1K
 5.6K
 6.0K
 6.8K
 7.5K
 8.2K
 9.1K
 10K
 11K
 12K
 15K
 18K
 20K
 22K
 24K
 27K
 30K
 33K
 36K
 39K
 43K
 47K
 51K
 56K
 60K
 68K
 75K
 82K
 91K
 100K
 110K
 120K
 150K
 180K
 200K
 220K
 240K
 270K
 300K
 330K
 360K
 390K
 430K
 470K
 510K
 560K
 600K
 680K
 750K
 820K
 910K
 1.0M
 1.1M
 1.2M
 1.5M
 1.8M
 2.0M
 2.2M
 2.4M
 2.7M
 3.0M
 3.3M
 3.6M
 3.9M
 4.3M
 4.7M
 5.1M
 5.6M
 6.0M
 6.8M
 7.5M
 8.2M
 9.1M
 10M

W11 5.6K
 W2 10K
 W3 10K
 W4 10K
 W5 10K
 W6 10K
 W7 10K
 W8 10K
 W9 10K
 W10 10K
 W11 5.6K
 W12 10K
 W13 10K
 W14 10K
 W15 10K
 W16 10K
 W17 10K
 W18 10K
 W19 10K
 W20 10K
 W21 10K
 W22 10K
 W23 10K
 W24 10K
 W25 10K
 W26 10K
 W27 10K
 W28 10K
 W29 10K
 W30 10K
 W31 10K
 W32 10K
 W33 10K
 W34 10K
 W35 10K
 W36 10K
 W37 10K
 W38 10K
 W39 10K
 W40 10K
 W41 10K
 W42 10K
 W43 10K
 W44 10K
 W45 10K
 W46 10K
 W47 10K
 W48 10K
 W49 10K
 W50 10K
 W51 10K
 W52 10K
 W53 10K
 W54 10K
 W55 10K
 W56 10K
 W57 10K
 W58 10K
 W59 10K
 W60 10K
 W61 10K
 W62 10K
 W63 10K
 W64 10K
 W65 10K
 W66 10K
 W67 10K
 W68 10K
 W69 10K
 W70 10K
 W71 10K
 W72 10K
 W73 10K
 W74 10K
 W75 10K
 W76 10K
 W77 10K
 W78 10K
 W79 10K
 W80 10K
 W81 10K
 W82 10K
 W83 10K
 W84 10K
 W85 10K
 W86 10K
 W87 10K
 W88 10K
 W89 10K
 W90 10K
 W91 10K
 W92 10K
 W93 10K
 W94 10K
 W95 10K
 W96 10K
 W97 10K
 W98 10K
 W99 10K
 W100 10K

NOTE: ALL DIMENSIONS ARE IN MILLIMETERS (INCHES IN PARENTHESES).
 DIMENSIONS ARE TO CENTER UNLESS OTHERWISE SPECIFIED.
 DIMENSIONS OF HOLES ARE TO CENTER UNLESS OTHERWISE SPECIFIED.

