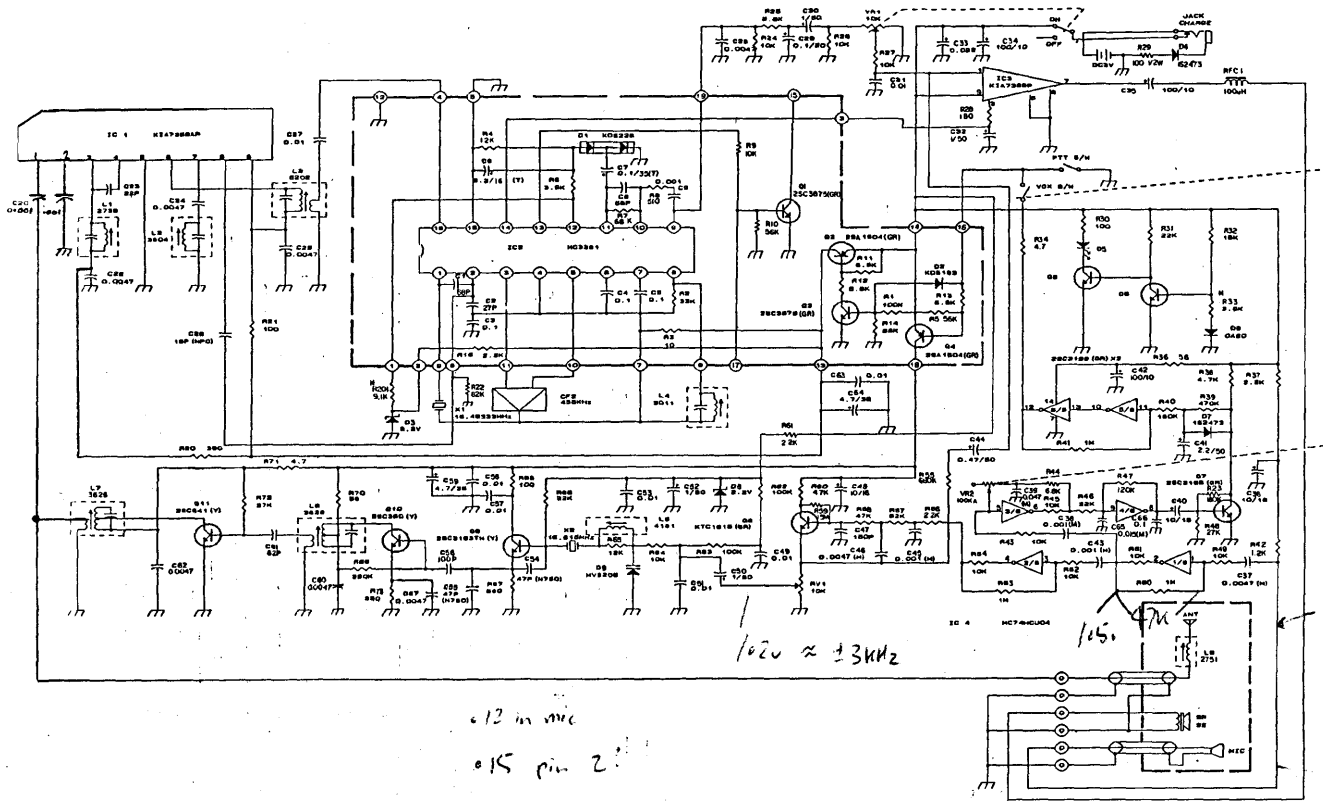


49-SX



Schematic Diagram

0.12 in wire

0.15 pin 2

1020 ≈ ±3KHZ

1050

1.5v pk-pk on w/brake

2.0v