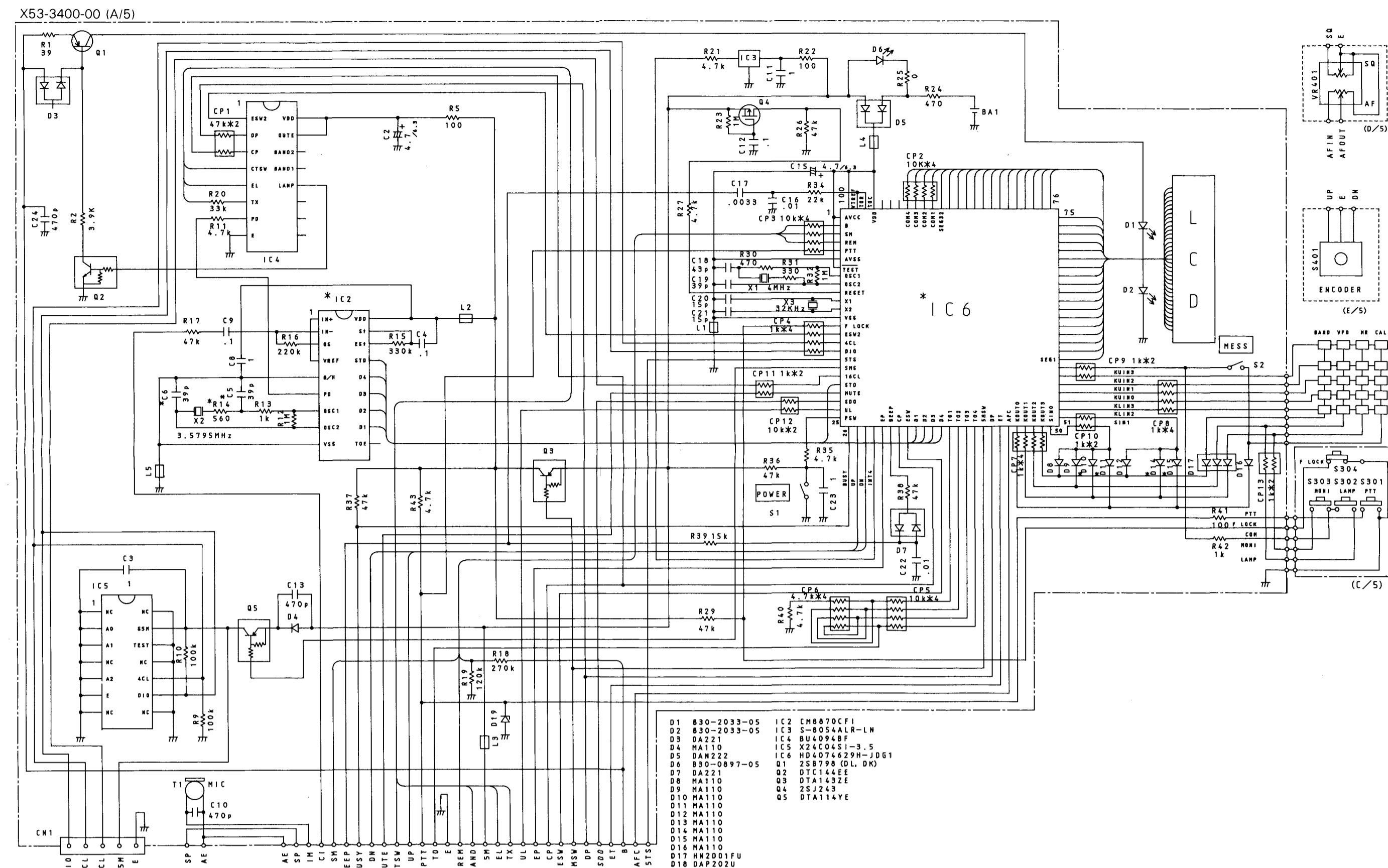
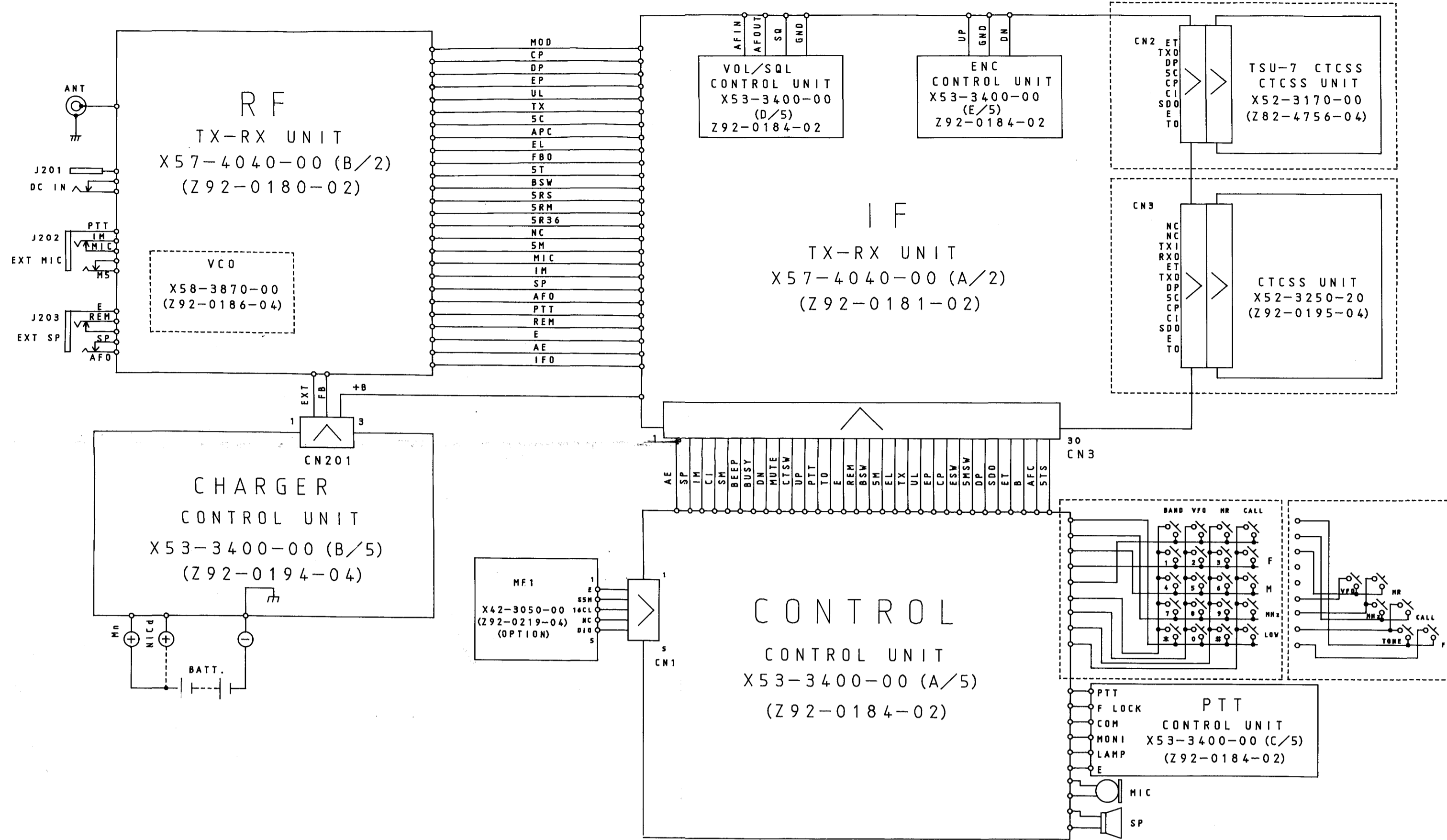
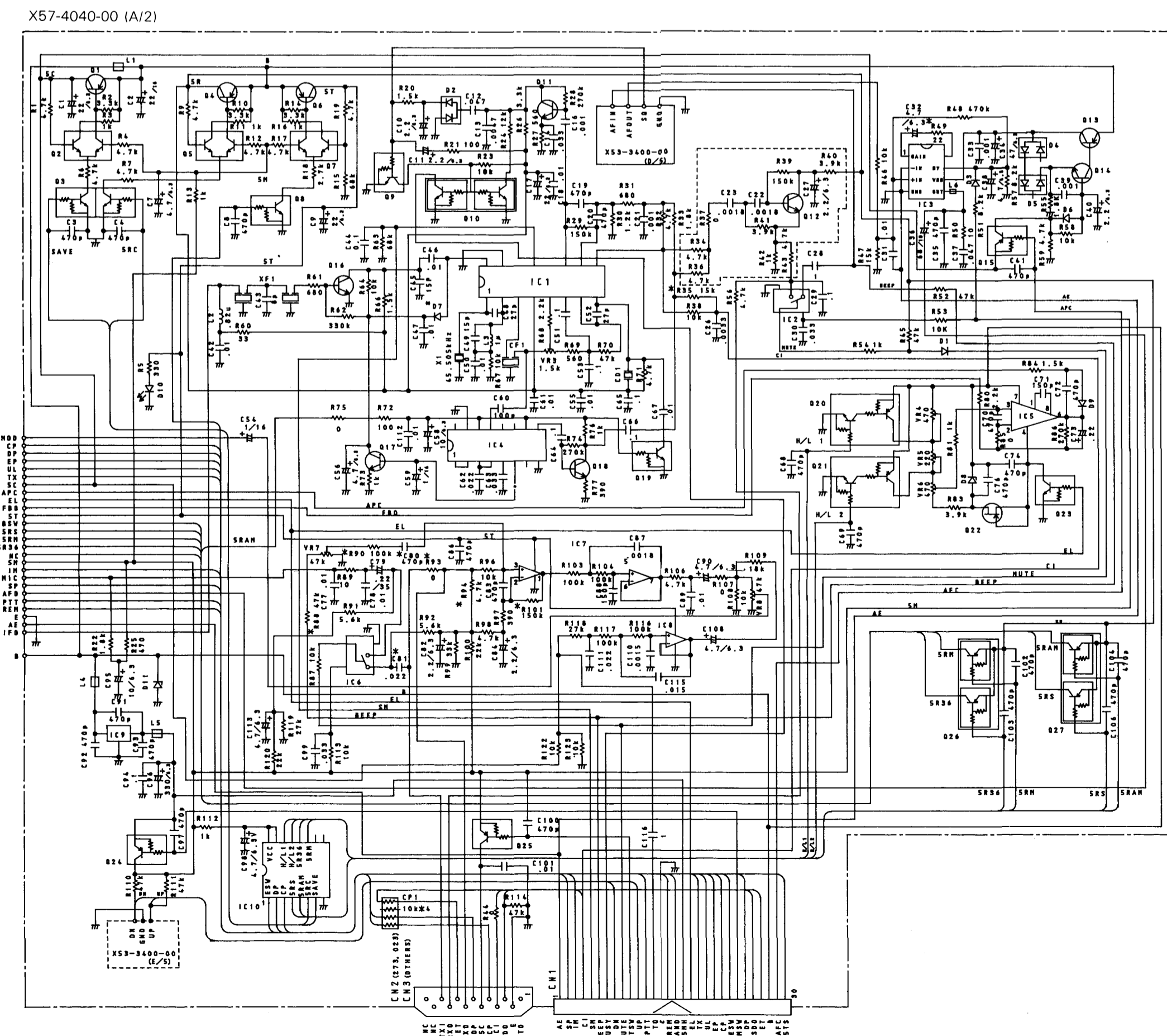


TH-28A/E SCHEMATIC DIAGRAM

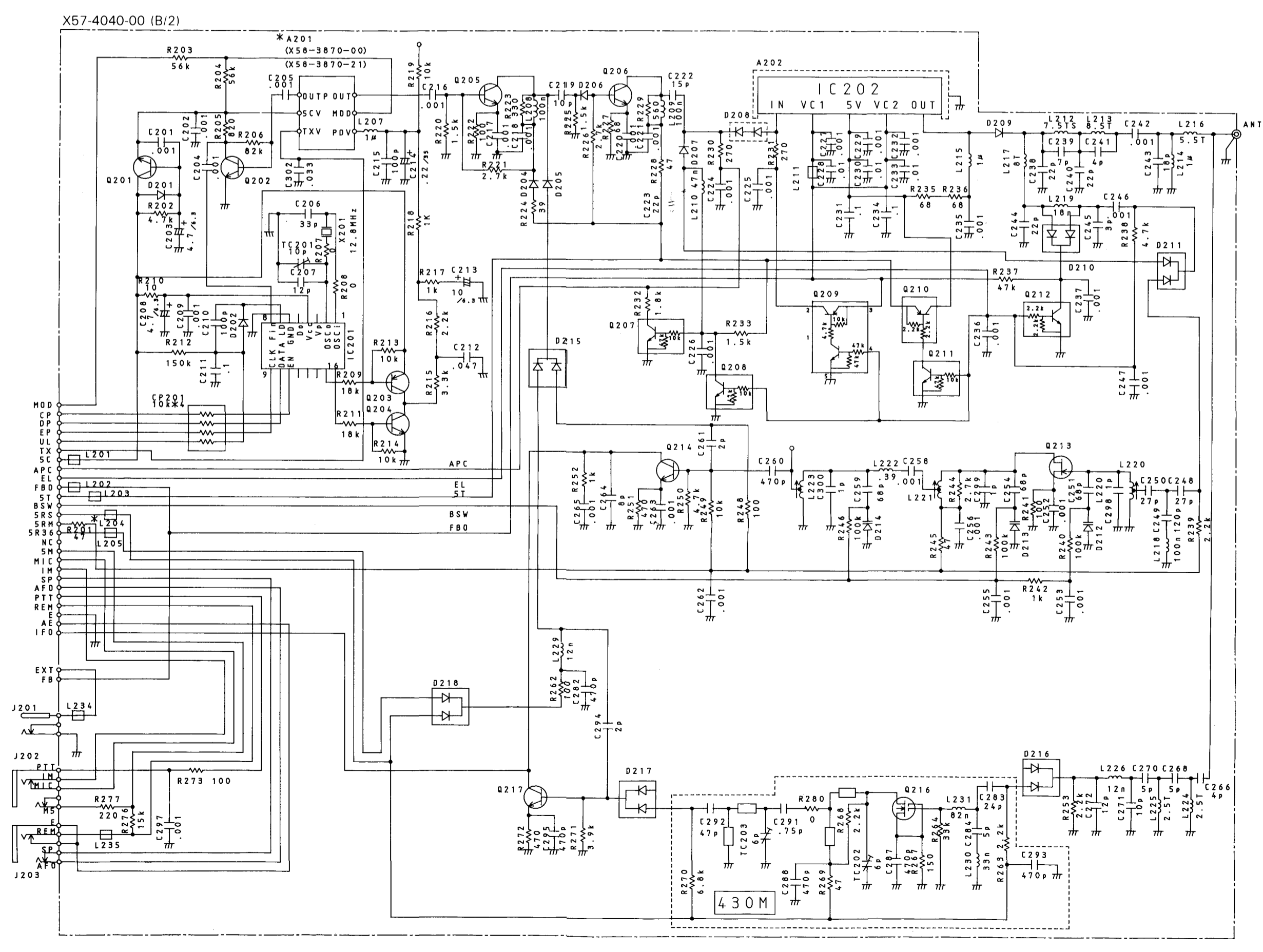


Note: Circuit is subject to change without notice due to advancements in technology.

TH-28/TH-48 2/3



- | | |
|----|--------|
| 01 | RA110 |
| 02 | RA120 |
| 03 | RA130 |
| 04 | RA140 |
| 05 | RA150 |
| 06 | RA160 |
| 07 | RA170 |
| 08 | RA180 |
| 09 | RA190 |
| 10 | RA200 |
| 11 | RA210 |
| 12 | RA220 |
| 13 | RA230 |
| 14 | RA240 |
| 15 | RA250 |
| 16 | RA260 |
| 17 | RA270 |
| 18 | RA280 |
| 19 | RA290 |
| 20 | RA300 |
| 21 | RA310 |
| 22 | RA320 |
| 23 | RA330 |
| 24 | RA340 |
| 25 | RA350 |
| 26 | RA360 |
| 27 | RA370 |
| 28 | RA380 |
| 29 | RA390 |
| 30 | RA400 |
| 31 | RA410 |
| 32 | RA420 |
| 33 | RA430 |
| 34 | RA440 |
| 35 | RA450 |
| 36 | RA460 |
| 37 | RA470 |
| 38 | RA480 |
| 39 | RA490 |
| 40 | RA500 |
| 41 | RA510 |
| 42 | RA520 |
| 43 | RA530 |
| 44 | RA540 |
| 45 | RA550 |
| 46 | RA560 |
| 47 | RA570 |
| 48 | RA580 |
| 49 | RA590 |
| 50 | RA600 |
| 51 | RA610 |
| 52 | RA620 |
| 53 | RA630 |
| 54 | RA640 |
| 55 | RA650 |
| 56 | RA660 |
| 57 | RA670 |
| 58 | RA680 |
| 59 | RA690 |
| 60 | RA700 |
| 61 | RA710 |
| 62 | RA720 |
| 63 | RA730 |
| 64 | RA740 |
| 65 | RA750 |
| 66 | RA760 |
| 67 | RA770 |
| 68 | RA780 |
| 69 | RA790 |
| 70 | RA800 |
| 71 | RA810 |
| 72 | RA820 |
| 73 | RA830 |
| 74 | RA840 |
| 75 | RA850 |
| 76 | RA860 |
| 77 | RA870 |
| 78 | RA880 |
| 79 | RA890 |
| 80 | RA900 |
| 81 | RA910 |
| 82 | RA920 |
| 83 | RA930 |
| 84 | RA940 |
| 85 | RA950 |
| 86 | RA960 |
| 87 | RA970 |
| 88 | RA980 |
| 89 | RA990 |
| 90 | RA1000 |



Note: Circuit is subject to change without notice due to advancements in technology.