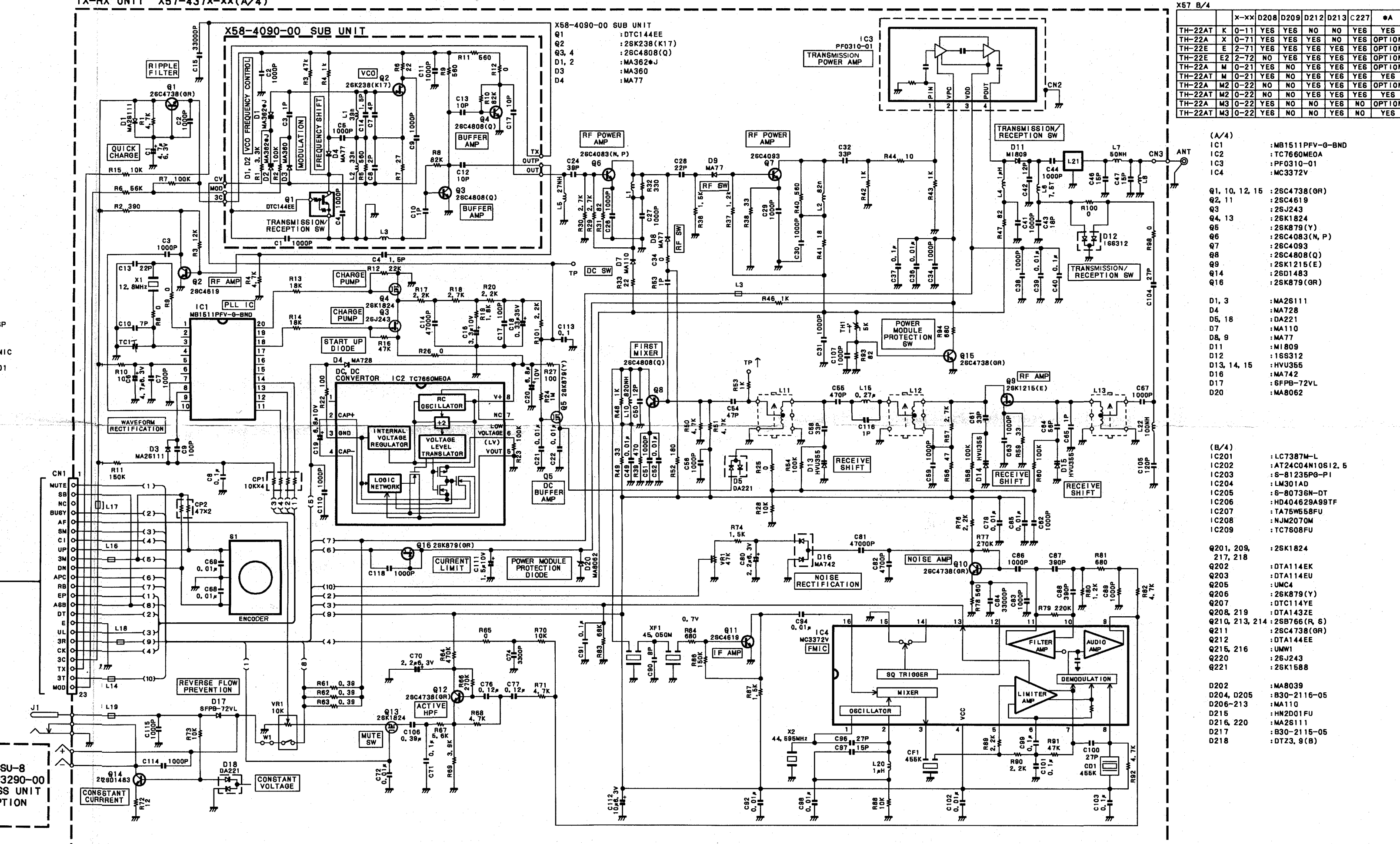
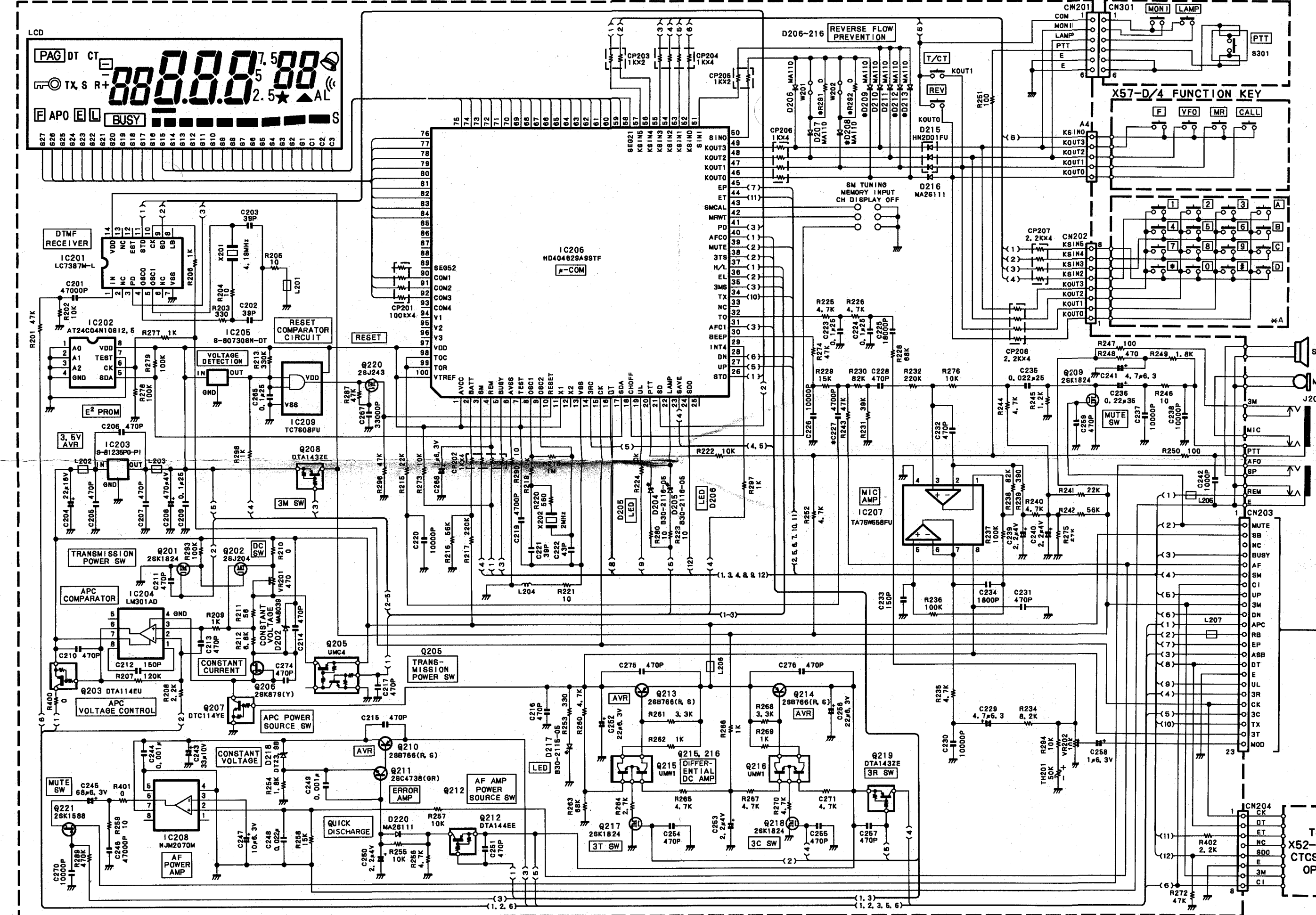


# TH-22A/22AT/22E SCHEMATIC DIAGRAM



TH-22AT	K	0-11	YES	YES	NO	NO	YES	YES
TH-22A	X	0-71	YES	YES	NO	NO	YES	OPTION
TH-22A	E	2-71	YES	YES	YES	YES	YES	OPTION
TH-22E	E	2-72	NO	YES	YES	YES	YES	OPTION
TH-22A	M	0-21	YES	NO	YES	YES	YES	OPTION
TH-22AT	M	0-21	YES	NO	YES	YES	YES	YES
TH-22A	M	0-22	NO	NO	YES	YES	YES	OPTION
TH-22AT	M	0-22	NO	NO	YES	YES	YES	YES
TH-22AT	M	0-22	YES	NO	NO	NO	NO	OPTION
TH-22AT	M	0-22	YES	NO	NO	YES	NO	YES

- (A/4)
- IC1 : MB1511PFV-G-BND
  - IC2 : TC7606MEA
  - IC3 : PF0310-01
  - IC4 : MC3372V
- Q1, 10, 12, 15 : 28C4738(6R)
- Q2, 11 : 28C4619
- Q3 : 28J243
- Q4, 13 : 28K1824
- Q5 : 28K879(Y)
- Q6 : 28C4083(N, P)
- Q7 : 28C4093
- Q8 : 28C4808(Q)
- Q9 : 28K1215(E)
- Q14 : 28S1483
- Q16 : 28K879(OR)

- (B/4)
- IC201 : LC7387M-L
  - IC202 : AT24C04N10812.5
  - IC203 : S-8123BP0-P1
  - IC204 : LM301AD
  - IC205 : S-80738N-DT
  - IC206 : HD0404629A99TF
  - IC207 : TA75658FU
  - IC208 : NJM2070M
  - IC209 : TC7608FU

- Q201, 209 : 28K1824
- Q217, 218 : 28K1824
- Q202 : DTA114EK
- Q203 : DTA114EU
- Q205 : UM4
- Q206 : 28K879(Y)
- Q207 : DT1C114YE
- Q208, 219 : DTA143ZE
- Q210, 213, 214 : 28B766(R, S)
- Q211 : 28C4738(6R)
- Q212 : DTA144EE
- Q215, 216 : UMW1
- Q220 : 28J243
- Q221 : 28K1688

- D202 : MA8039
- D204, D205 : B30-2115-05
- D206-213 : MA110
- D207 : HN2001FU
- D215 : MA29111
- D216, 220 : B30-2115-05
- D218 : DT23, 9(B)

Note: Circuits are subject to change without notice due to advancements in technology.