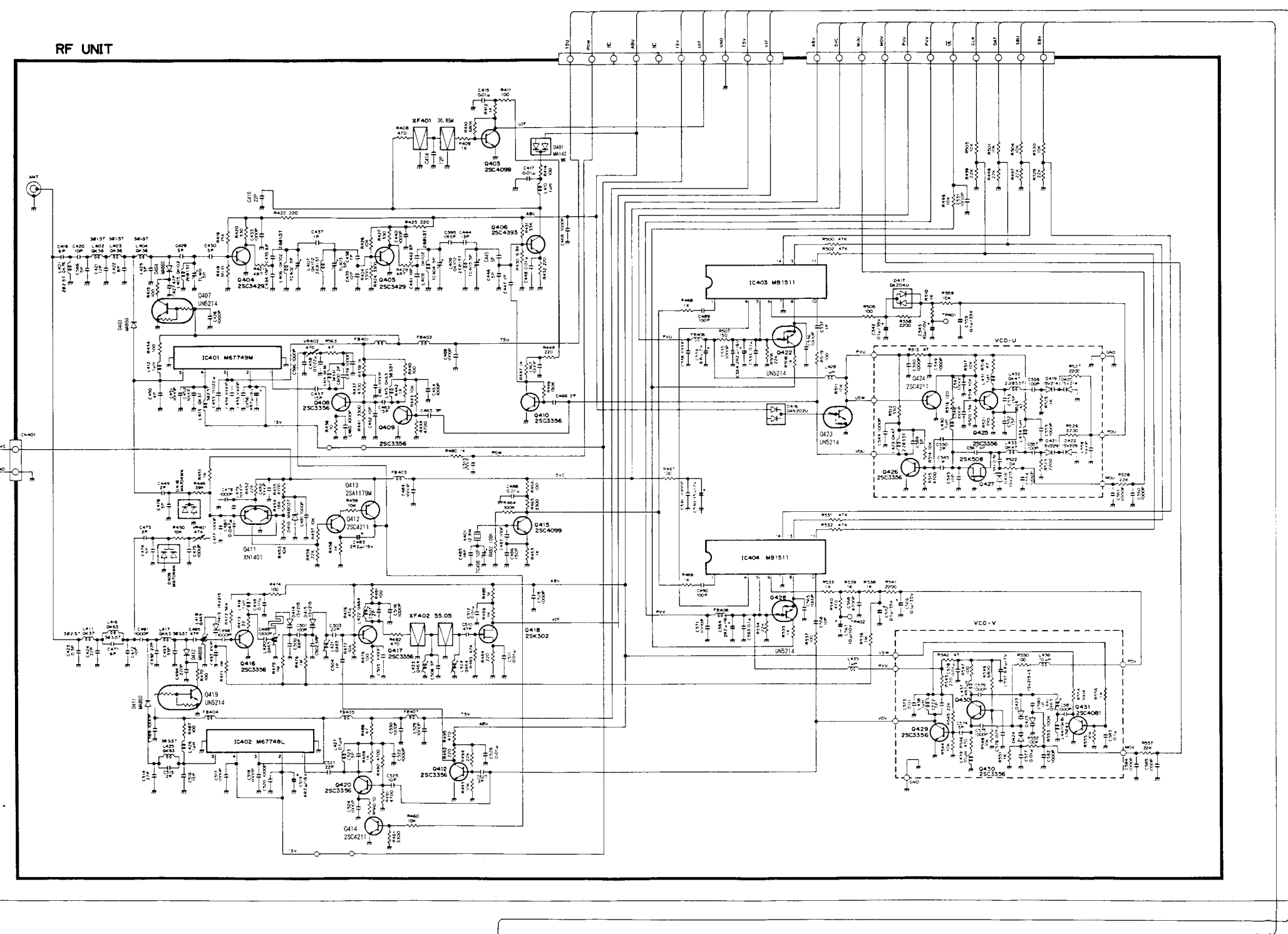
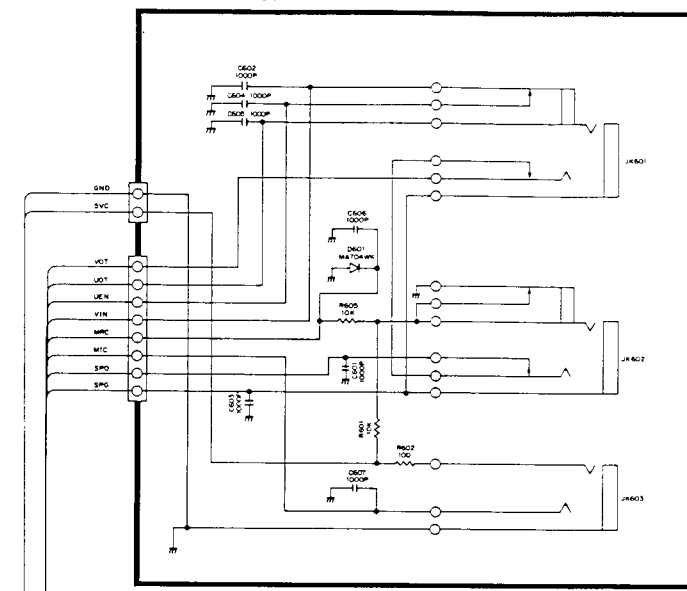


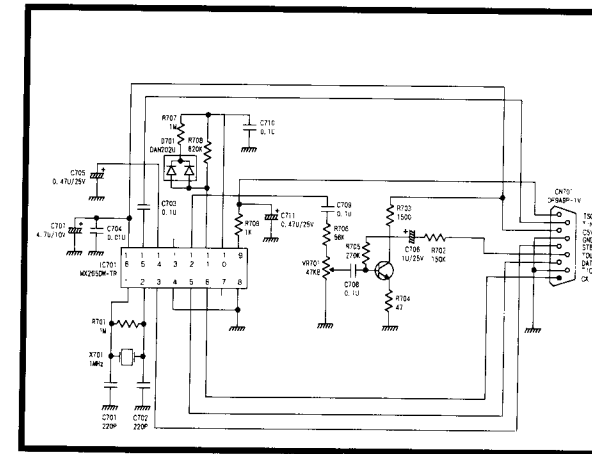
RF UNIT



JACK UNIT



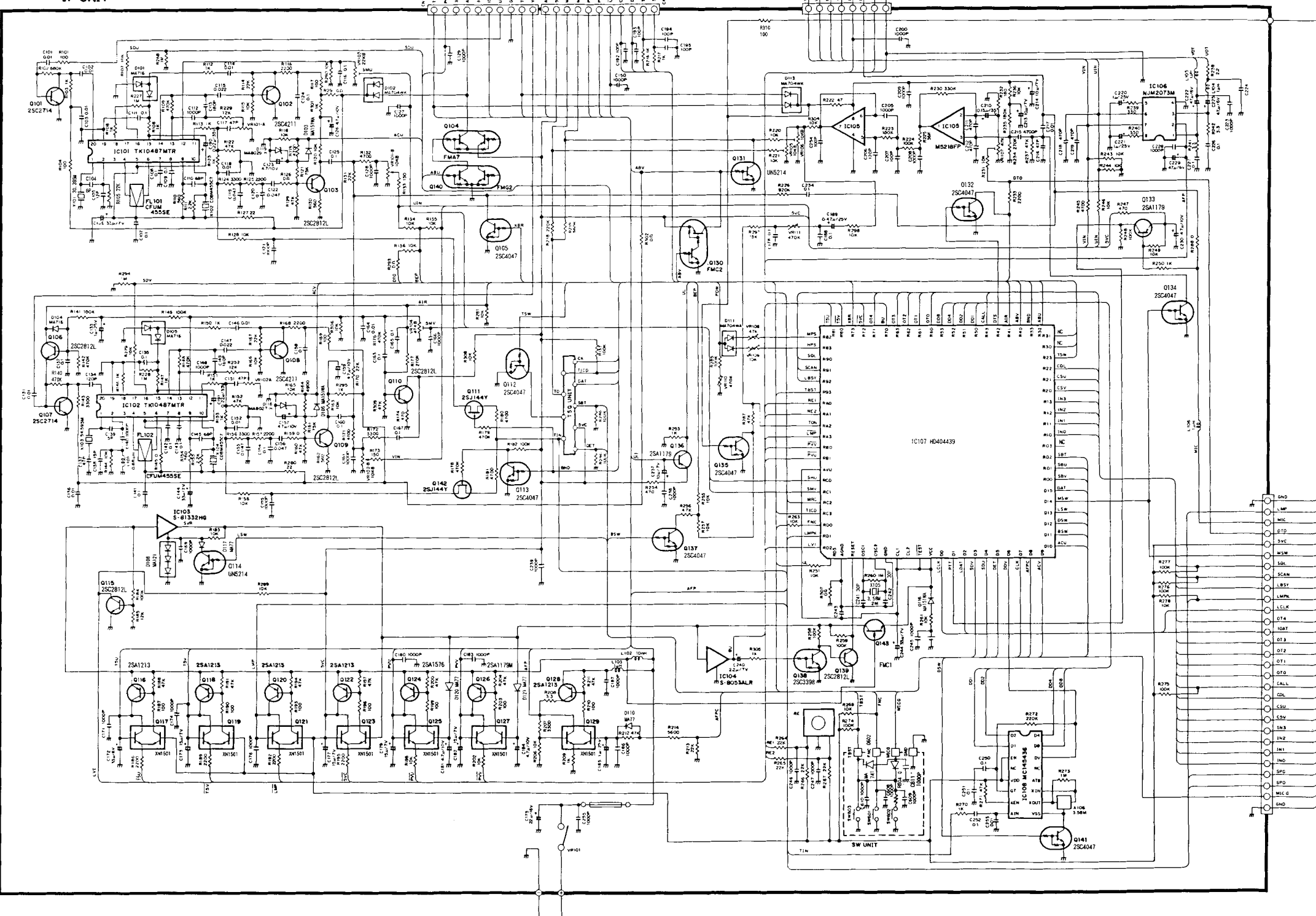
TSQ UNIT (DJ-582 E:OPTION)



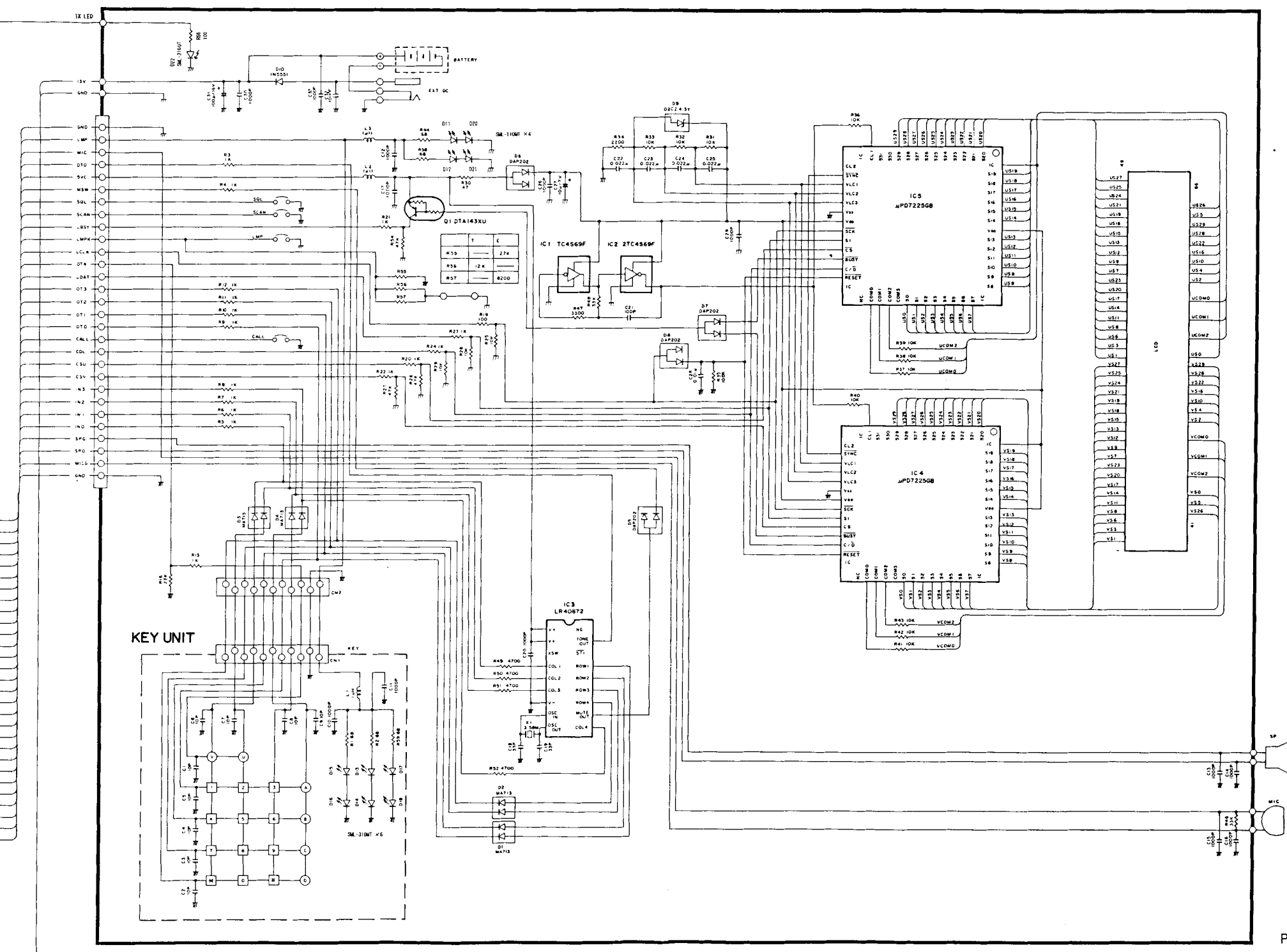
SCHEMATIC DIAGRAM DJ-582T DJ-582E

Specifications are subject to change without notice or obligation.

IF UNIT



LCD UNIT



KEY UNIT

