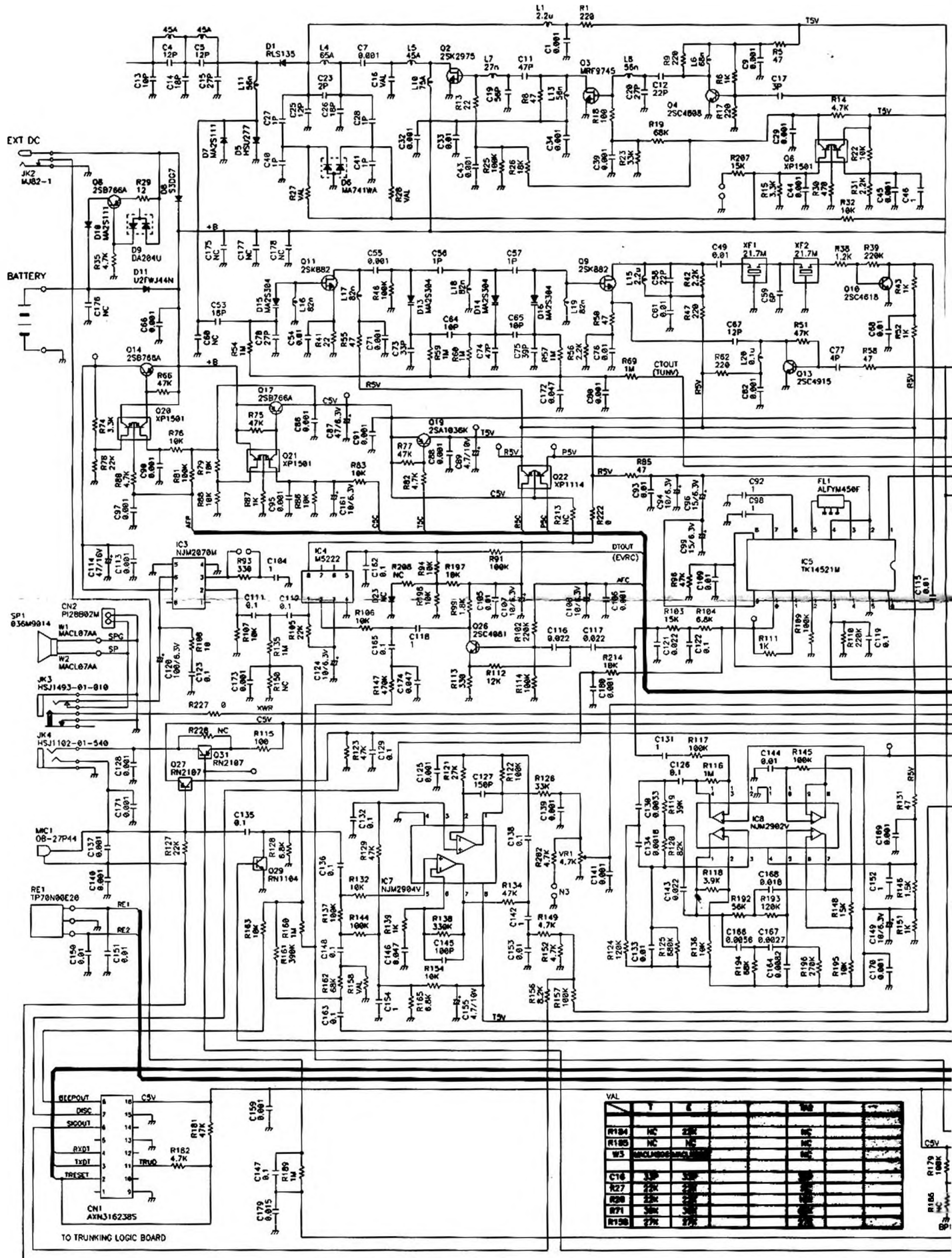
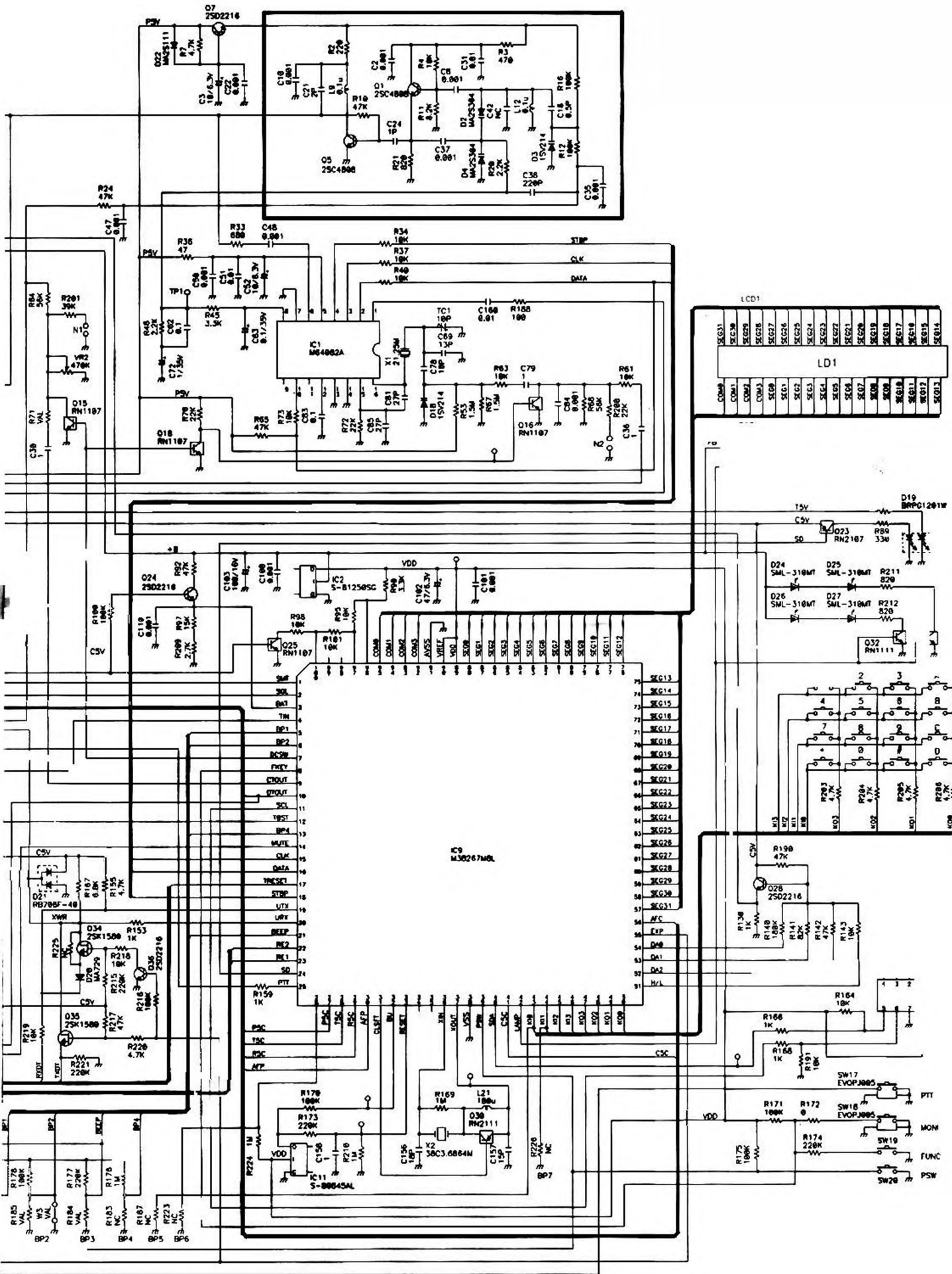


# SCHEMATIC DIAGRAM DJ-196T/E



Specifications are subject to change without notice or obligation.



LD1

SEC31
COM1
COM2
COM3
SEC27
SEC28
SEC29
SEC30
SEC32
SEC33
SEC34
SEC35
SEC36
SEC37
SEC38
SEC39
SEC40
SEC41
SEC42
SEC43
SEC44
SEC45
SEC46
SEC47
SEC48
SEC49
SEC50
SEC51
SEC52
SEC53
SEC54
SEC55
SEC56
SEC57
SEC58
SEC59
SEC60
SEC61
SEC62
SEC63
SEC64
SEC65
SEC66
SEC67
SEC68
SEC69
SEC70
SEC71
SEC72
SEC73
SEC74
SEC75
SEC76
SEC77
SEC78
SEC79
SEC80
SEC81
SEC82
SEC83
SEC84
SEC85
SEC86
SEC87
SEC88
SEC89
SEC90
SEC91
SEC92
SEC93
SEC94
SEC95
SEC96
SEC97
SEC98
SEC99
SEC100

U9  
M30267M0L