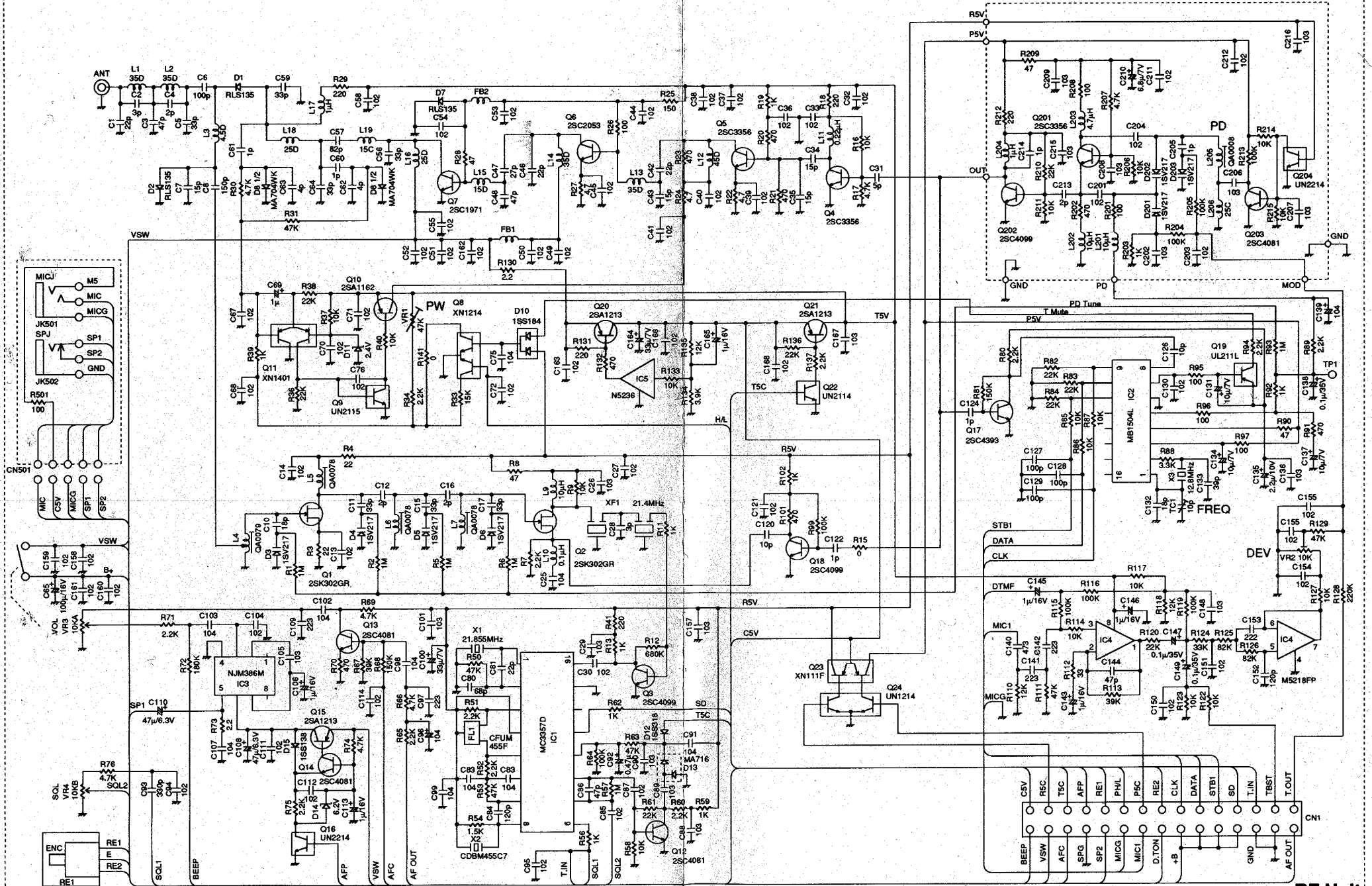
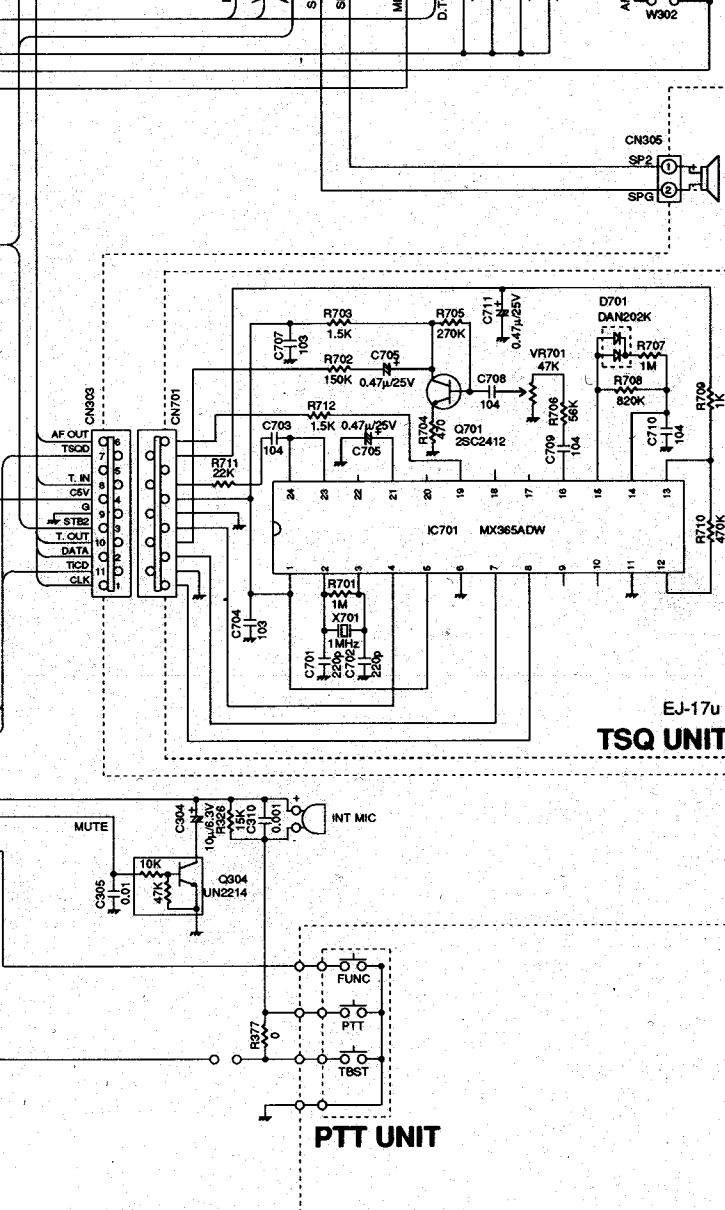
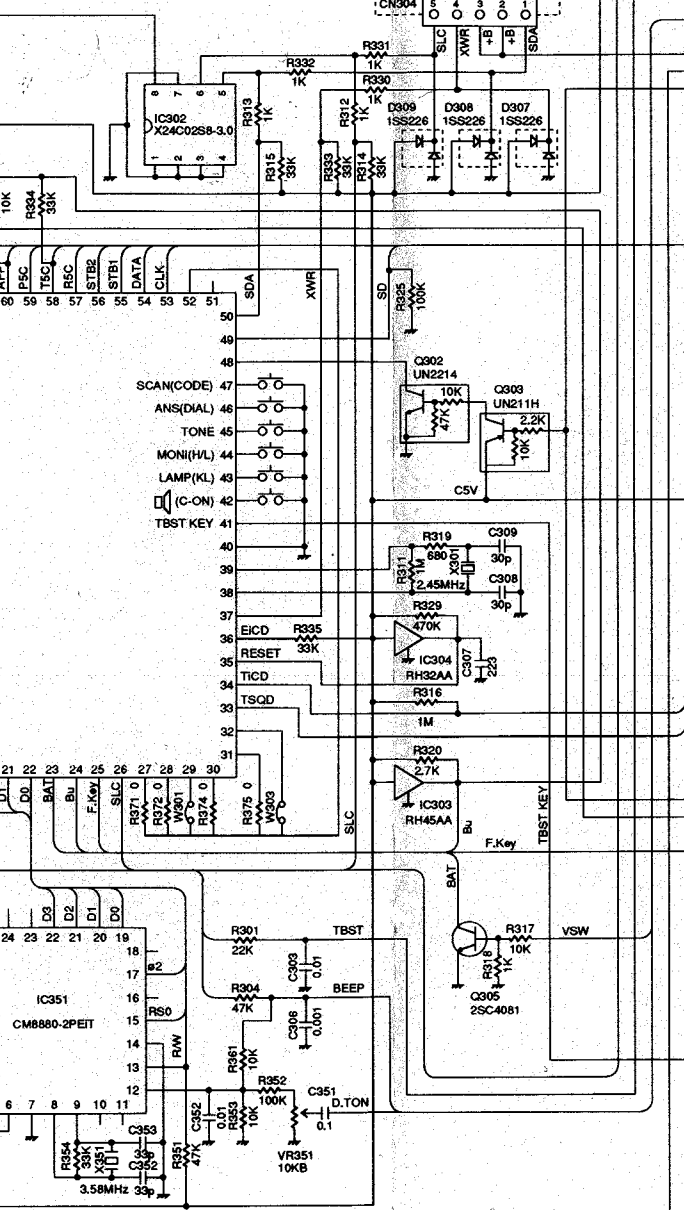
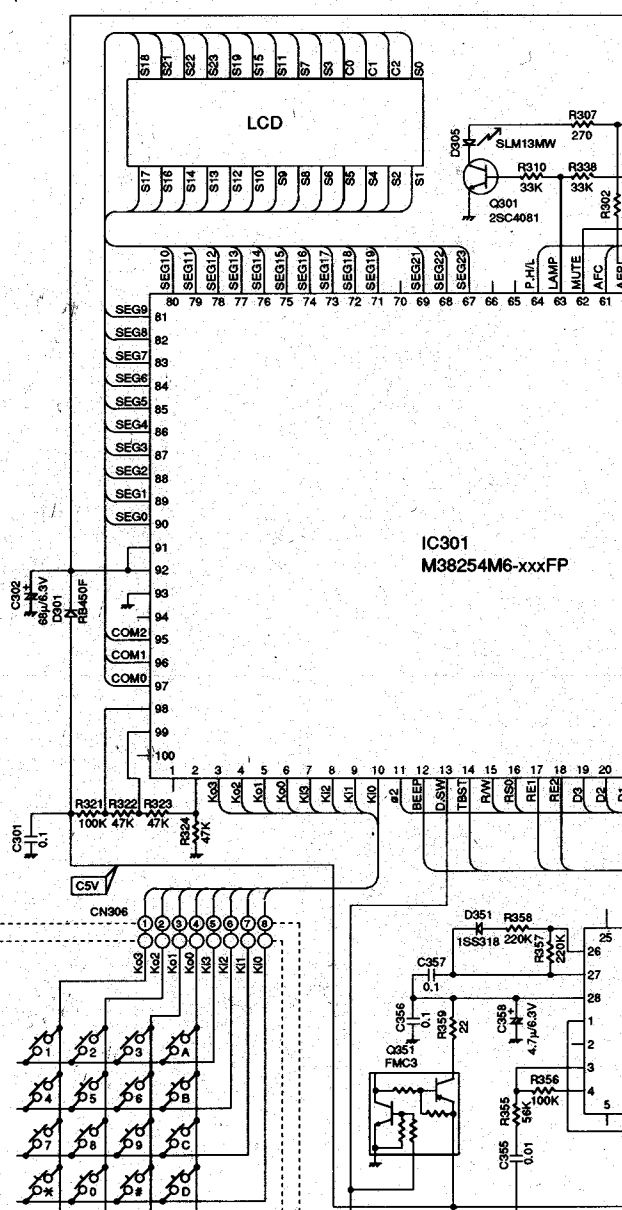


SCHEMATIC DIAGRAM DJ-182C1/C2

Specifications are subject to change without notice or obligation.



RF Unit



16KEY UNIT

CPU UNIT

PK0043

PS UNIT

EJ-17u
TSQ UNIT

PTT UNIT