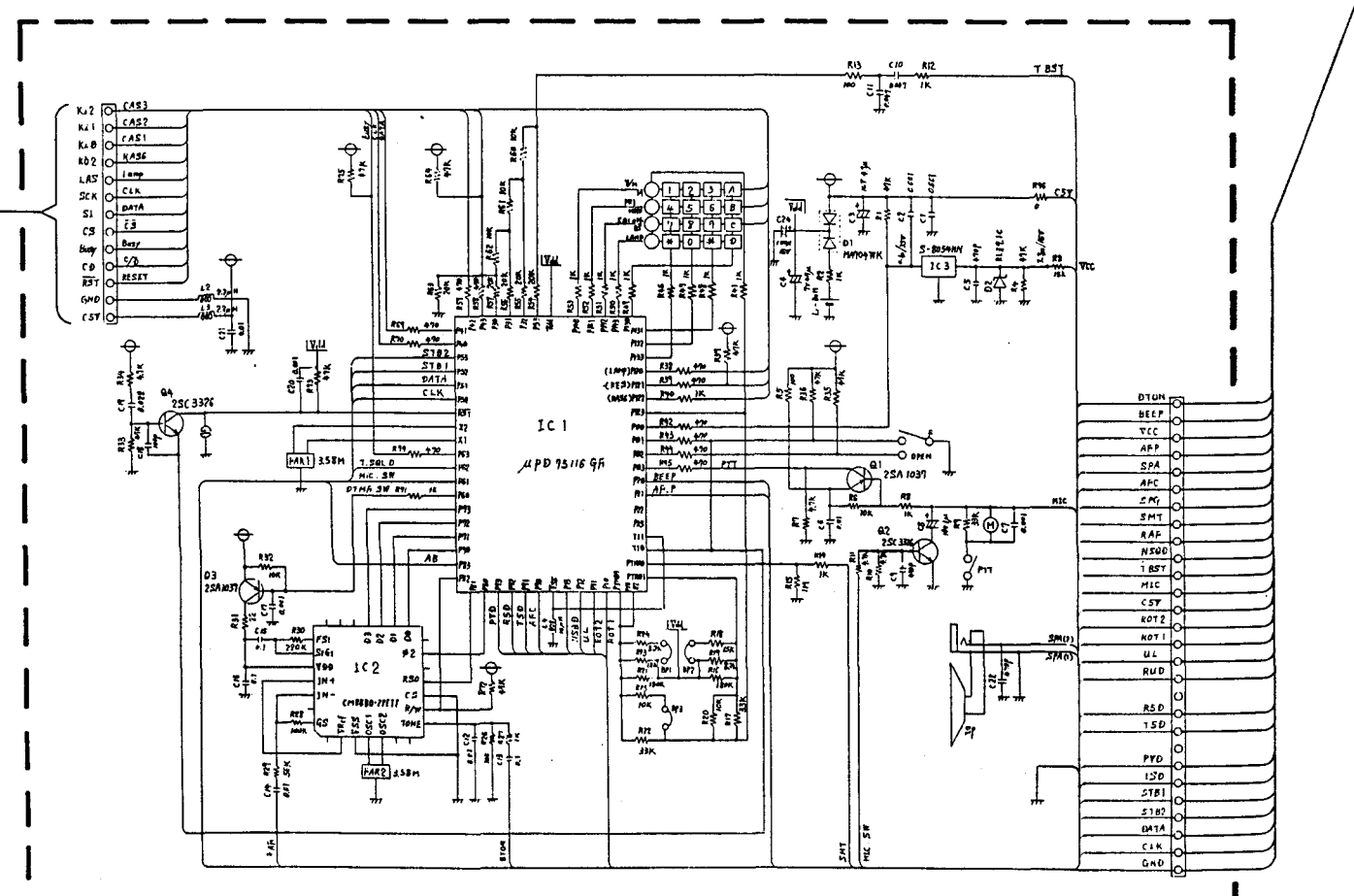
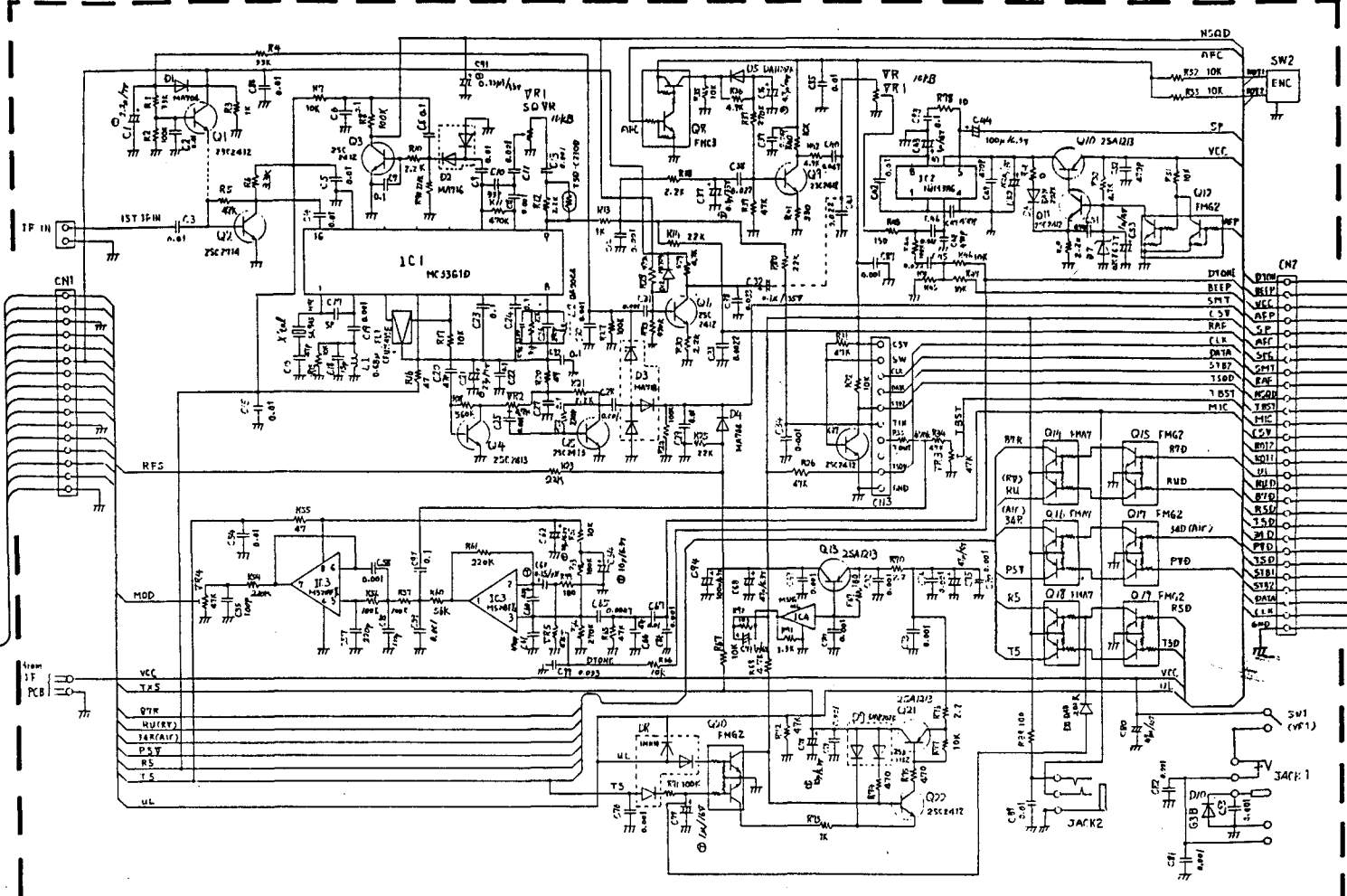
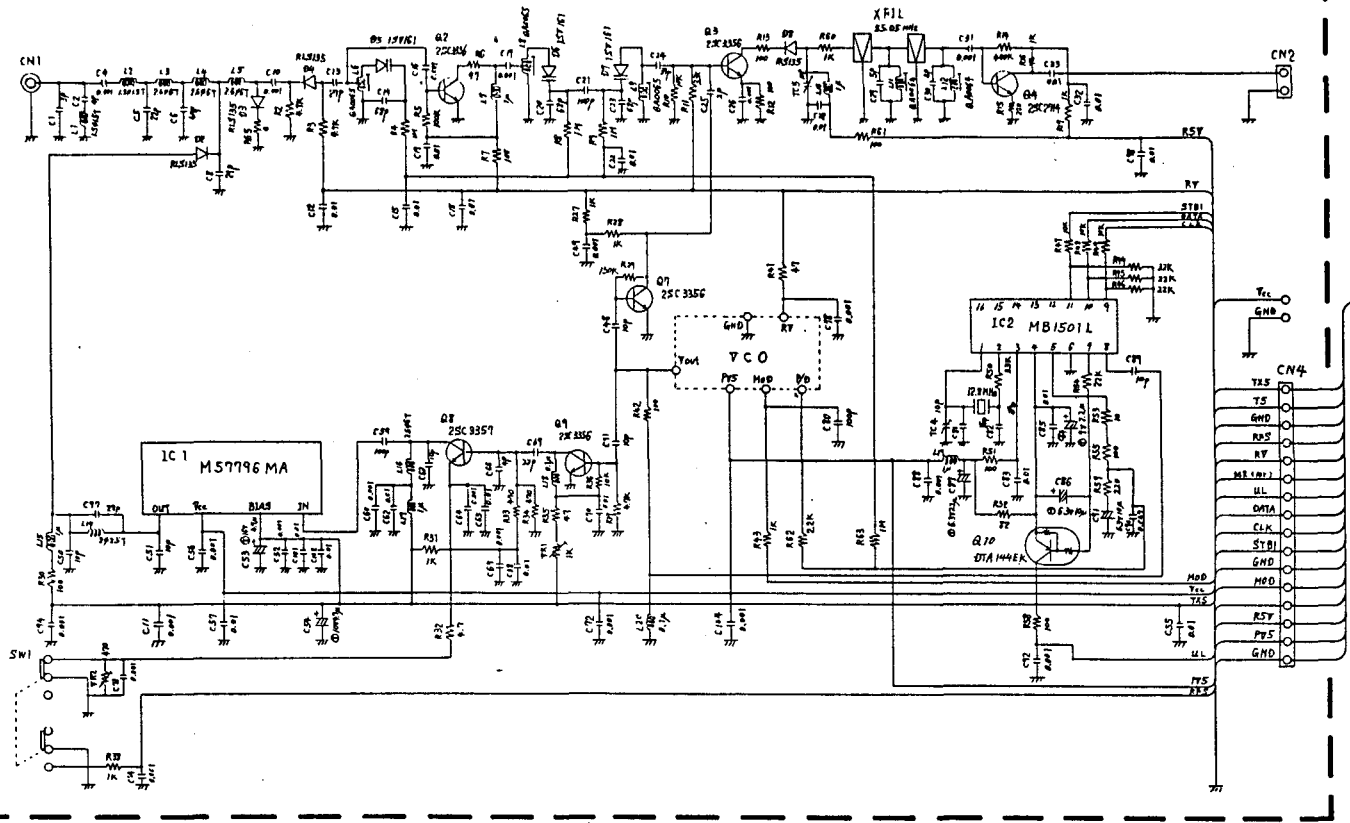


# IF UNIT

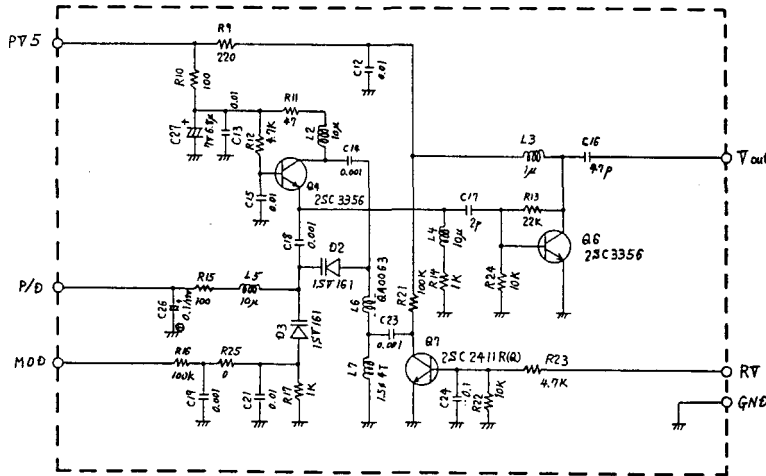


	DJ-162	TD	ED
R13	100	1K	
R19		8.2K	
R20	10K		
R24		8.2K	
R54	20K		
R55	20K		
R56	20K		
R57	20K	1K	
R60	10K	0	
R61	10K	0	
R62	10K	0	
R63	20K		
C10	0.047	0.01	
C11	0.047	0.01	
C30		0.047	

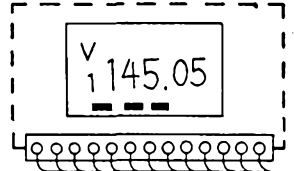
RF UNIT



VOC UNIT



LCD UNIT



**SCHEMATIC  
DIAGRAM  
DJ-162TD/ED**

Specifications are subject to change without notice or obligation.

	DJ-16	TD	E
R13	100	1	
R19	—	8.	
R20	10K	—	
R24	—	8.	
R54	20K	—	
R55	20K	—	
R56	20K	—	
R57	20K	1	
R60	10K	—	
R61	10K	—	
R62	10K	—	
R63	20K	—	
C10	0.047	0	
C11	0.047	0	
C30	—	0.	