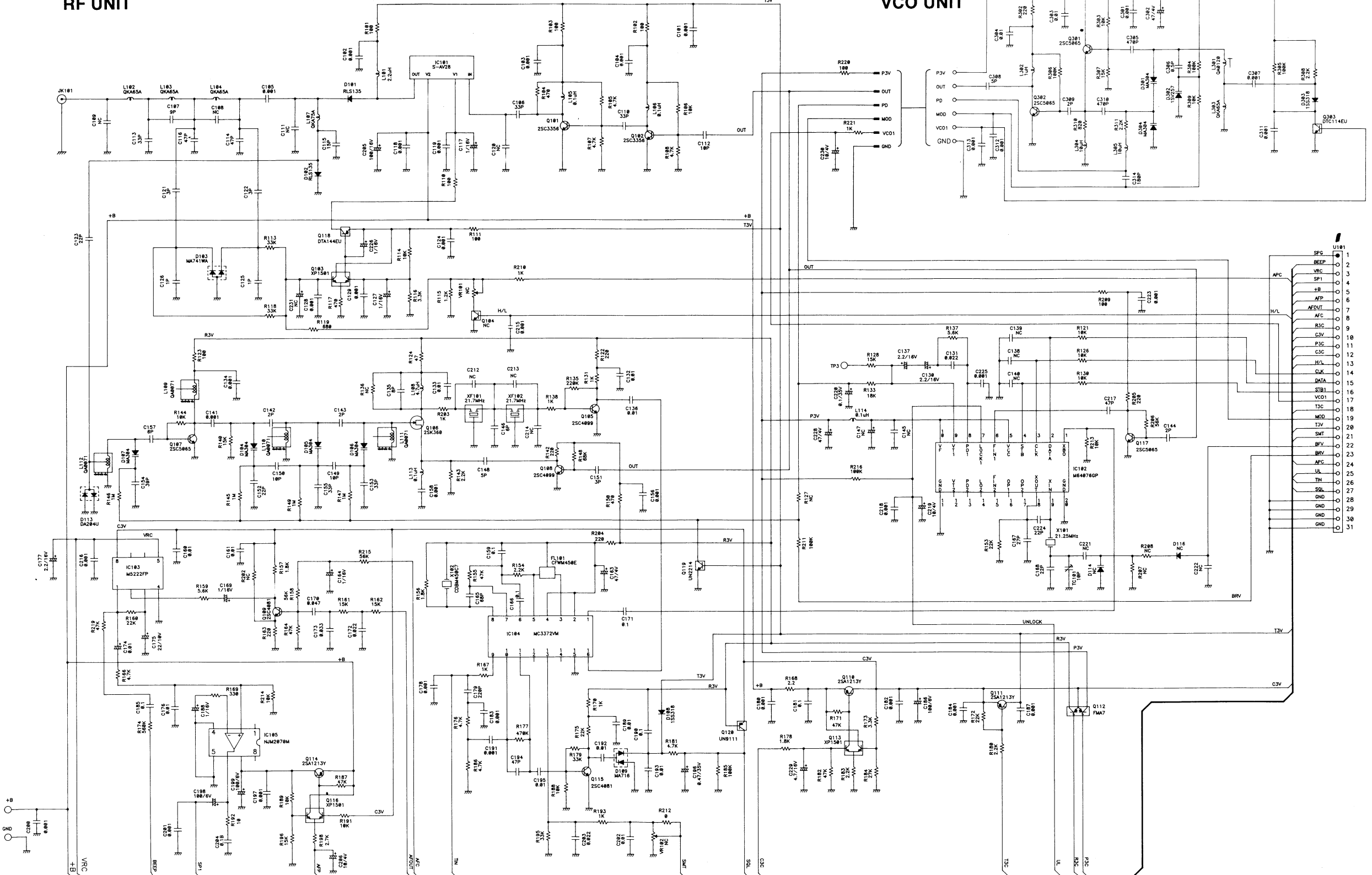
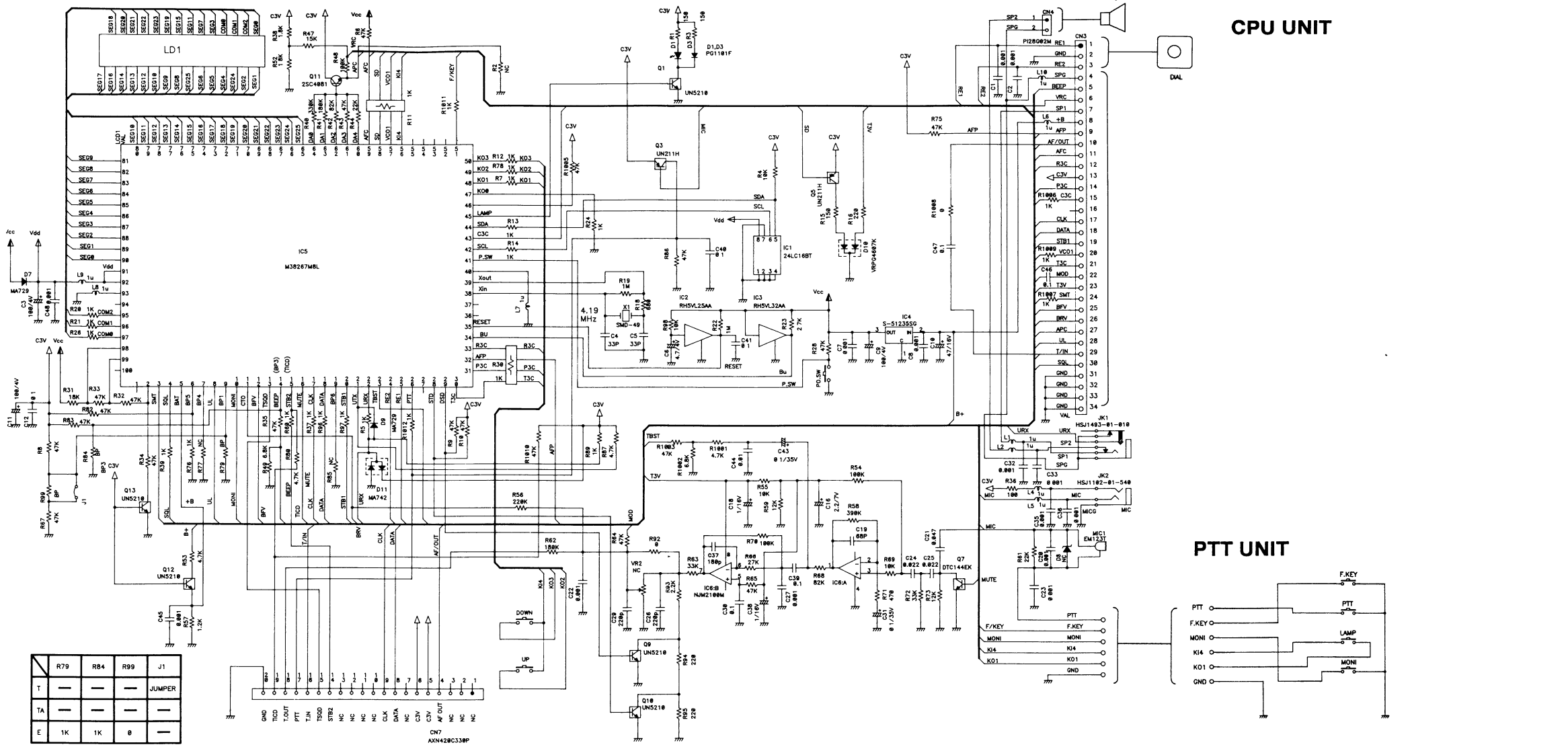


RF UNIT

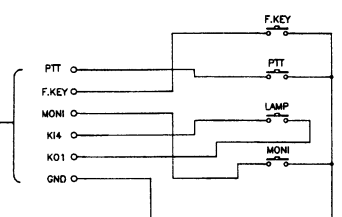
VCO UNIT



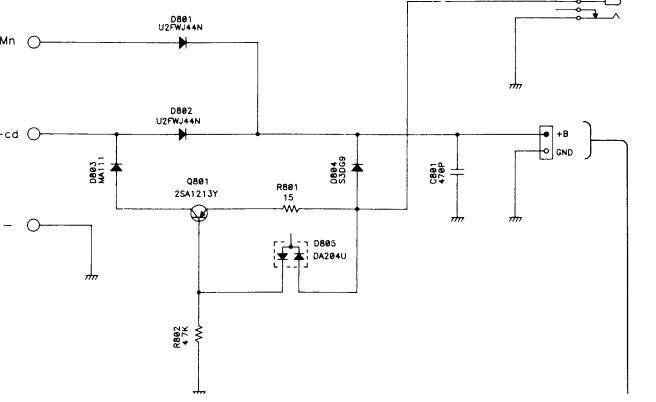
CPU UNIT



PTT UNIT



CHARGE UNIT



SCHEMATIC DIAGRAM DJ-190T/E

T	R79	R84	R99	J1
TA	1K	1K	0	JUMPER
E	1K	1K	0	