

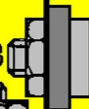
- NOTES:
1. RESISTANCE VALUES ARE SHOWN IN OHMS UNLESS OTHERWISE NOTED.
  2. RESISTOR RATINGS ARE 1/8W UNLESS OTHERWISE NOTED.
  3. CAPACITANCE VALUES ARE INDICATED IN MICRO FARADS UNLESS OTHERWISE NOTED. (P=PICO-MICRO FARAD)
  4. ALL CAPACITORS TEMPERATURE CHARACTERISTICS ARE 5% (LESS THAN 1000PF) OR 10% (1000PF OR MORE) UNLESS OTHERWISE NOTED.
  5. CHIP PARTS ARE NOT SPECIFIED IN THIS SCHEMATIC DIAGRAM. PLEASE REFER TO THE PARTS LIST FOR THE CHIP PARTS.
  6. VOLTAGE IN ( ) SHOWS TX CONDITION. NO MARK SHOWS RX CONDITION.
  7. VOLTAGES IN [ ] CIRCUITS (022, 024...) ARE SHOWN DURING RX OR COMDITION.

**PRESIDENT**  
**J.F.K.** **N**

DESIGN	DATE	UT-3492	MODEL NO.	J. F. K.
DRG. BY	APPROV. BY	SCHEMATIC DIAGRAM		
REV.	NO.	REV. NO.	E11-3877	



**Q 901 2SC1944C**  
**Push Pull**



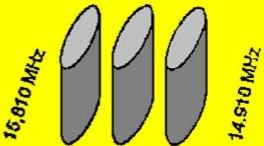
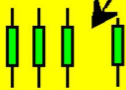
**Q 902 Final**  
**Transistors**

**Q 903**



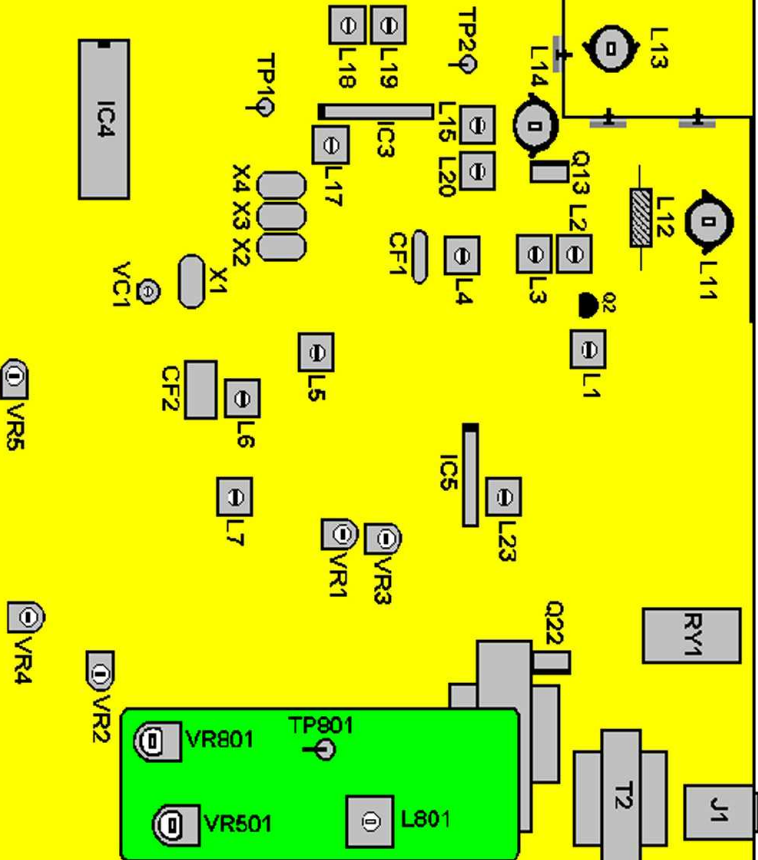
**R49**

*Remove the Trimmer and solder R49 ( 1 ohm )*



*Remove the solder (straps) between X2, X3 and X4*  
**Add X-2 & X-4**

# New PCB



# Old PCB

