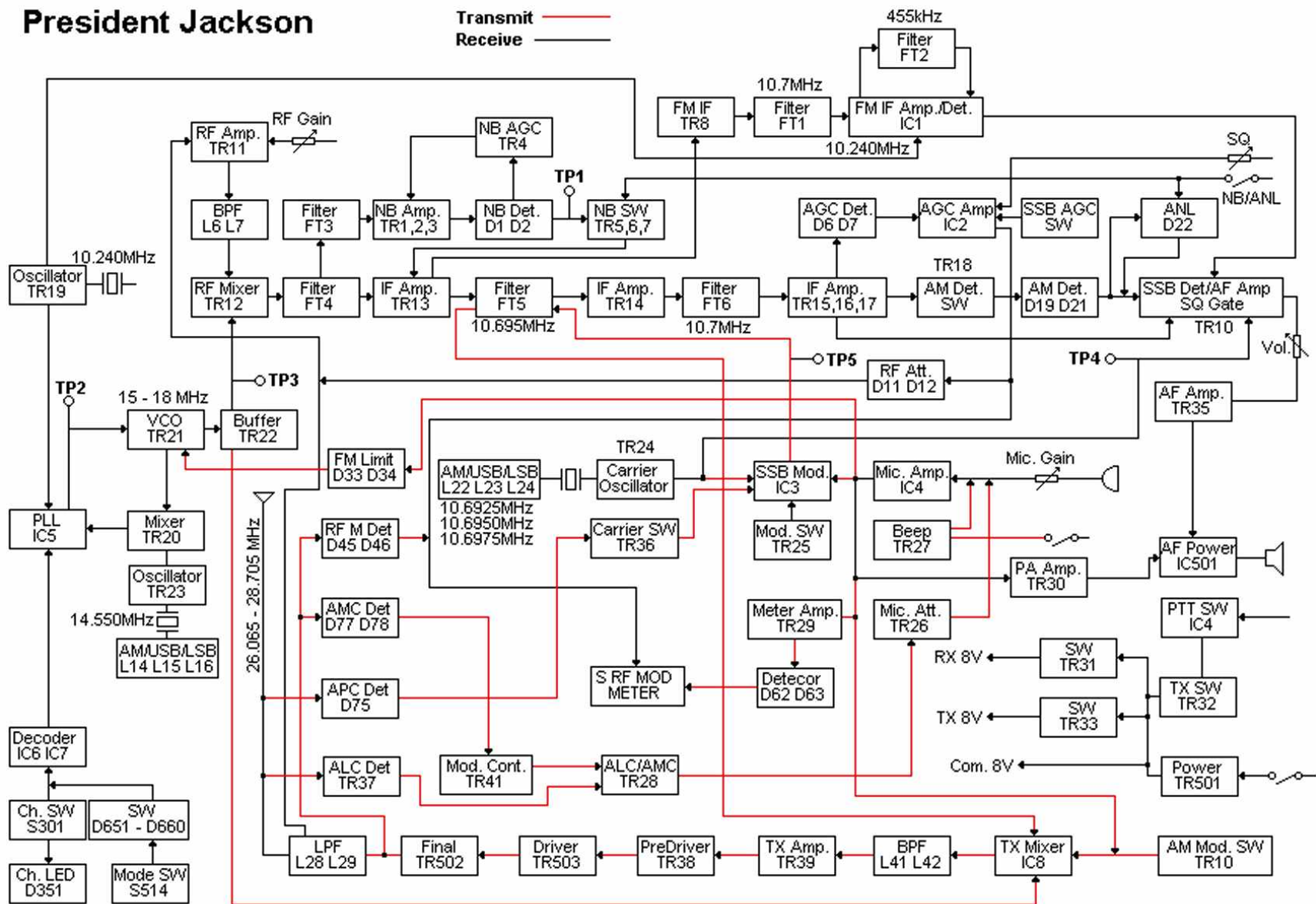


NOTES:
 1. RESISTANCE VALUES ARE SHOWN IN OHMS UNLESS OTHERWISE NOTED. (K = KILO OHM, M = MEG OHM)
 2. RESISTOR VALUES ARE μ W UNLESS OTHERWISE NOTED
 3. CAPACITANCE VALUES ARE INDICATED IN MICROFARADS UNLESS OTHERWISE NOTED (P = PICO-MICROFARAD)
 4. ALL CAPACITORS TEMPERATURE CHARACTERISTICS ARE $\pm 5\%$ (LESS THAN 1000PF) OR $\pm 10\%$ (MORE THAN 1000PF) UNLESS OTHERWISE NOTED.

DRAWN BY: **57.12K**
 CHECKED BY: **57.12K**
 APPROVED BY: **57.12K**
 TITLE: **SCHEMATIC DIAGRAM**
 MODEL NO.: **UT-847 JACKSON**
 DRAWING NO.: **E12-2108**
 UNIDEN CORP.

President Jackson

Transmit ———
Receive ———



VR7



VR12



VR8



VR11



VR1



VR2



Soldering side

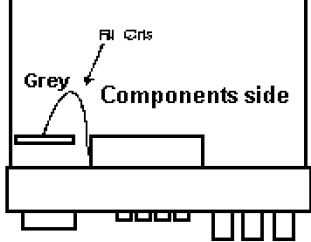
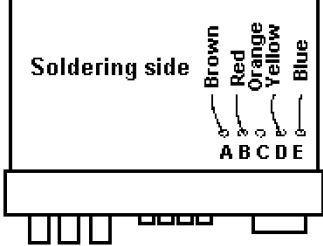
Brown
Red
Orange
Yellow
Blue

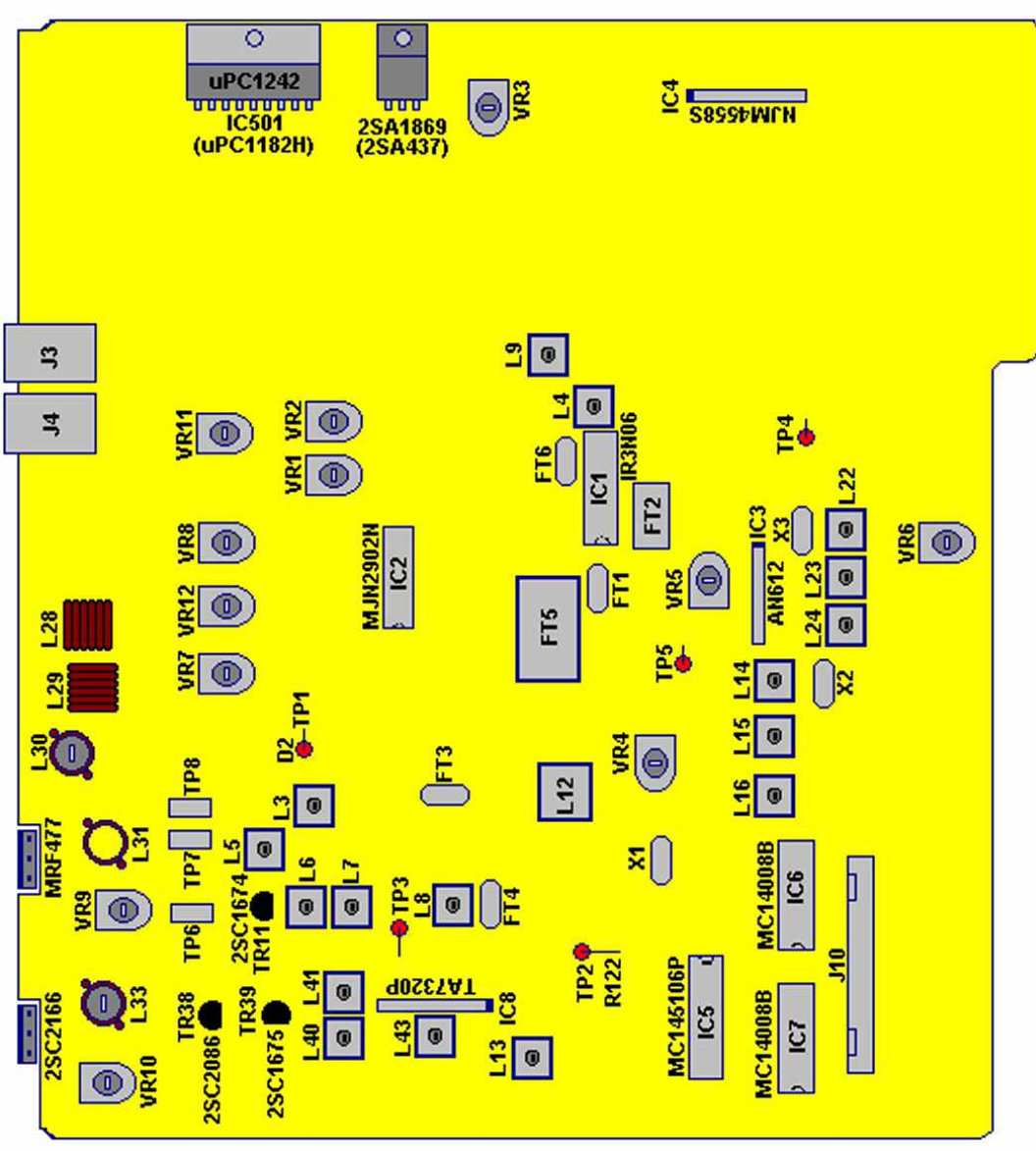
A B C D E

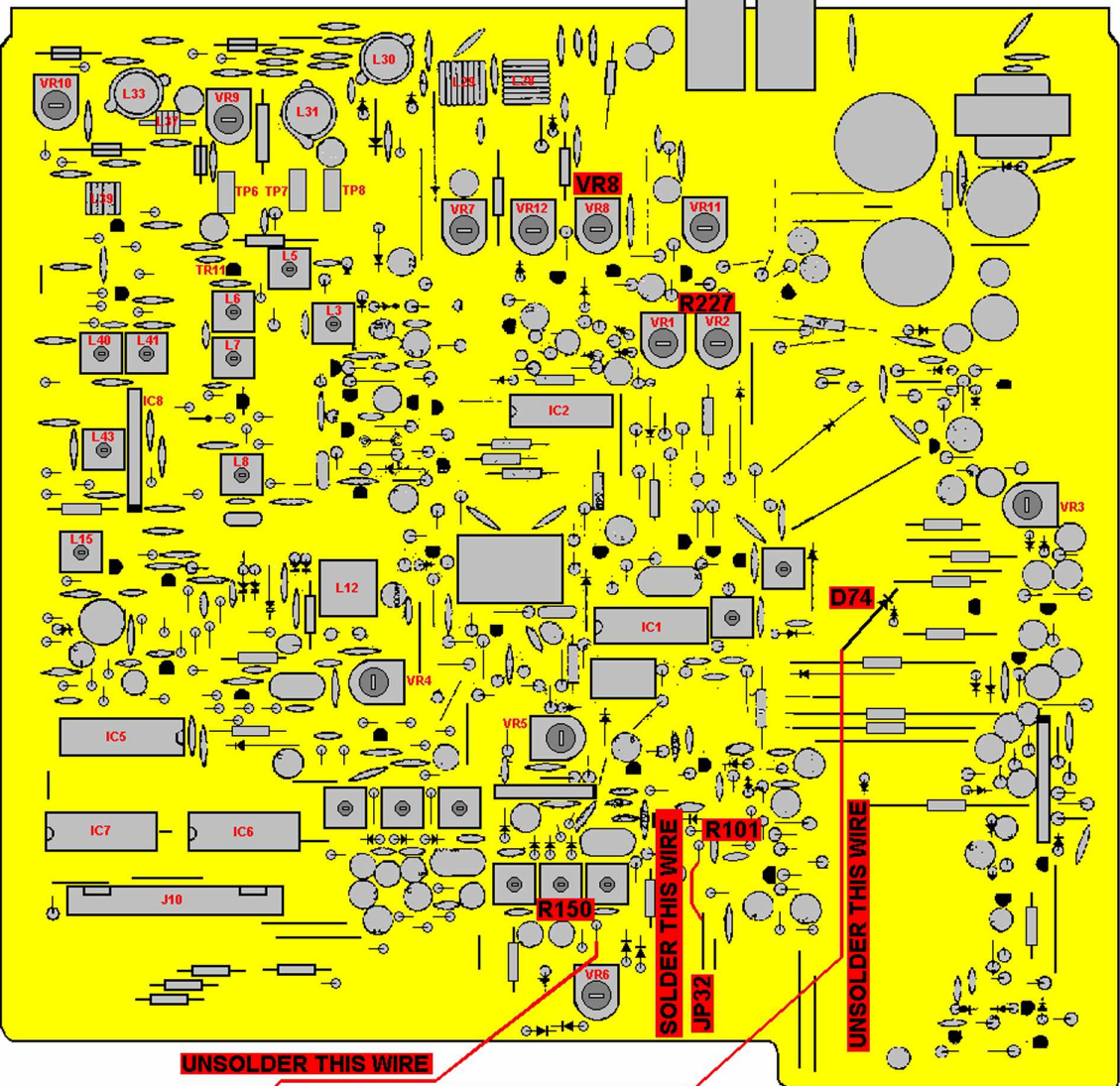
Grey

All Guts

Components side





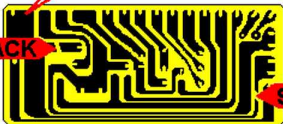


UNSOLDER THIS WIRE

SOLDER THIS WIRE

UNSOLDER THIS WIRE

SOLDER THIS TRACK



SOLDER THIS TRACK



UNSOLDER THIS WIRE



FINE TUNE

MIC GAIN
MP GAIN

CLARIFIER

BAND

VOLUME
OFF

SQUELCH
M

FM
A/B USB
LSB

40
CHANNEL
POWER BEEP
MONO
S/M
M/R
OFF
400Hz
NORMAL
OFF

PRESIDENT

RX

TX

JACKSON

AM/FM-558 TRANSCEIVER