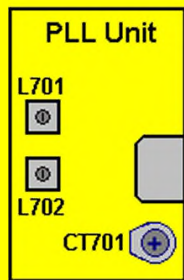




L16



L1



TP1

TP3



L4



L5



L6



L7



L9



RT6



RT3



RT8



RT2



TP2



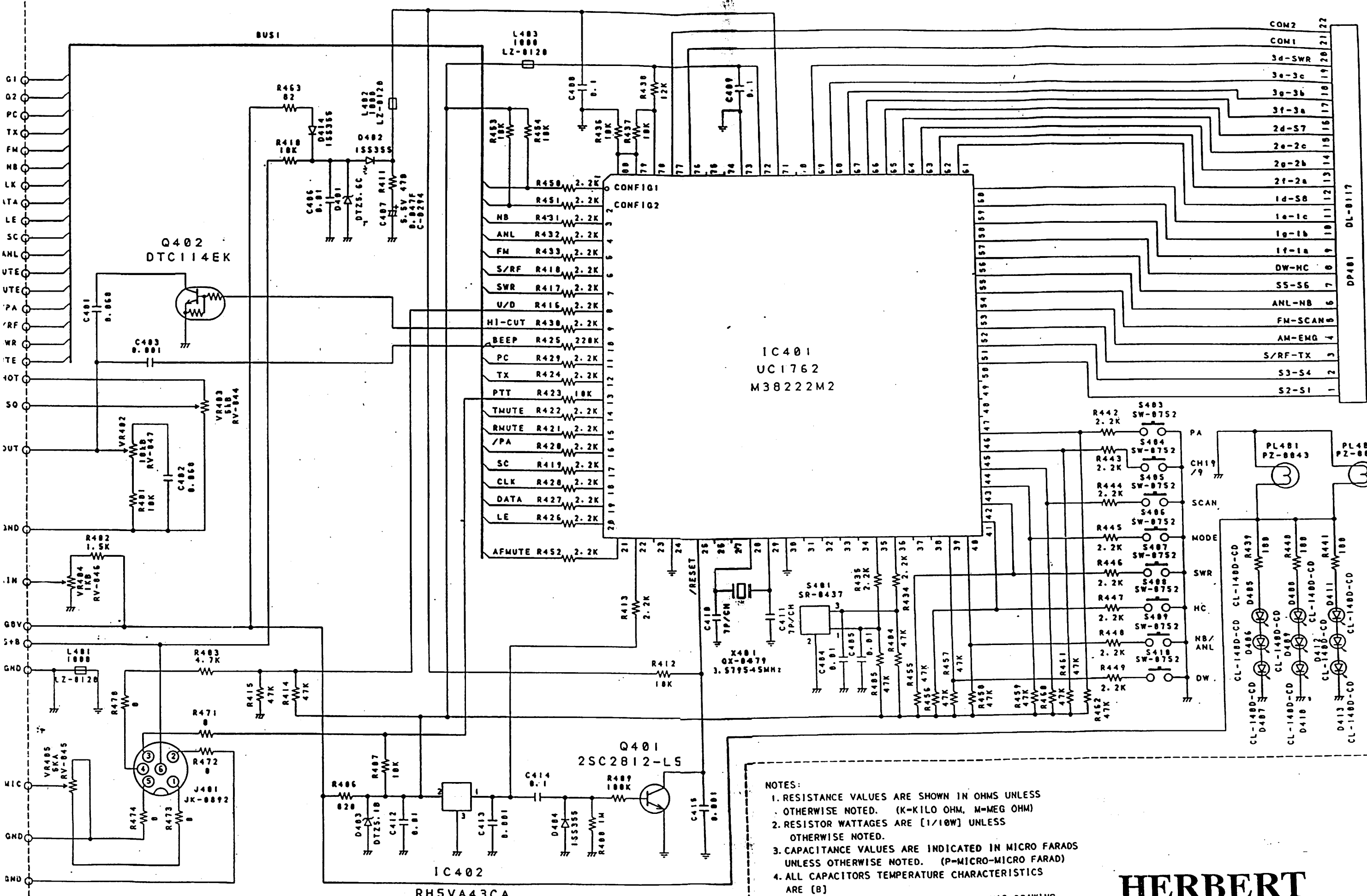
RT1



RT5

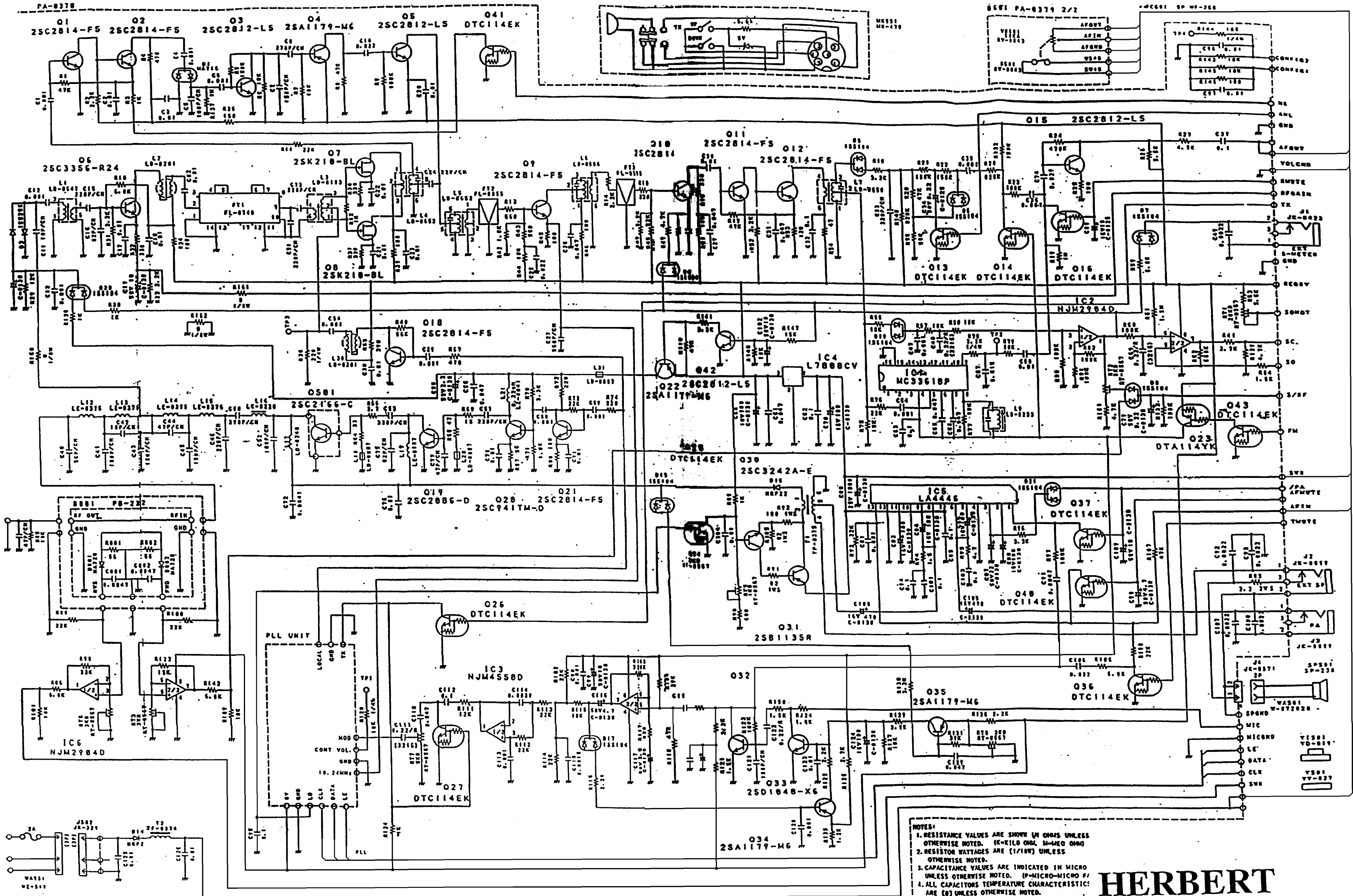


RT4



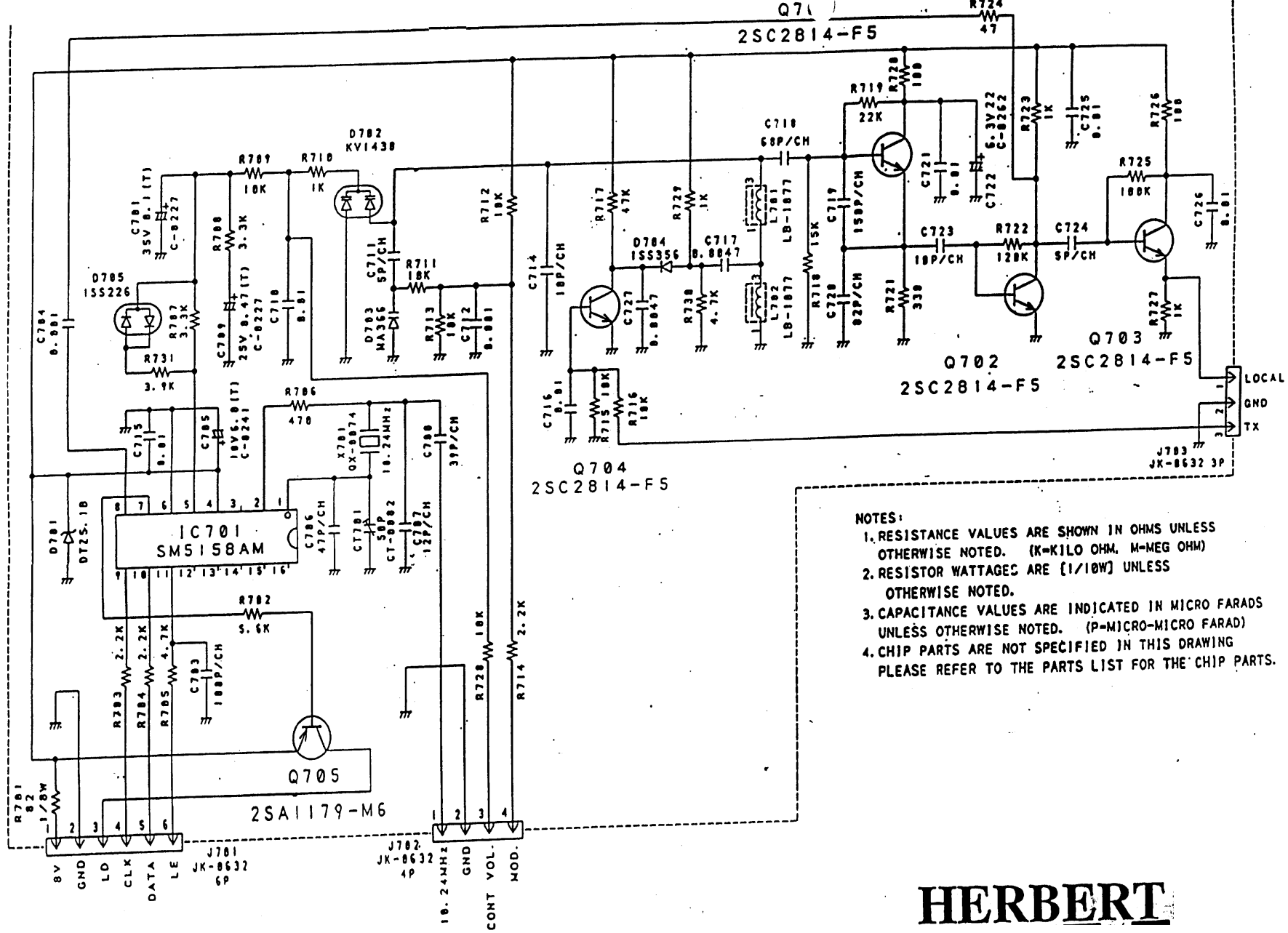
- NOTES:
1. RESISTANCE VALUES ARE SHOWN IN OHMS UNLESS OTHERWISE NOTED. (K-KILO OHM, M-MEG OHM)
 2. RESISTOR WATTAGES ARE [1/10W] UNLESS OTHERWISE NOTED.
 3. CAPACITANCE VALUES ARE INDICATED IN MICRO FARADS UNLESS OTHERWISE NOTED. (P-MICRO-MICRO FARAD)
 4. ALL CAPACITORS TEMPERATURE CHARACTERISTICS ARE [B]
 5. CHIP PARTS ARE NOT SPECIFIED IN THIS DRAWING

HERBERT



- NOTES:
1. RESISTANCE VALUES ARE SHOWN IN OHMS UNLESS OTHERWISE NOTED. 1K-KILO OHM, M-MEG OHM
 2. RESISTOR WATTAGES ARE (1/10W) UNLESS OTHERWISE NOTED.
 3. CAPACITANCE VALUES ARE INDICATED IN MICRO UNLESS OTHERWISE NOTED. (P-MICRO-MICRO F)
 4. ALL CAPACITORS TEMPERATURE CHARACTERISTIC ARE (0) UNLESS OTHERWISE NOTED.
 5. ALSO REFER TO MY COLLECTION IN THIS AREA

HERBERT



HERBERT

NEW PRESIDENT HERBERT

Configuration	R 143 (10 k Ω)	R 145 (10 k Ω)	R 146 (100 Ω)
40 cx AM (4W) FM (4W)	0	0	0
40 cx AM (1 W) FM (4W)	0	0	X
40 cx FM (4W)	0	X	X
240 cx AM (4W) FM (4W)	X	0	0
240 cx AM (4W) FM (4W) terminations 0	X	0	X

X = raffle off

0 = mount

Band range = 25.615 <> 28.755 MHz

Red = functional

