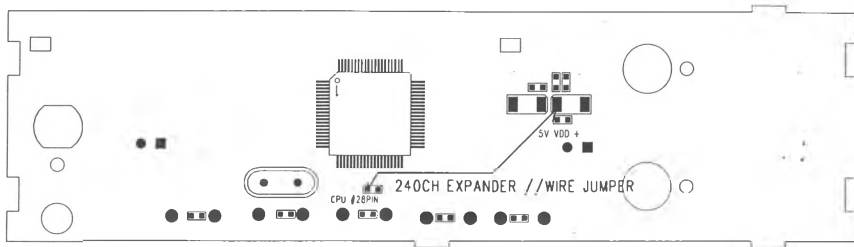


# KC-22M FRONT PCB 240CH EXPANDER



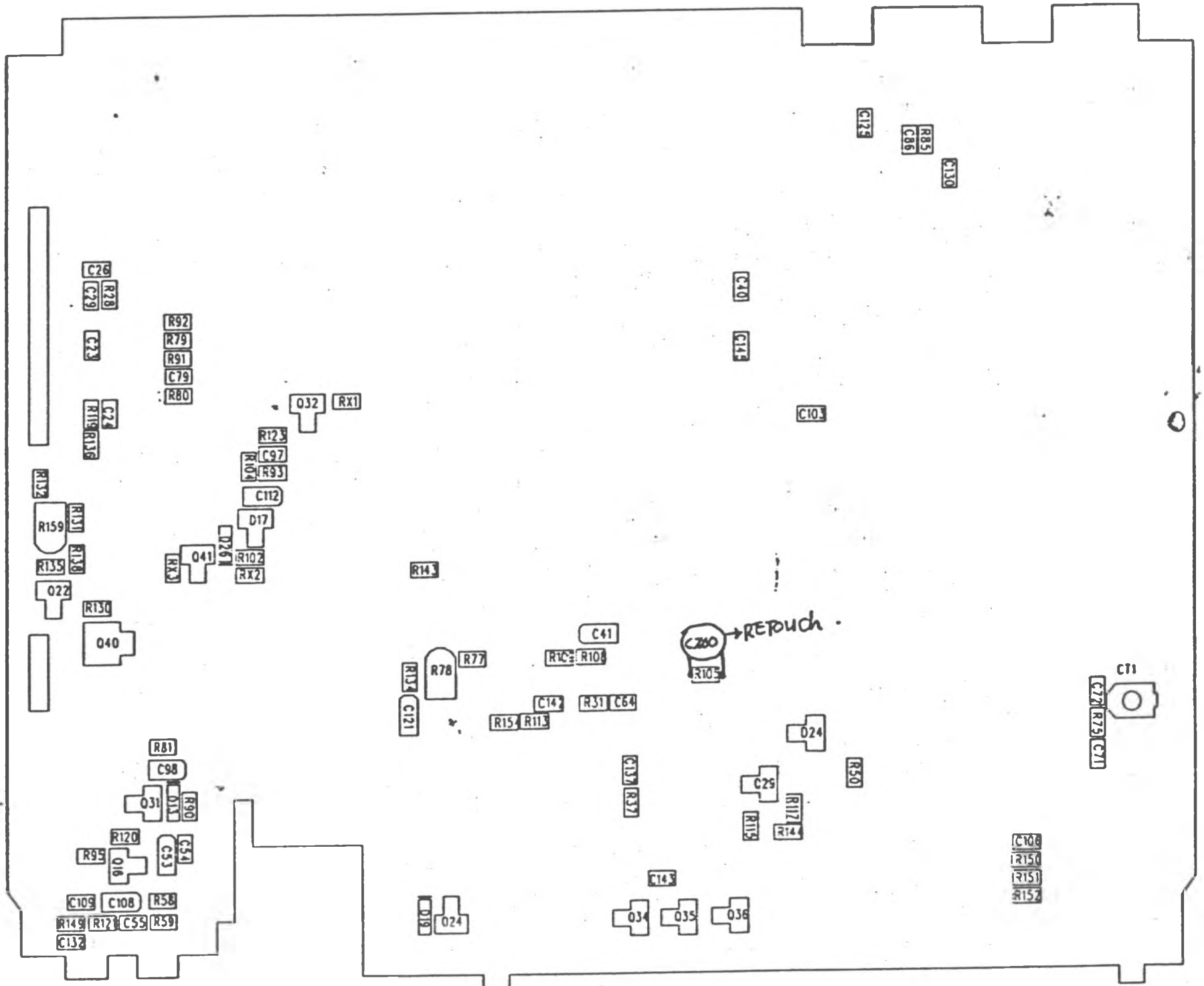
## \*\*CHANNEL EXPANDER

- 1) SW OFF
- 2) AM/FM, SCAN SW PUSH ----AF VR SW ON
- 3) BAND A-B-C-D-E-F 240CH EXPANDER
- 5) CH9 SW PUSH A-B-C-D-E-F 240CH
- 6) D BAND STANDARD CB 40CHANNEL

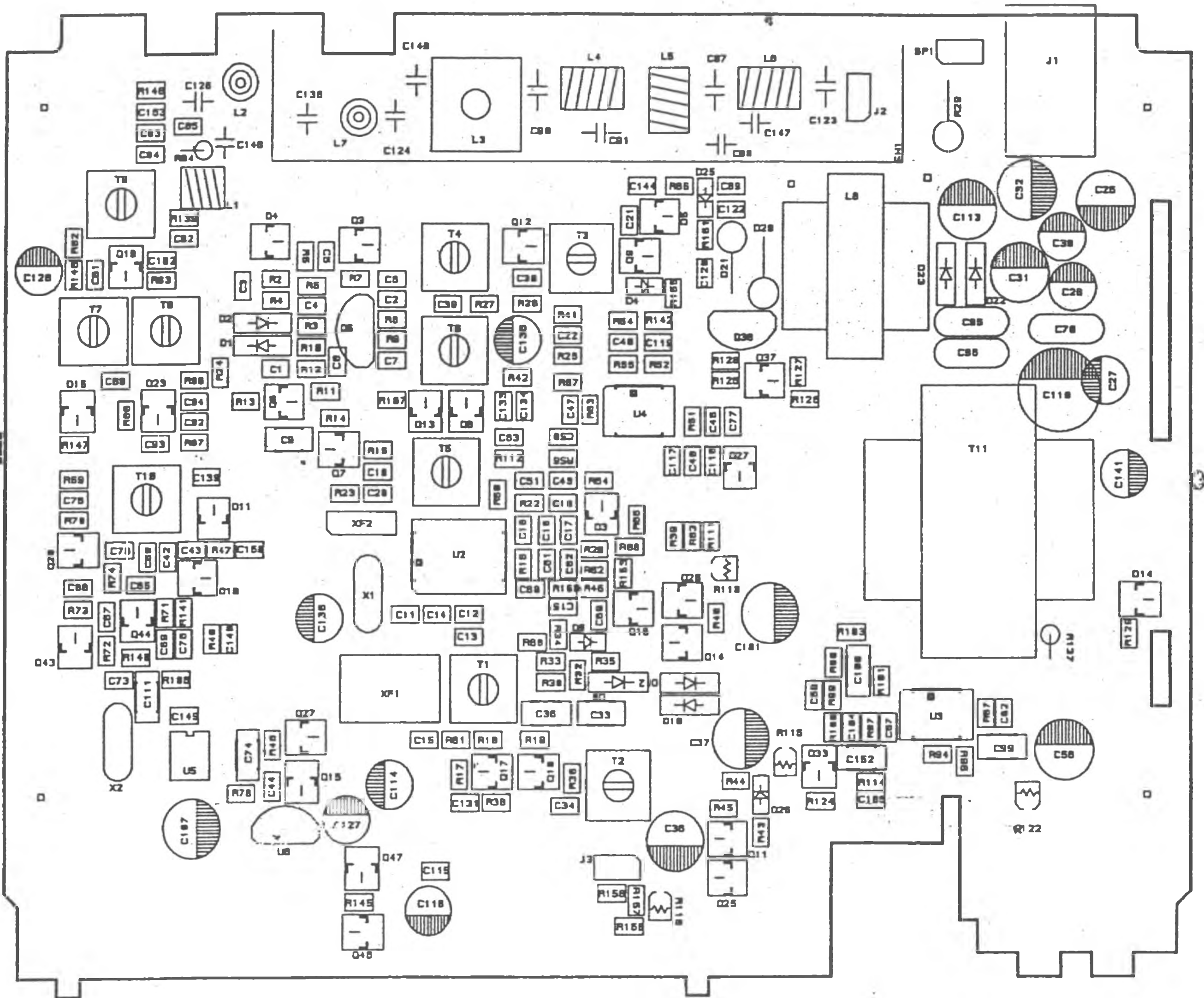
REMARK: AGEIN 2)--CB BAND 40CHANNEL

\*\*RESET : 1)SW OFF

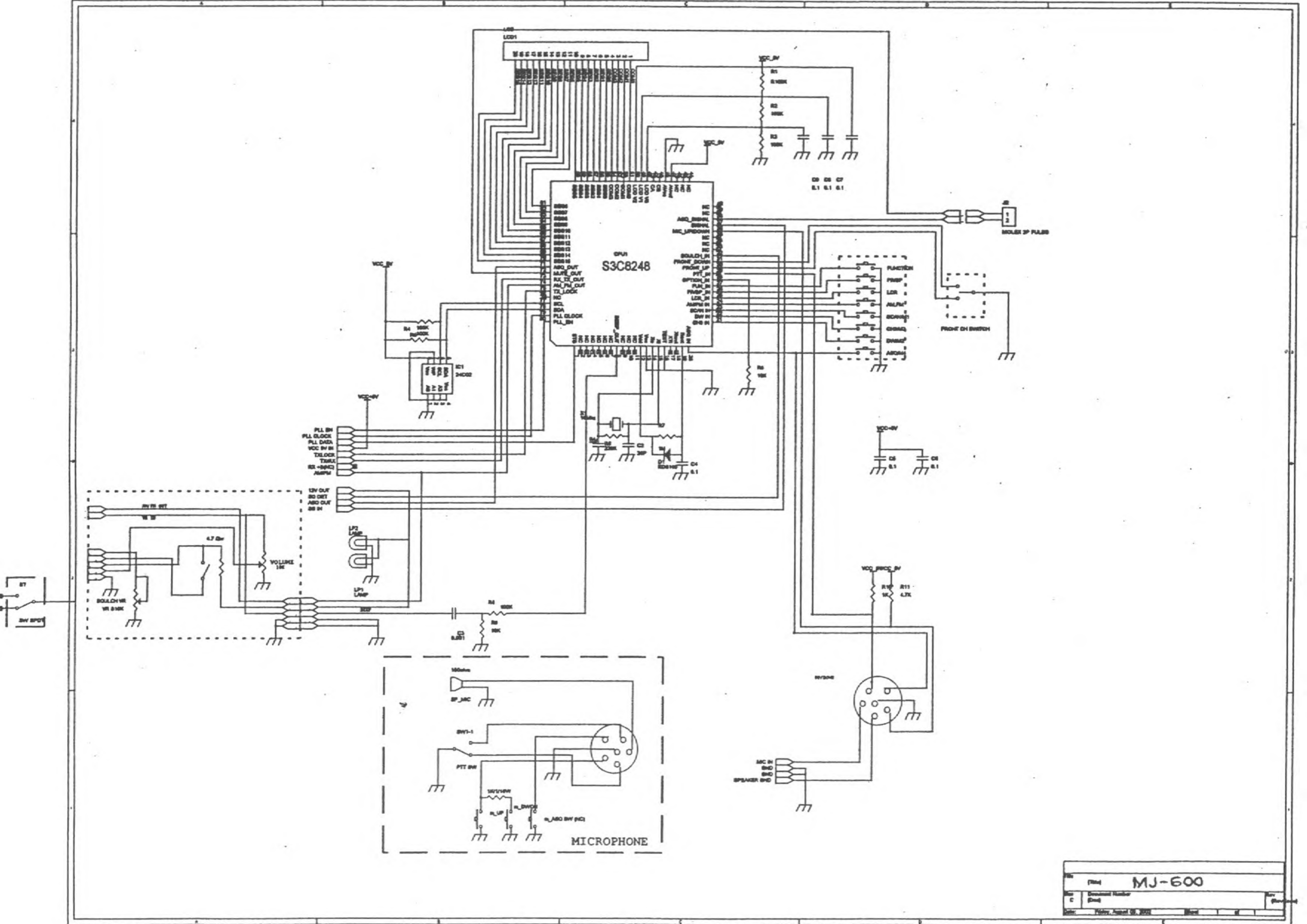
2)CH9 SW PUSH- VRSW ON- CB BAND 20CH DISPLAY



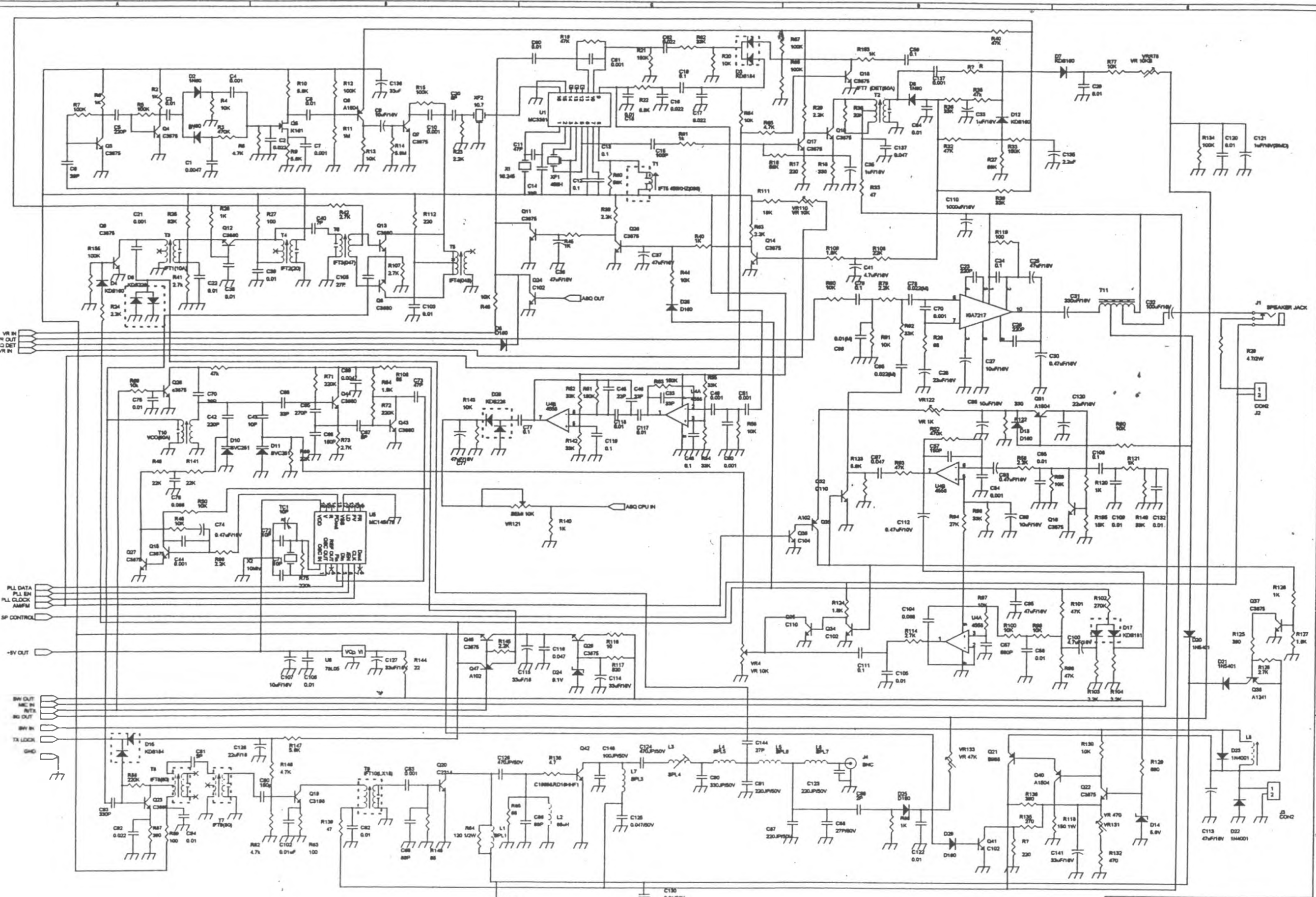
MAIN PCB BOTTOM



MJ-600  
 TOP PARTS NO



Mega Jet 600 1/8



File	MJ-600
Rev	A2
Doc	Doc
Date	Tuesday, March 11, 2003
Sheet	1 of 1