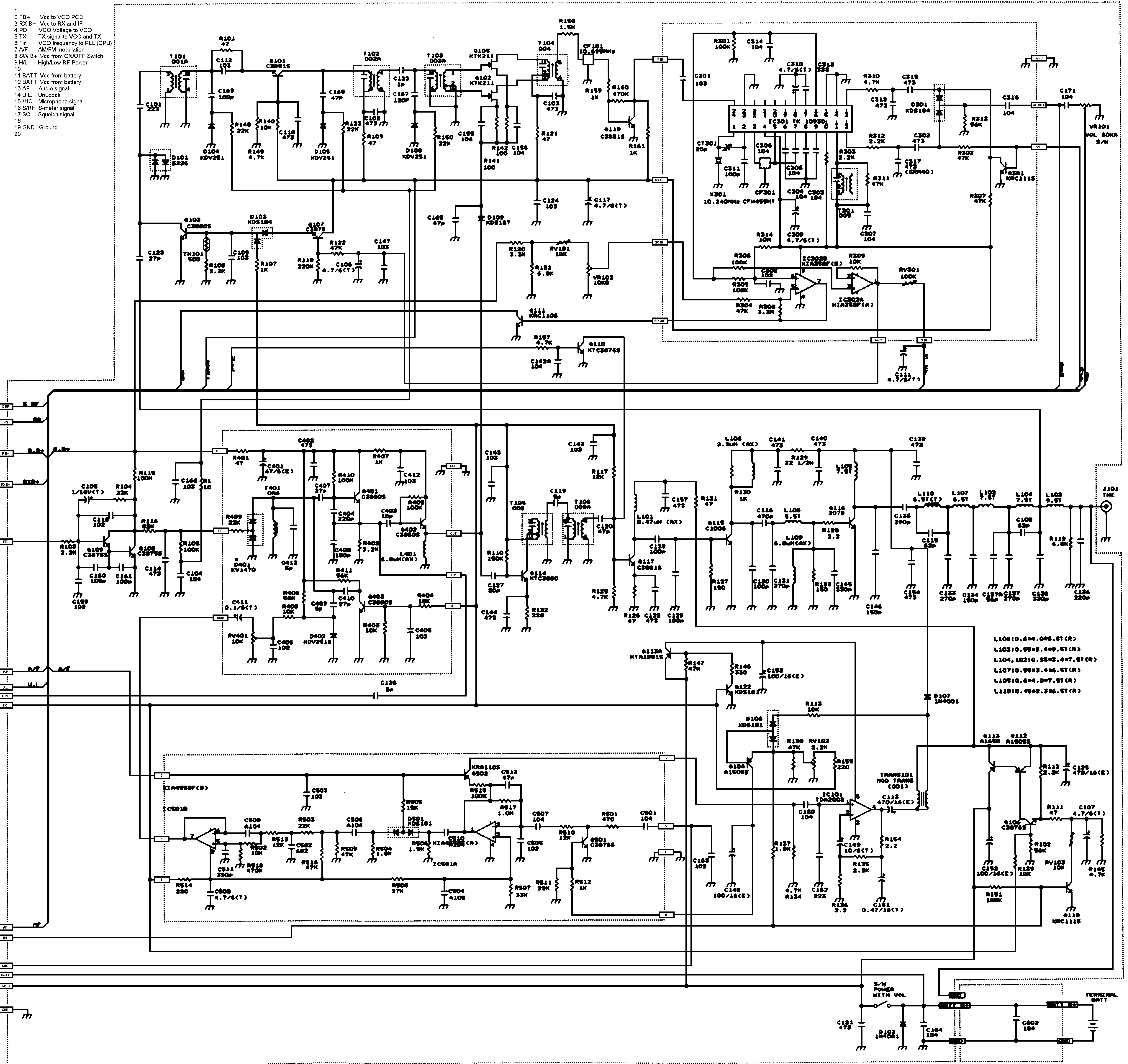


- 1 FB+ Vcc to VCO PCB
- 2 RX B+ Vcc to RX and IF
- 3 PD VCO Voltage to VCO
- 4 TX TX signal to VCO and TX
- 5 Fin VCO frequency to PLL (CPU)
- 6 AF AM/FM modulation
- 7 SW B+ Vcc from ON/OFF Switch
- 8 H/L High/Low RF Power
- 9 BATT Vcc from battery
- 10 BATT Vcc from battery
- 11 AF Audio signal
- 12 U.L. UnLock
- 13 MIC Microphone signal
- 14 S/R S-meter signal
- 15 SQ Squelch signal
- 16 GND Ground
- 17 GND Ground
- 18 GND Ground
- 19 GND Ground
- 20 GND Ground



- L106: 10.6mH ± 0.05% ST (R)
- L107: 10.95mH ± 0.4% ST (R)
- L108: 10.95mH ± 0.4% ST (R)
- L109: 10.6mH ± 0.07% ST (R)
- L110: 10.45mH ± 2.3% ST (R)

