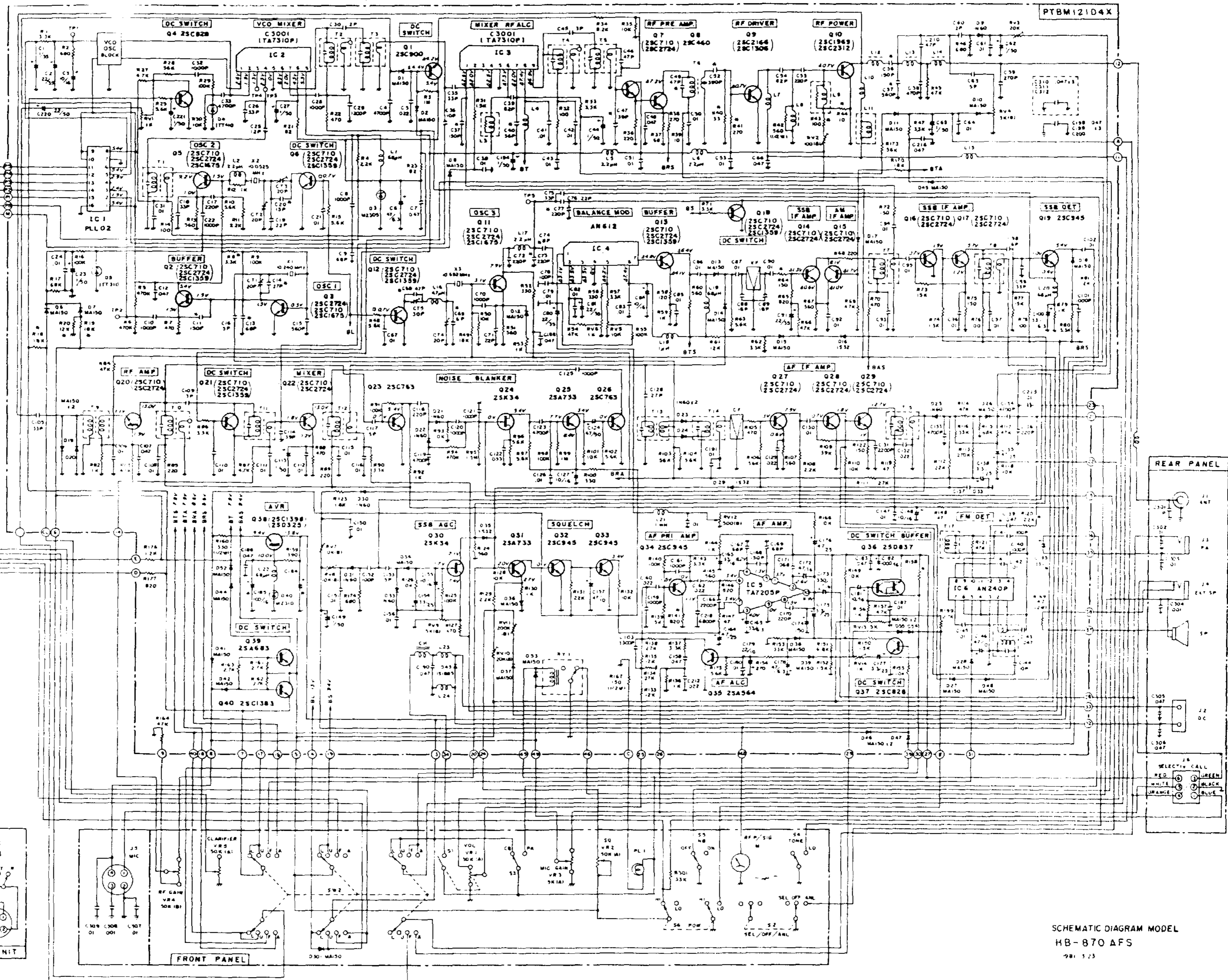
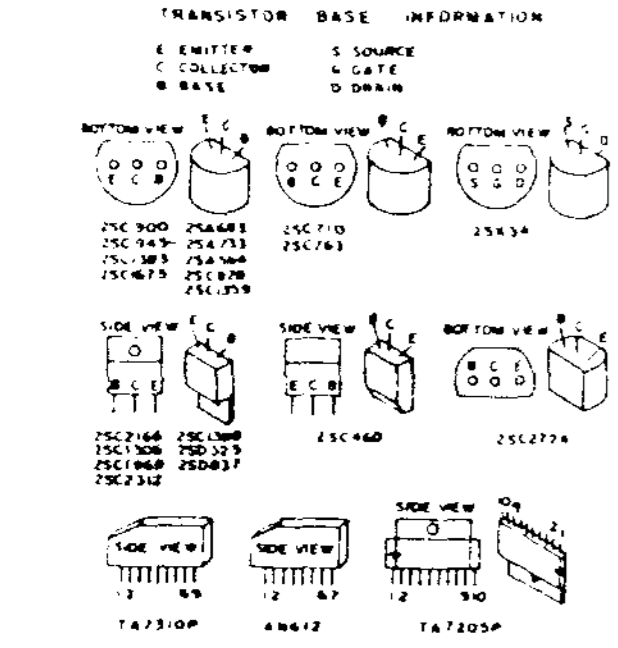
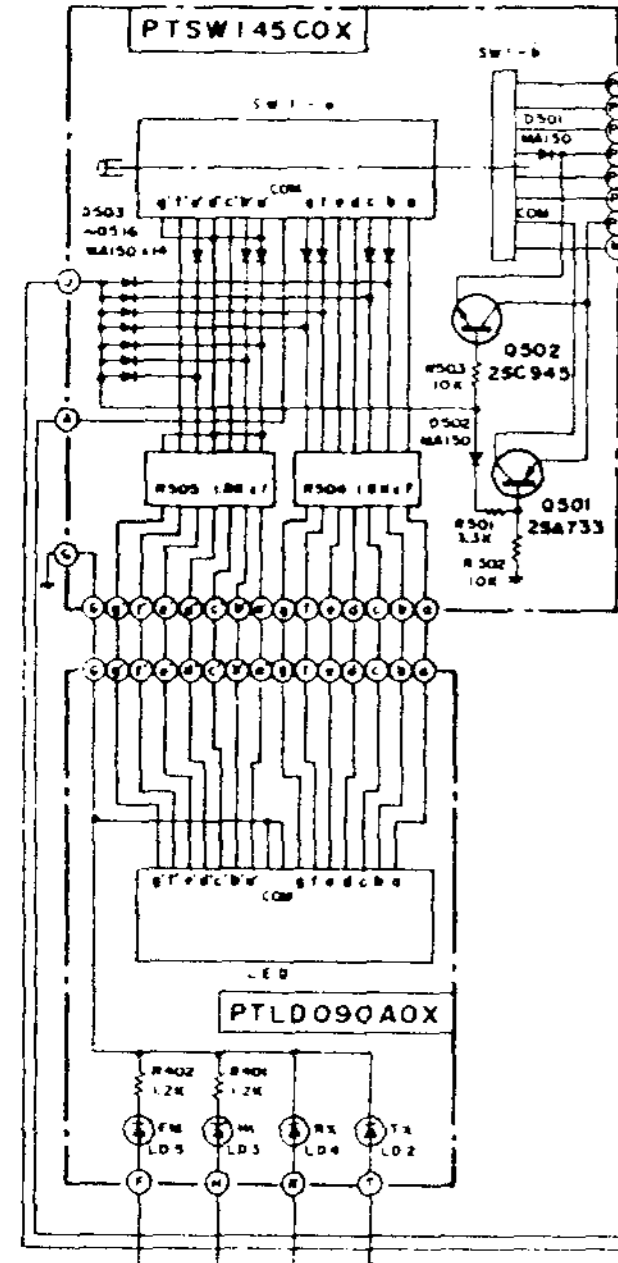


ALL VOLTAGES MEASURED FROM PC BOARD GROUND WITH DC VTVM AT NO SIGNAL (AT 15 MV POWER SUPPLY). IF MEASUREMENT VALUES OBTAINED ARE IN EXCESS OF 120% OF VALUES SHOWN THEN REASON FOR DIFFERENCE SHOULD BE CORRECTED.

⊕ CHASSIS GND  
 ⊕ PC BOARD GND  
 ⊕ ADJUSTED (TYPICAL VALUE SHOWN)



SCHEMATIC DIAGRAM MODEL  
 HB-870 AFS  
 981 525