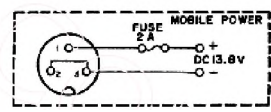
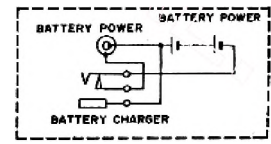
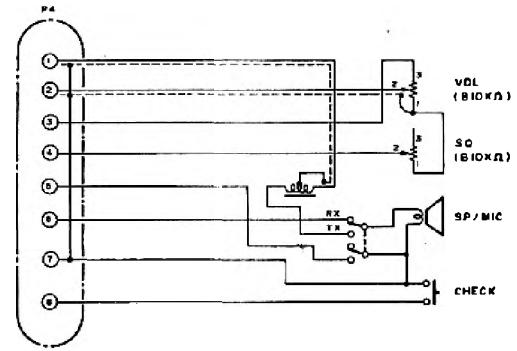


Q1~6, 24~27	2SC930E	D2, 3, 30, 40, 41	1S185B
Q7~11, 19, 20	2SC536(E)(F)	D6, 10~12	1S188
Q12, 16	2SD400(E)	D7	U28.2 (6ZA 8.2)
Q13, 14, 18, 20	2SC2274	D9, 19	U22.7 (6ZA 2.7)
Q15	2SB544	C18	0S135E
Q17	2SA808	D26, 29, 32	MC301
Q21	2SC2314	33, 42, 43	
Q22	2SC2078	D21, 22, 23	LED
Q23	2SD525	D Others	1S158B
Q30, 31, 33, 35	2SK107	D58	LED Display
Q32, 34	29K190R	D38	1S248E

Unit is μ F and ohm
 No. 1~12 To Selective call
 and Roger Beep Unit.
 J1, 2 To DC Power Source
 J3 EXT. SP
 J4 To Microphone

Ⓢ: Adjustable in Factory.



SCHEMATIC DIAGRAM
MODEL SELECT
TRANSCEIVER AM-FM 160 CHANNEL