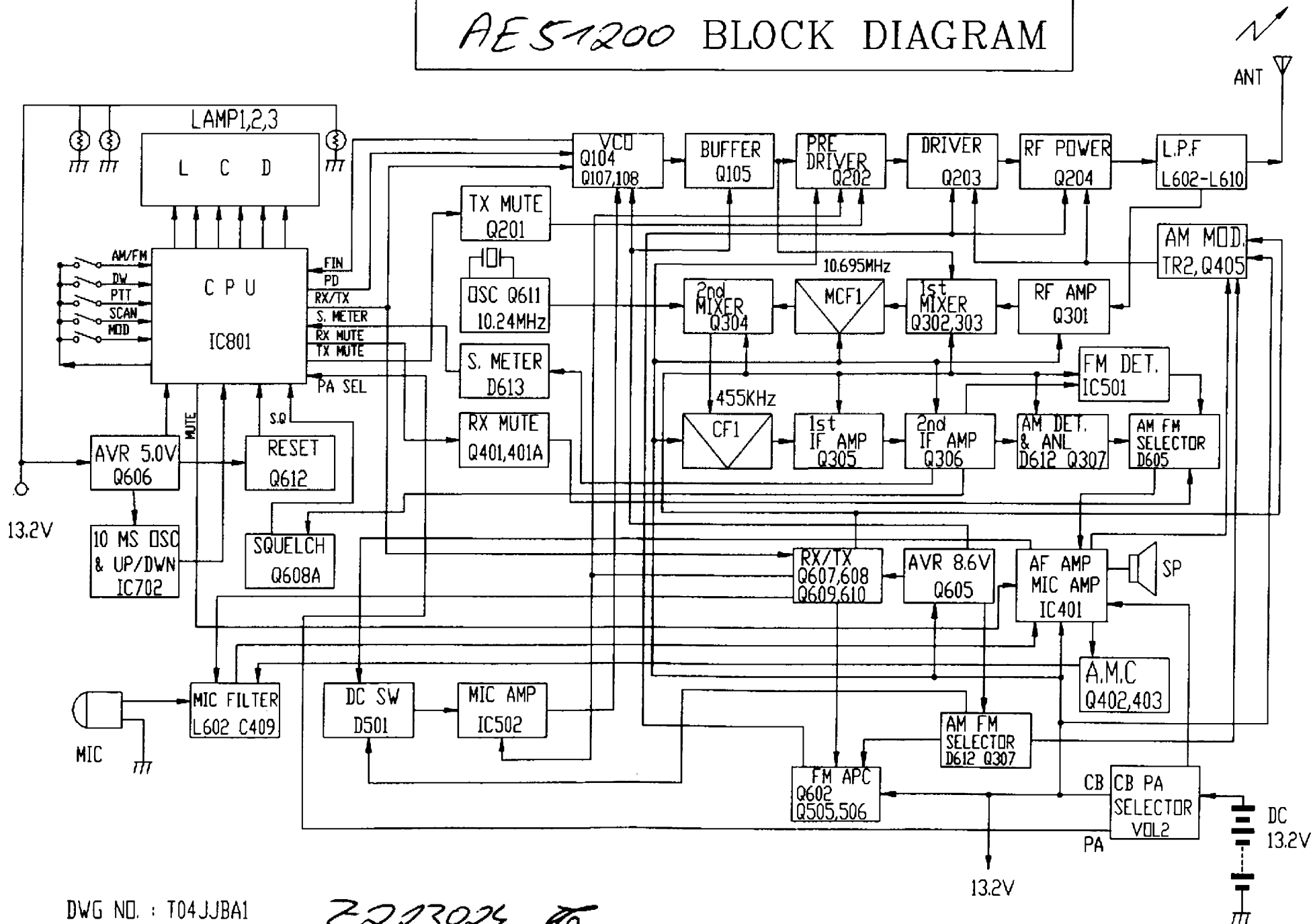
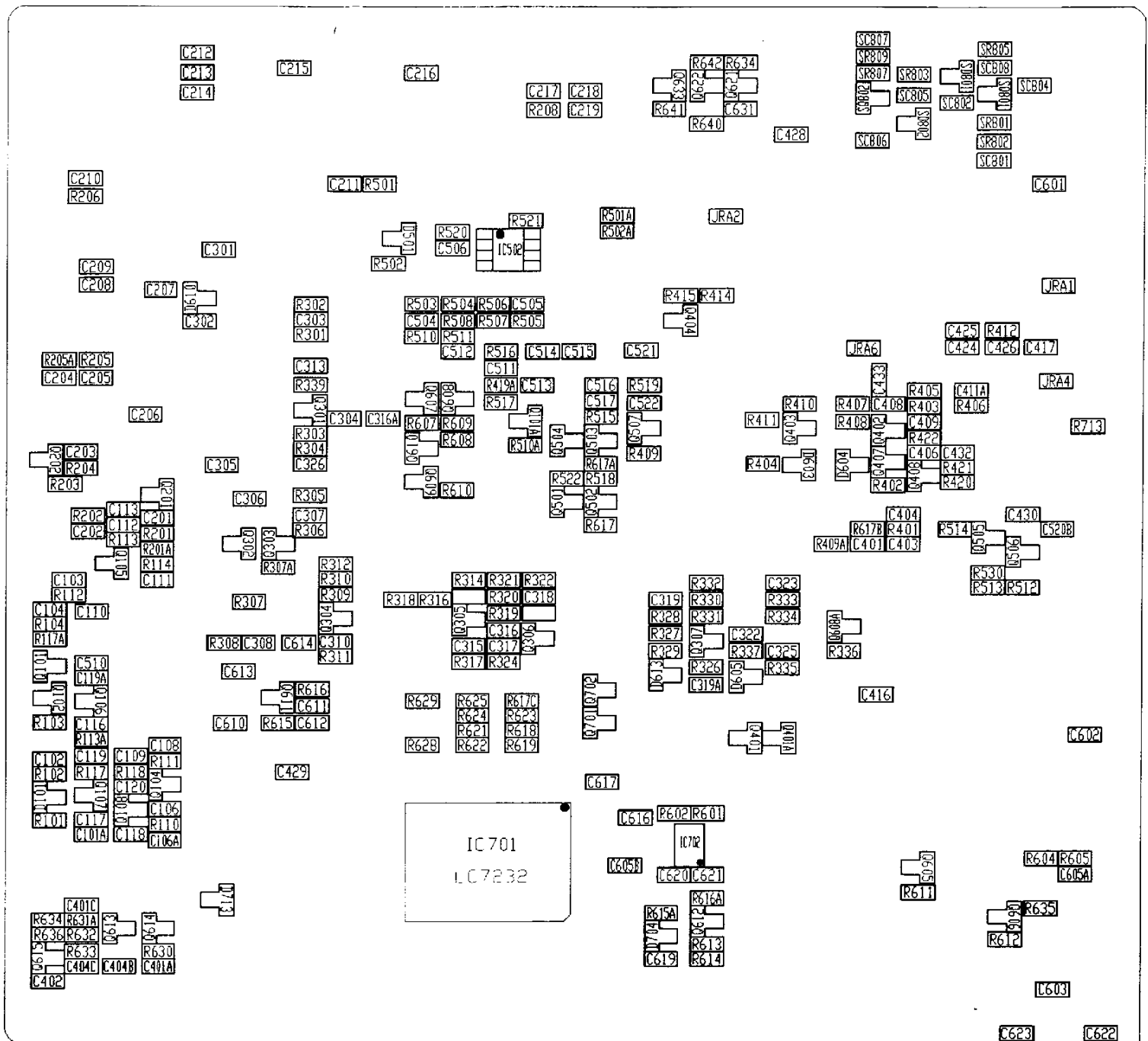


AES-1200 BLOCK DIAGRAM



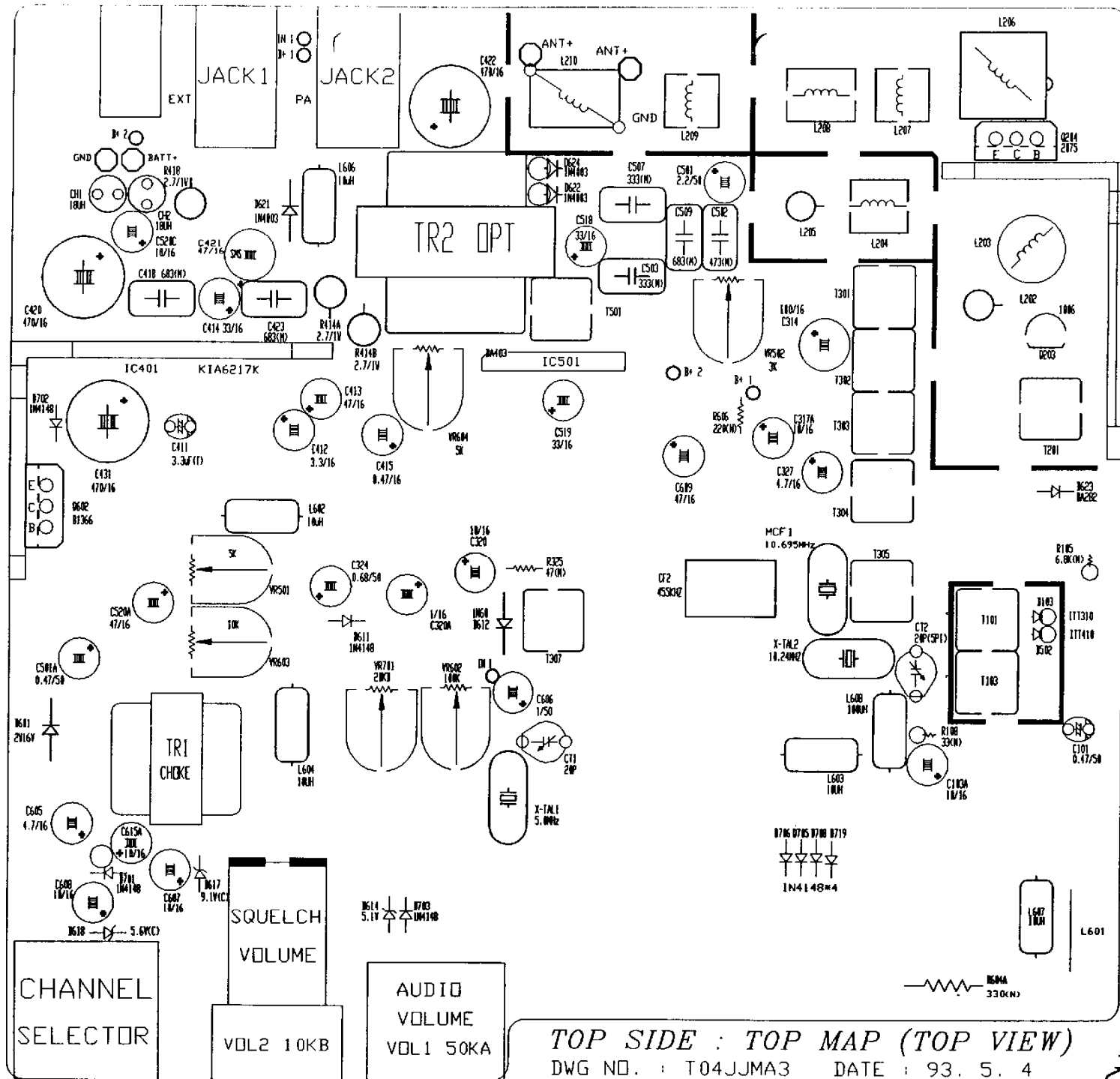
DWG NO. : T04JJBA1

2223024



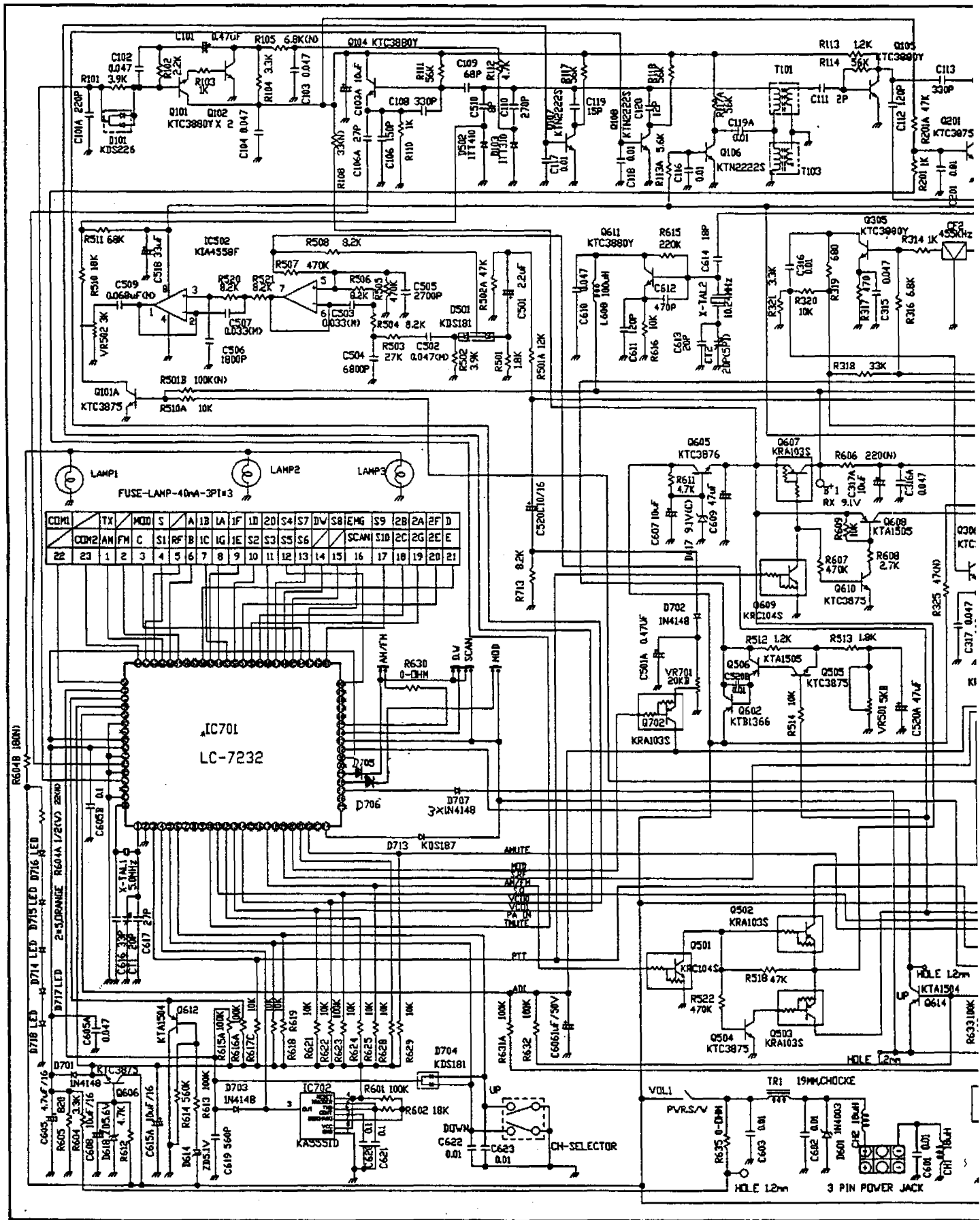
BOTTOM SIDE , BOTTOM SCREEN (BOTTOM VIEW)
 AE51200 DWG NO. : T04AAMA2

C407
 R338



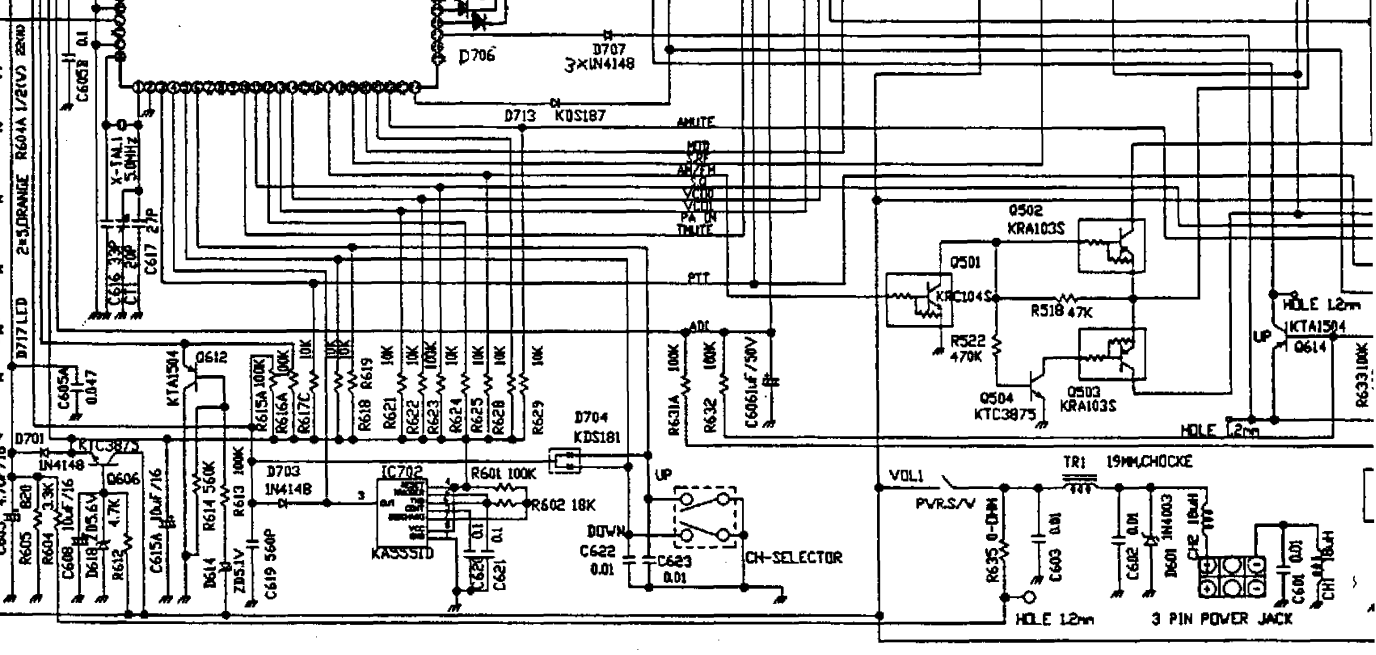
TOP SIDE : TOP MAP (TOP VIEW)
 DWG NO. : T04JJMA3 DATE : 93. 5. 4

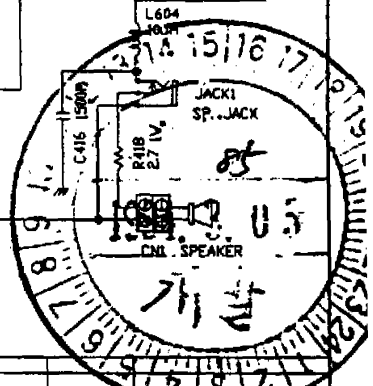
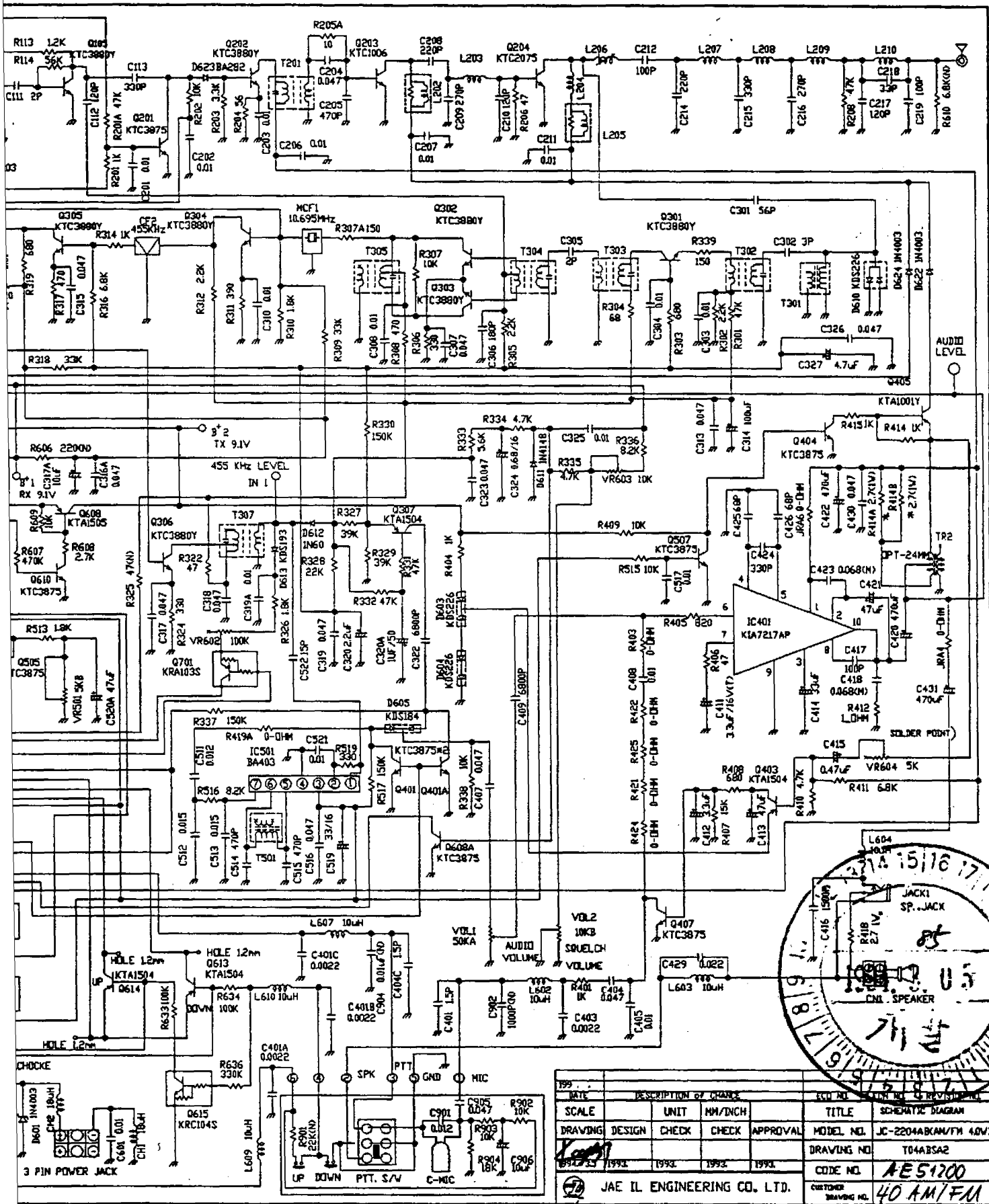
AES1200
 2323024



CDH1	TX	MOD	S	A	B	A	1F	1D	2D	S4	S7	DV	S8	ENG	S9	2B	2A	2F	D			
CDH2	AM	FM	C	S1	RF	1C	1G	1E	S2	S3	S5	S6	SCAN	S10	2C	2G	2E	E				
22	23	1	2	3	4	5	6	7	8	9	10	11	12	13	14	15	16	17	18	19	20	21

IC701
LC-7232





DATE	DESCRIPTION OF CHANGE	REV. NO.	BY	REVISION
SCALE	UNIT	MM/INCH	TITLE	SCHEMATIC DIAGRAM
DRAWING DESIGN	CHECK	CHECK	APPROVAL	MODEL NO. JC-2204BKAM/PM 4.0V
1992	1993	1994	1995	1996
DRAWING NO. TD44BSA2				CODE NO. A51200
CUSTOMER DRAWING NO. 40 AM/FM				

JAE IL ENGINEERING CO., LTD.