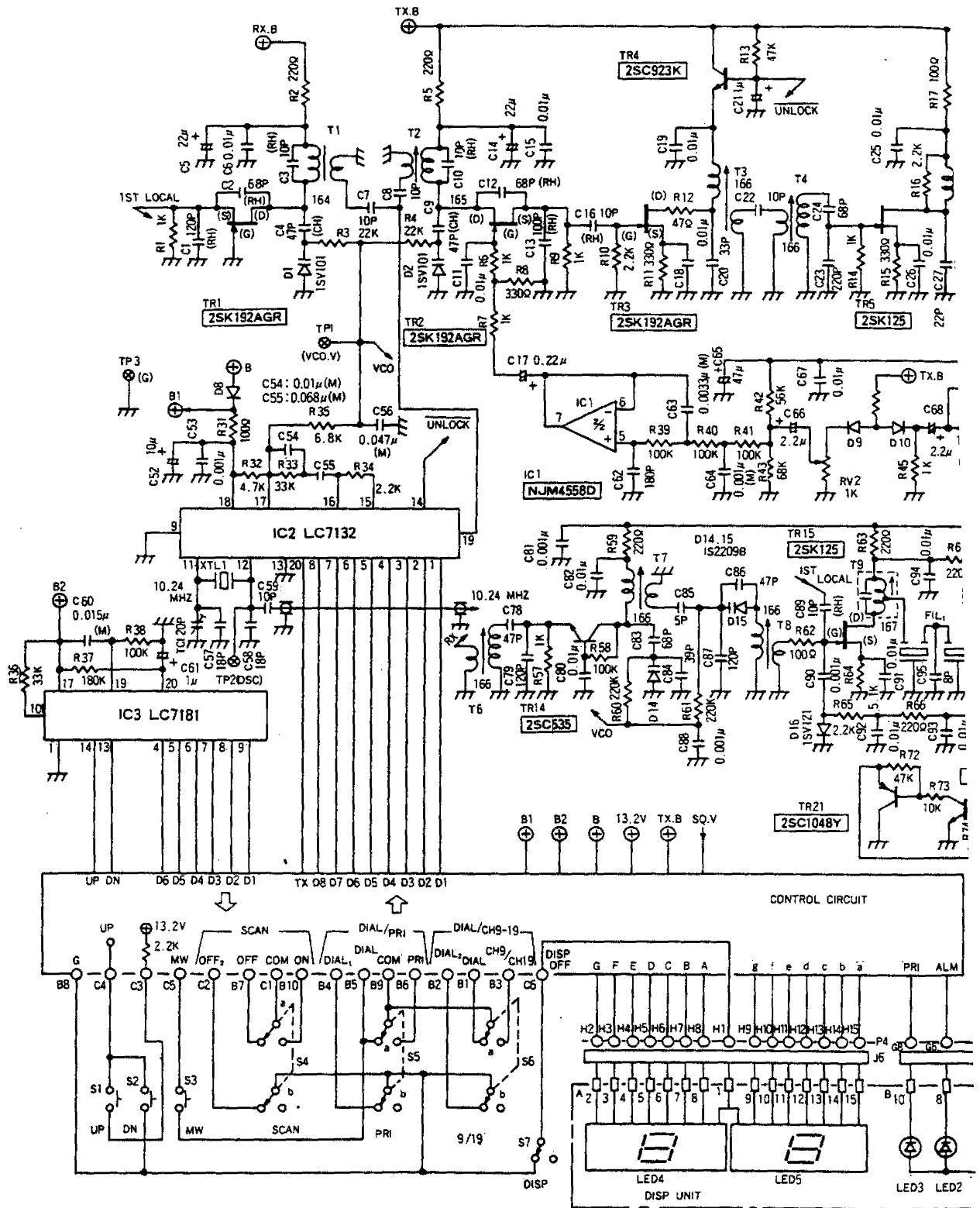
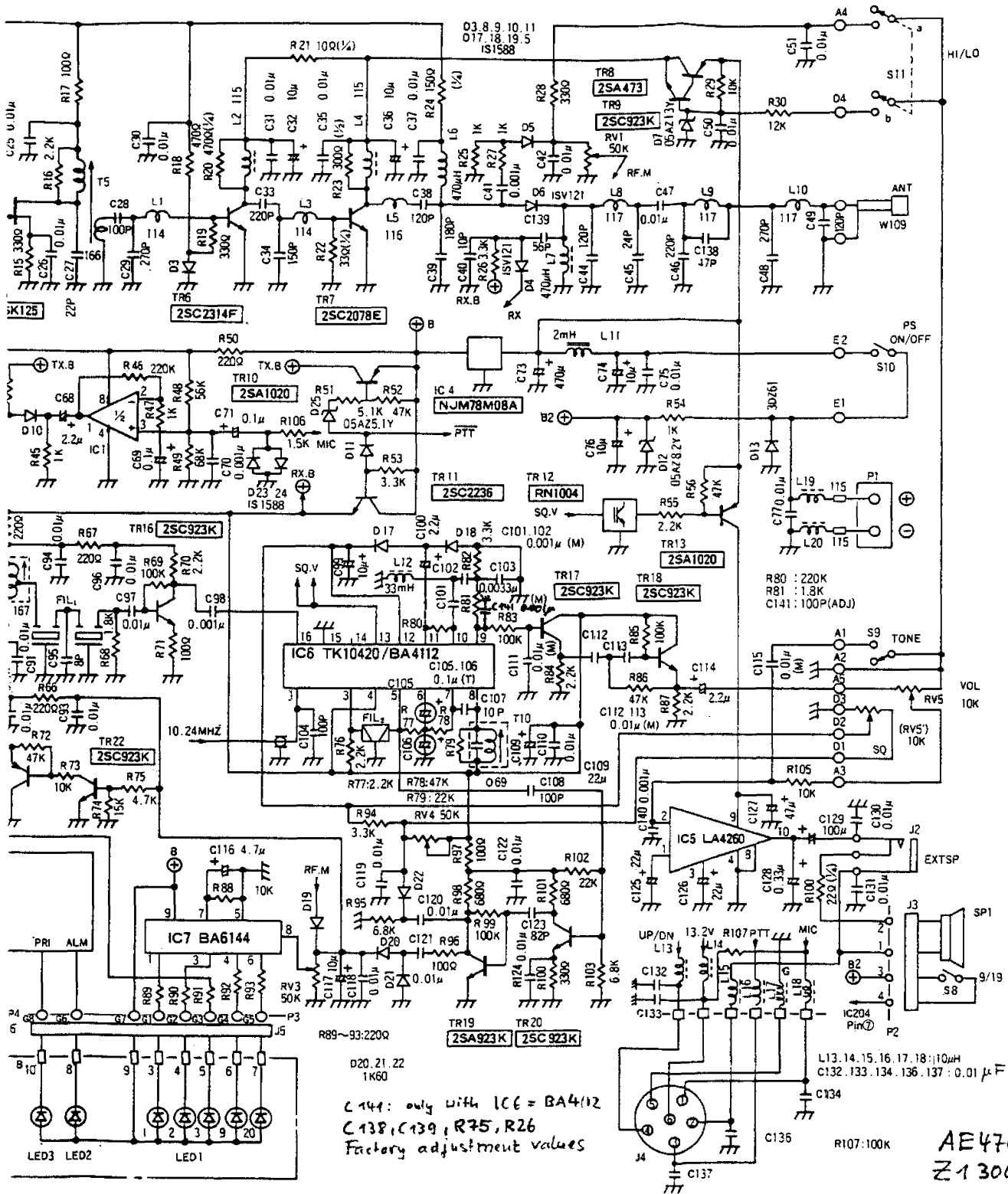


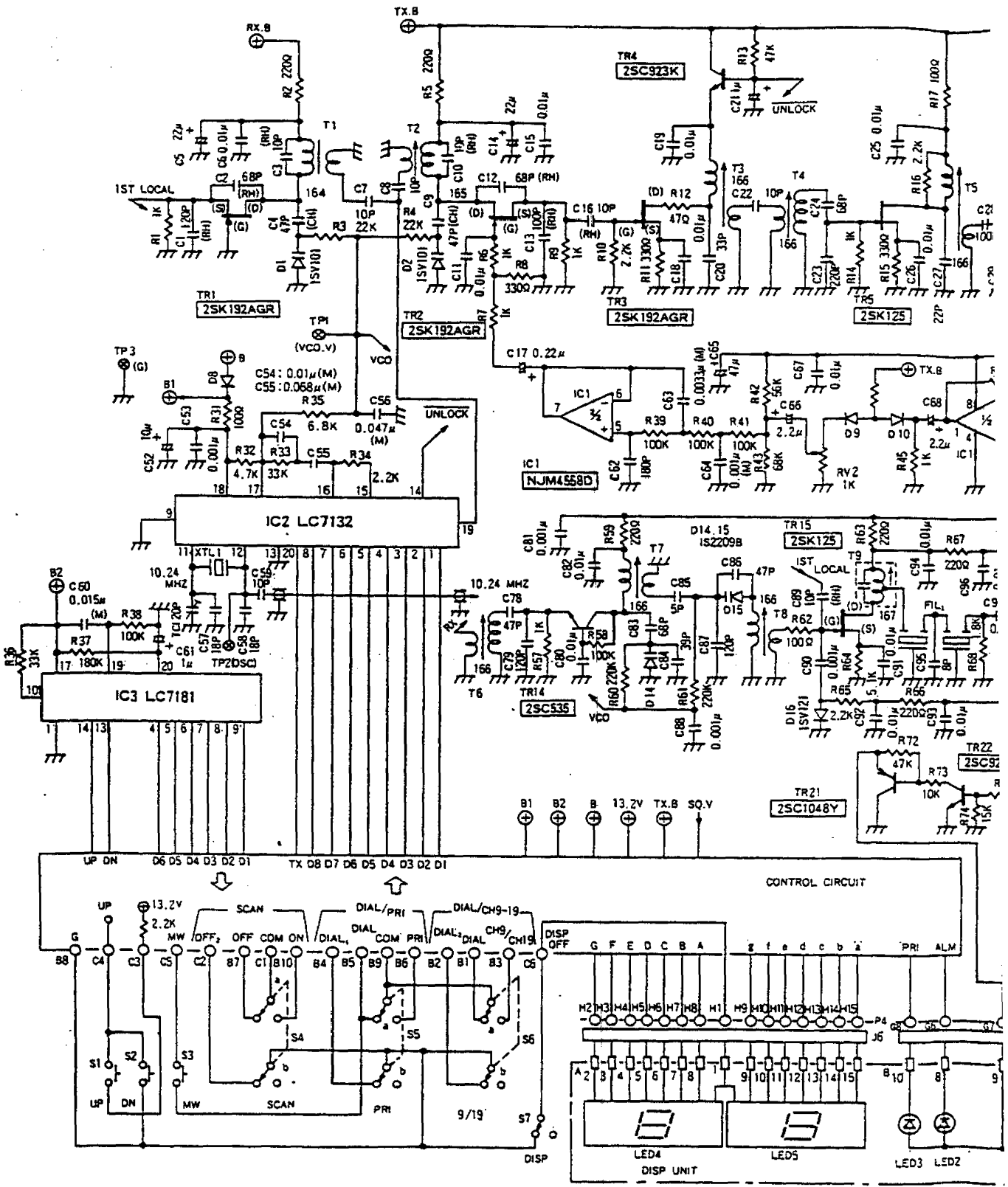
SCHEMATIC



MATIC DIAGRAM

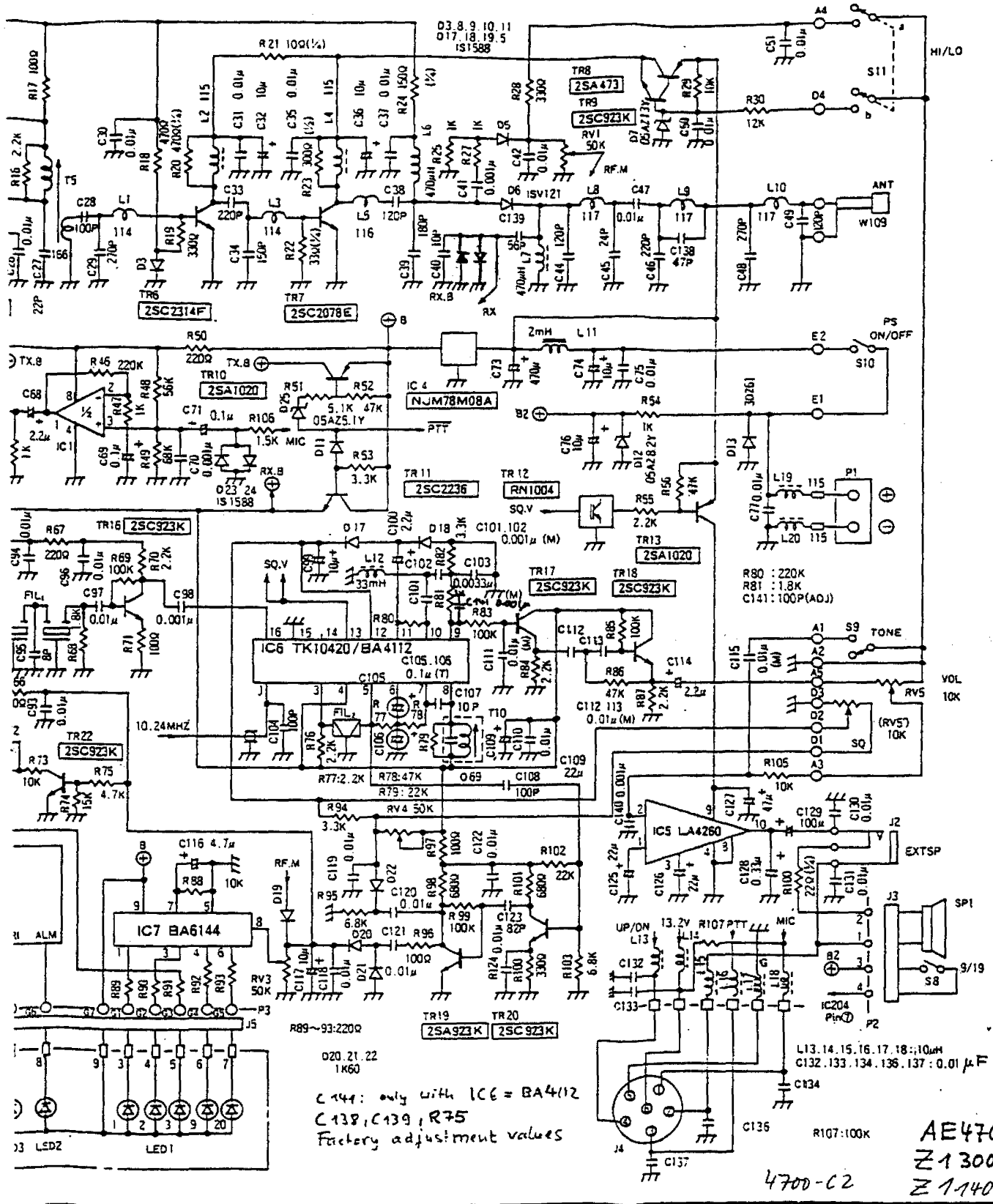


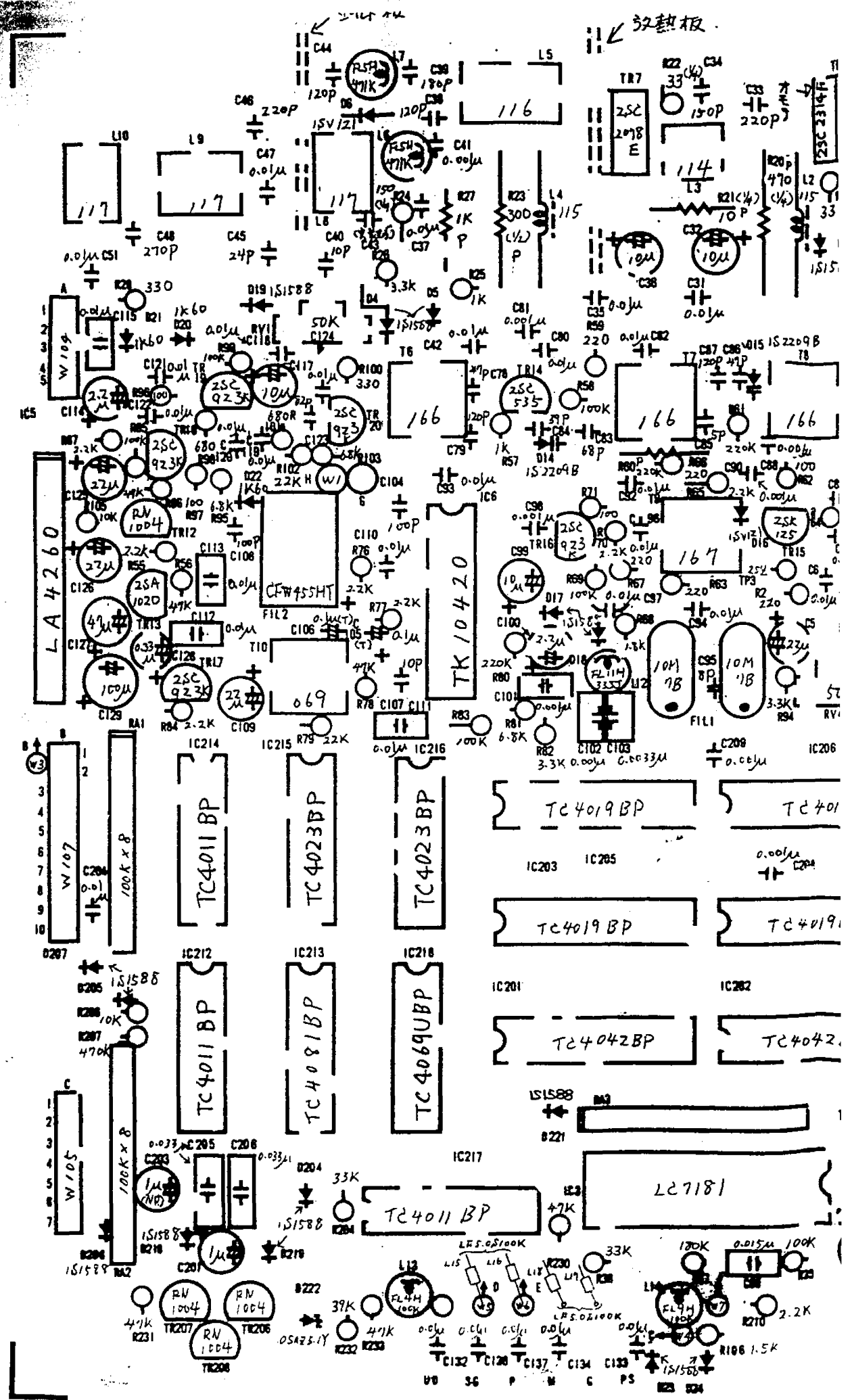
SCHEMATIC D



4700-C1

ATIC DIAGRAM





22热板

2-14 74

LA4260

TK10420

TC4011 BP

TC4023BP

TC4023BP

TC4019 BP

TC4019

TC4019 BP

TC4019

TC4011 BP

TC4081BP

TC4069UBP

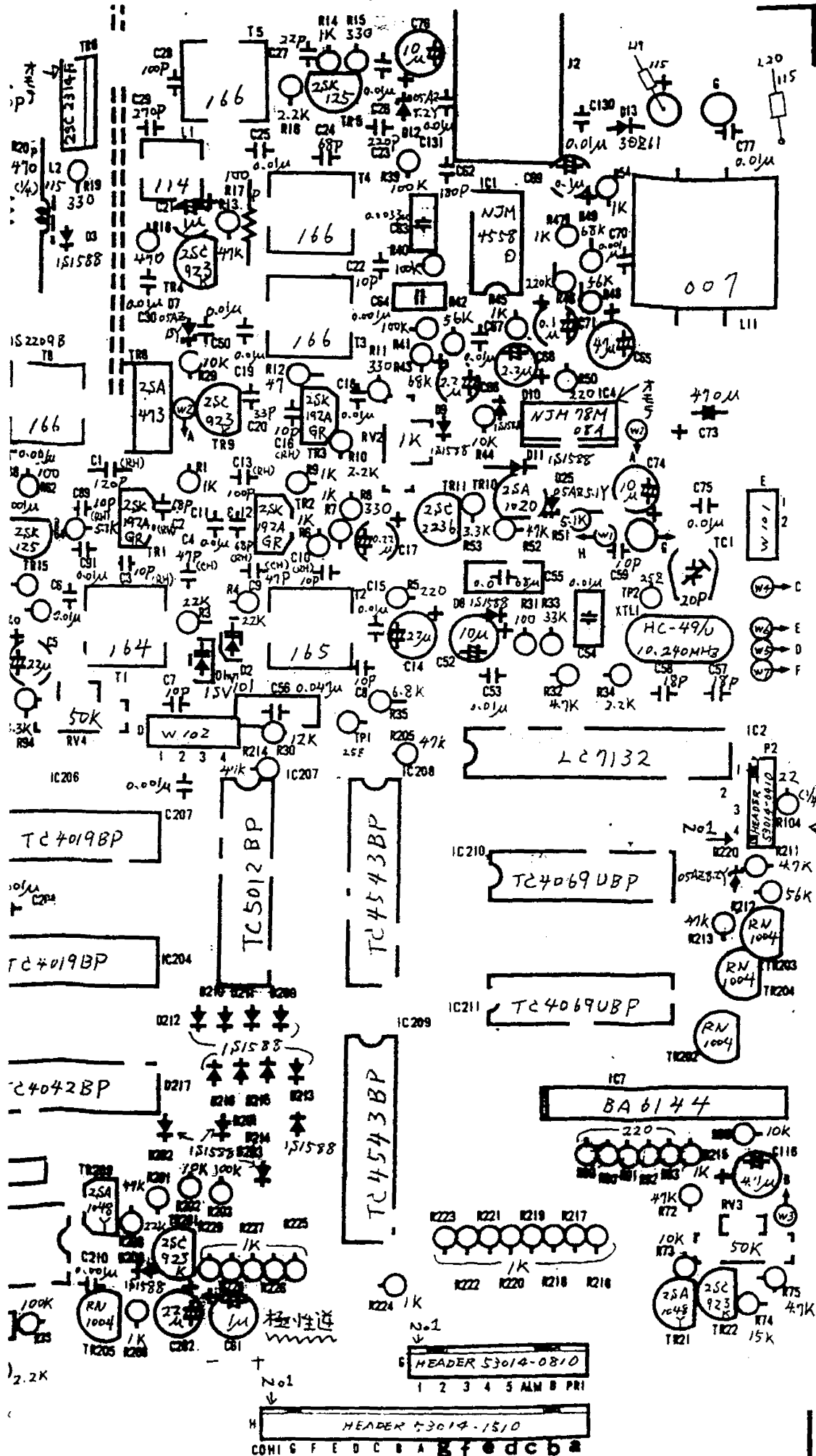
TC4042BP

TC4042

TC4011 BP

LC7181

U0 S6 P M C PS B23 B24



500225C
 TRX #11
 AE-4700