

CP/PL PB-500

KEY BU PB-1400

MODIF SW PB-1300

LCD PB-700

K702

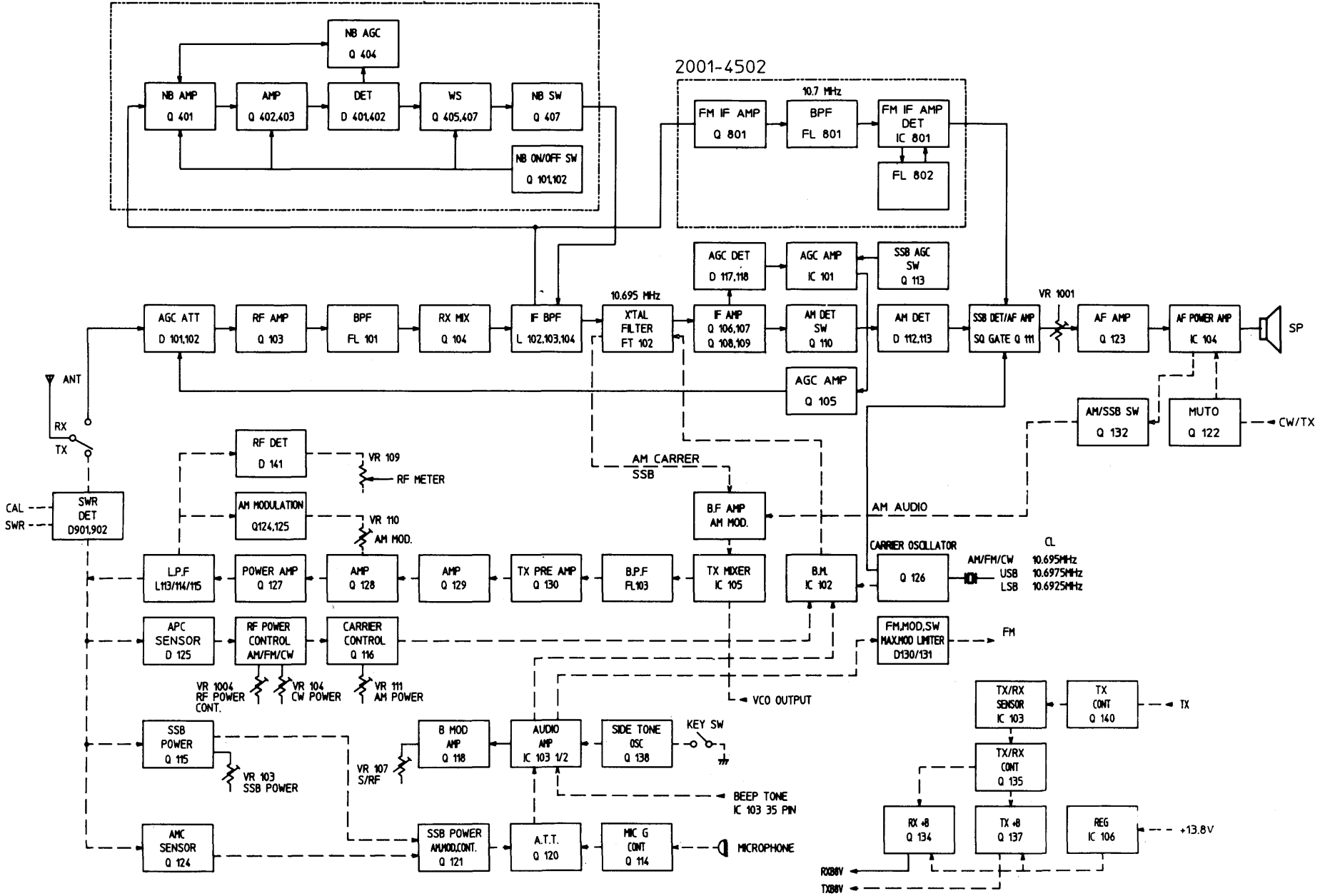
LIQUID CRYSTAL DISPLAY

K504

D502-0512 HSK120

2001-4501

2001-4502



--- TX
 — RX

MAIN PCB BLOCK DIAGRAM

