

### PACKAGE OUTLINE

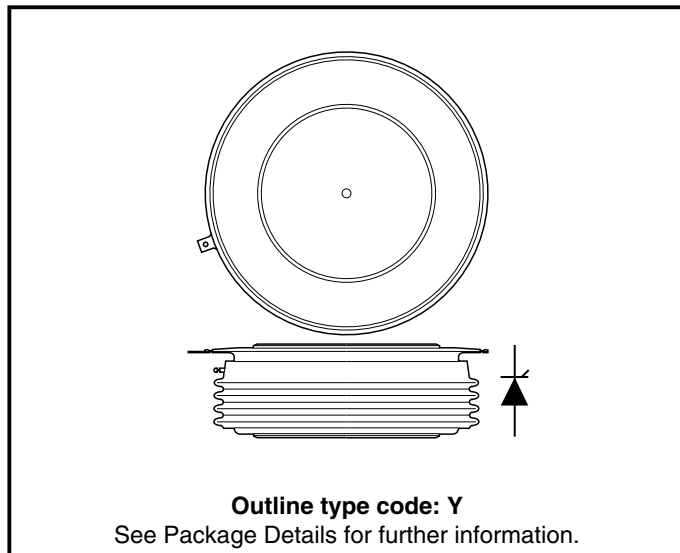


Fig. 1 Package outline

### KEY PARAMETERS

$V_{DRM}$	<b>1200V</b>
$I_{T(AV)}$	<b>4135A</b>
$I_{TSM}$	<b>64000A</b>
$dV/dt^*$	<b>1000V/<math>\mu</math>s</b>
$dI/dt$	<b>500A/<math>\mu</math>s</b>

\*Higher dV/dt selections available

### VOLTAGE RATINGS

Part Number	Repetitive Peak Voltages	Conditions
	$V_{DRM}$ $V_{RRM}$	
	V	
DCR1473SY12	1200	$T_{vj} = 0^\circ$ to $125^\circ\text{C}$ . $I_{DRM} = I_{RRM} = 250\text{mA}$ . $V_{DRM}, V_{RRM} = 10\text{ms } 1/2$ sine. $V_{DSM} \& V_{RSM} = V_{DRM} \& V_{RRM} + 100\text{V}$ respectively.

Lower voltage grades available.

### ORDERING INFORMATION

When ordering, select the required part number shown in the Voltage Ratings selection table.

If a lower voltage grade is required, then use  $V_{DRM}/100$  for the grade required e.g.:

**DCR1473SY08** for an 800V variant etc.

Note: Please use the complete part number when ordering and quote this number in any future correspondence relating to your order.

**CURRENT RATING** $T_{case} = 60^{\circ}\text{C}$  unless stated otherwise.

Symbol	Parameter	Conditions	Max.	Units
<b>Double Side Cooled</b>				
$I_{T(AV)}$	Mean on-state current	Half wave resistive load	4135	A
$I_{T(RMS)}$	RMS value	-	6495	A
$I_T$	Continuous (direct) on-state current	-	5700	A
<b>Single Side Cooled (Anode side)</b>				
$I_{T(AV)}$	Mean on-state current	Half wave resistive load	2605	A
$I_{T(RMS)}$	RMS value	-	4090	A
$I_T$	Continuous (direct) on-state current	-	3290	A

**CURRENT RATING** $T_{case} = 80^{\circ}\text{C}$  unless stated otherwise.

Symbol	Parameter	Conditions	Max.	Units
<b>Double Side Cooled</b>				
$I_{T(AV)}$	Mean on-state current	Half wave resistive load	3190	A
$I_{T(RMS)}$	RMS value	-	5010	A
$I_T$	Continuous (direct) on-state current	-	3950	A
<b>Single Side Cooled (Anode side)</b>				
$I_{T(AV)}$	Mean on-state current	Half wave resistive load	1966	A
$I_{T(RMS)}$	RMS value	-	3090	A
$I_T$	Continuous (direct) on-state current	-	2410	A

**SURGE RATINGS**

Symbol	Parameter	Conditions	Max.	Units
$I_{TSM}$	Surge (non-repetitive) on-state current	10ms half sine; $T_{case} = 125^{\circ}C$ $V_R = 50\% V_{RRM} - 1/4$ sine	51.0	kA
$I^2t$	$I^2t$ for fusing		$13.1 \times 10^6$	A <sup>2</sup> s
$I_{TSM}$	Surge (non-repetitive) on-state current	10ms half sine; $T_{case} = 125^{\circ}C$ $V_R = 0$	64.0	kA
$I^2t$	$I^2t$ for fusing		$20.48 \times 10^6$	A <sup>2</sup> s

**THERMAL AND MECHANICAL DATA**

Symbol	Parameter	Conditions		Min.	Max.	Units
$R_{th(j-c)}$	Thermal resistance - junction to case	Double side cooled	dc	-	0.0095	$^{\circ}C/W$
		Single side cooled	Anode dc	-	0.019	$^{\circ}C/W$
			Cathode dc	-	-	$^{\circ}C/W$
$R_{th(c-h)}$	Thermal resistance - case to heatsink	Clamping force 43.0kN with mounting compound		-	0.002	$^{\circ}C/W$
		Double side	Single side	-	0.004	$^{\circ}C/W$
$T_{vj}$	Virtual junction temperature	On-state (conducting)		-	135	$^{\circ}C$
		Reverse (blocking)		-	125	$^{\circ}C$
$T_{stg}$	Storage temperature range			-55	125	$^{\circ}C$
-	Clamping force			38.0	47.0	kN

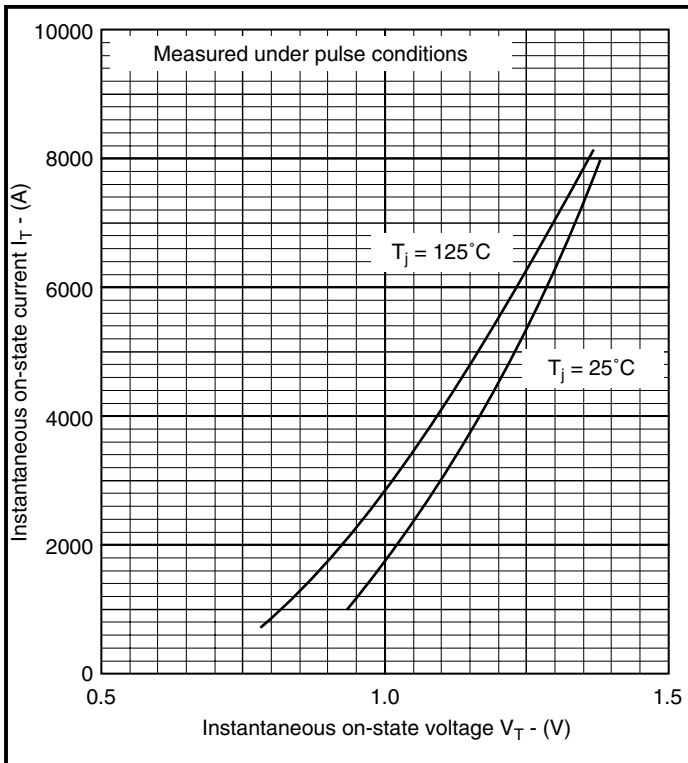
## DYNAMIC CHARACTERISTICS

Symbol	Parameter	Conditions	Max.	Units	
$I_{RRM}/I_{DRM}$	Peak reverse and off-state current	At $V_{RRM}/V_{DRM}, T_{case} = 125^{\circ}C$	250	mA	
dV/dt	Maximum linear rate of rise of off-state voltage	To 67% $V_{DRM}, T_j = 125^{\circ}C$ , gate open circuit	1000	V/ $\mu$ s	
di/dt	Rate of rise of on-state current	From 67% $V_{DRM}$ to 1000A Gate source 20V, 10 $\Omega$ $t_r = 0.5\mu$ s to 1A, $T_j = 125^{\circ}C$	Repetitive 50Hz	250	A/ $\mu$ s
			Non-repetitive	500	A/ $\mu$ s
$V_{T(TO)}$	Threshold voltage	At $T_{vj} = 125^{\circ}C$	0.824	V	
$r_T$	On-state slope resistance	At $T_{vj} = 125^{\circ}C$	0.066	m $\Omega$	
$t_{gd}$	Delay time	$V_D = 67\% V_{DRM}$ , Gate source 30V, 15 $\Omega$ $t_r = 0.5\mu$ s, $T_j = 25^{\circ}C$	2.0	$\mu$ s	

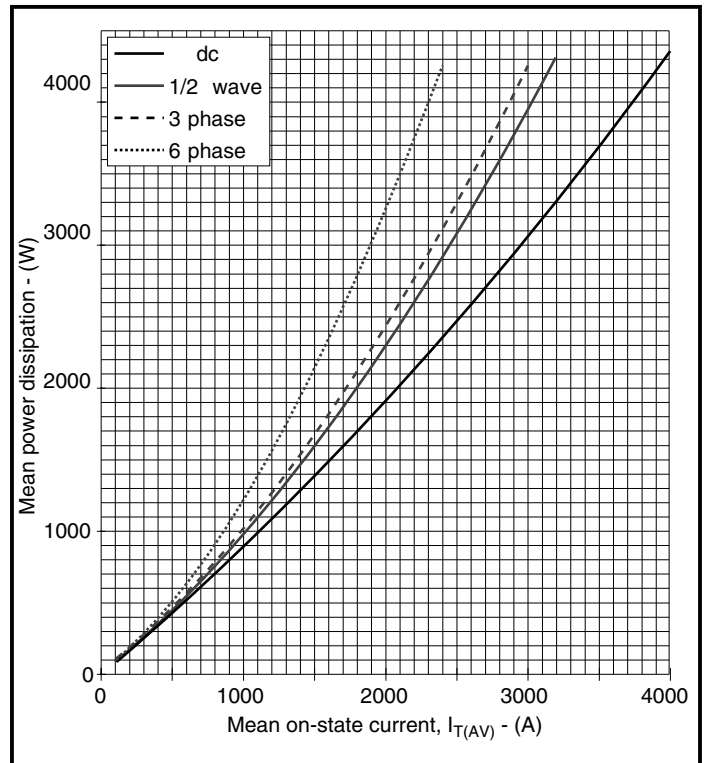
## GATE TRIGGER CHARACTERISTICS AND RATINGS

Symbol	Parameter	Conditions	Max.	Units
$V_{GT}$	Gate trigger voltage	$V_{DRM} = 5V, T_{case} = 25^{\circ}C$	4.0	V
$I_{GT}$	Gate trigger current	$V_{DRM} = 5V, T_{case} = 25^{\circ}C$	400	mA
$V_{GD}$	Gate non-trigger voltage	At $V_{DRM}, T_{case} = 125^{\circ}C$	0.25	V
$V_{FGM}$	Peak forward gate voltage	Anode positive with respect to cathode	30	V
$V_{FGN}$	Peak forward gate voltage	Anode negative with respect to cathode	0.25	V
$V_{RGM}$	Peak reverse gate voltage		5	V
$I_{FGM}$	Peak forward gate current	Anode positive with respect to cathode	30	A
$P_{G(PK)}$	Peak gate power	See Gate Characteristics curve/table	150	W
$P_{G(AV)}$	Mean gate power		10	W

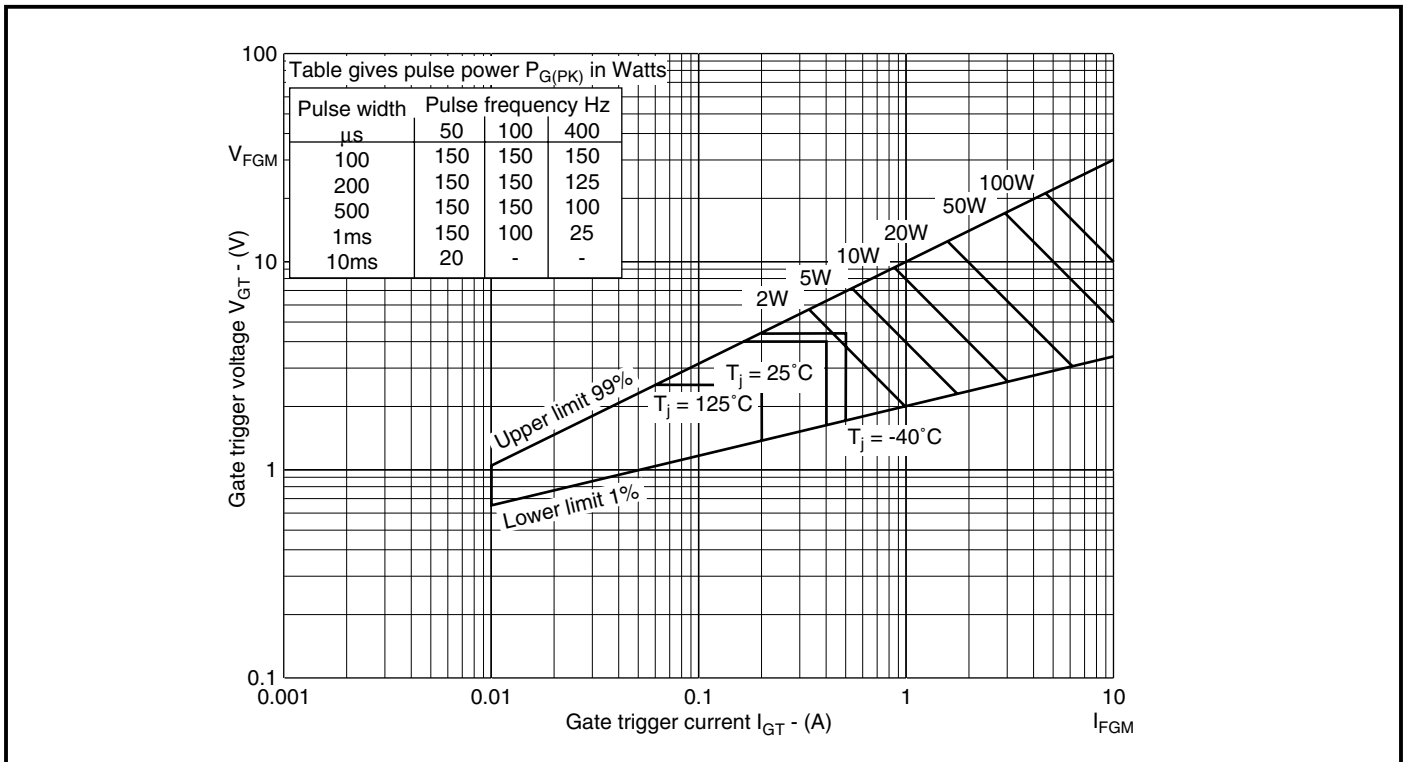
**CURVES**



**Fig. 2 Maximum (limit) on-state characteristics**



**Fig. 3 Power dissipation curves**



**Fig. 4 Gate characteristics**

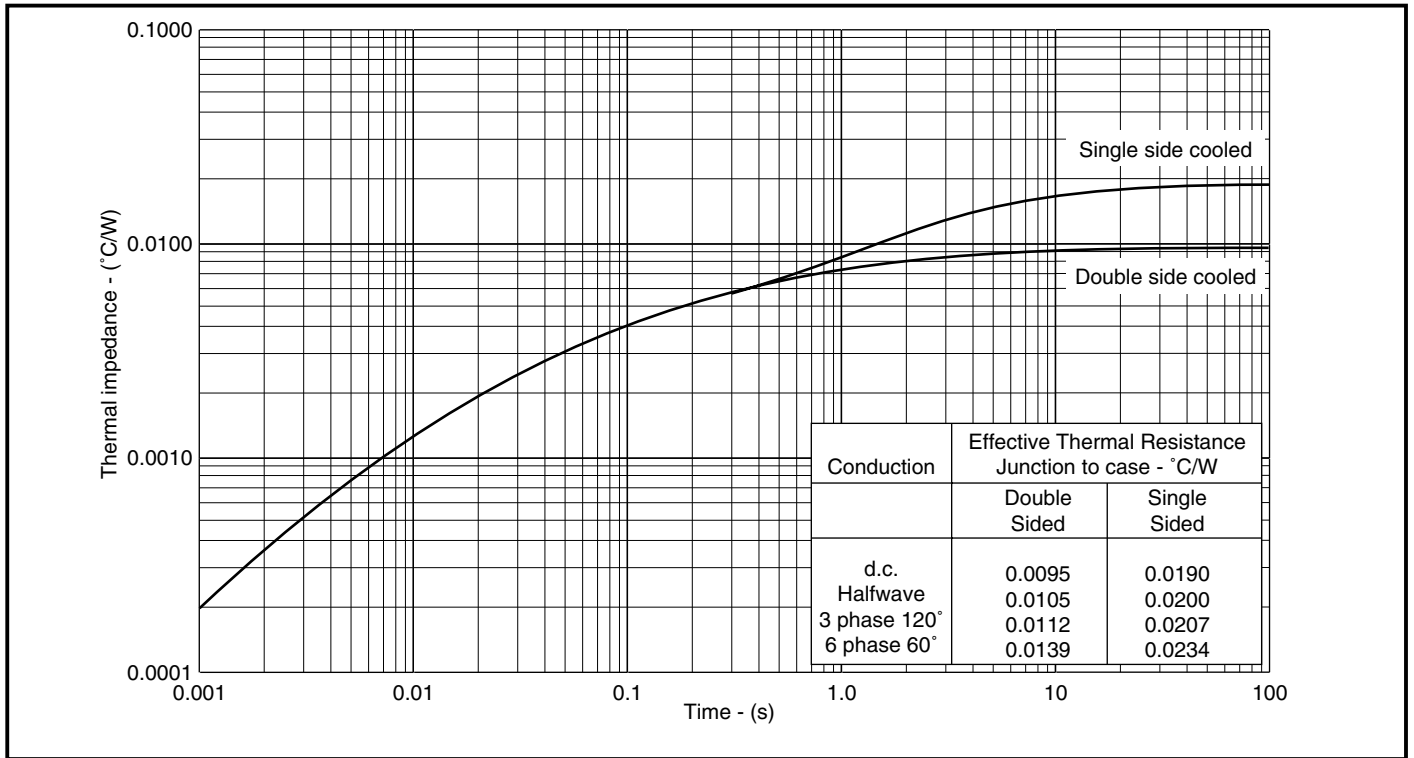


Fig. 5 Maximum (limit) transient thermal impedance - junction to case

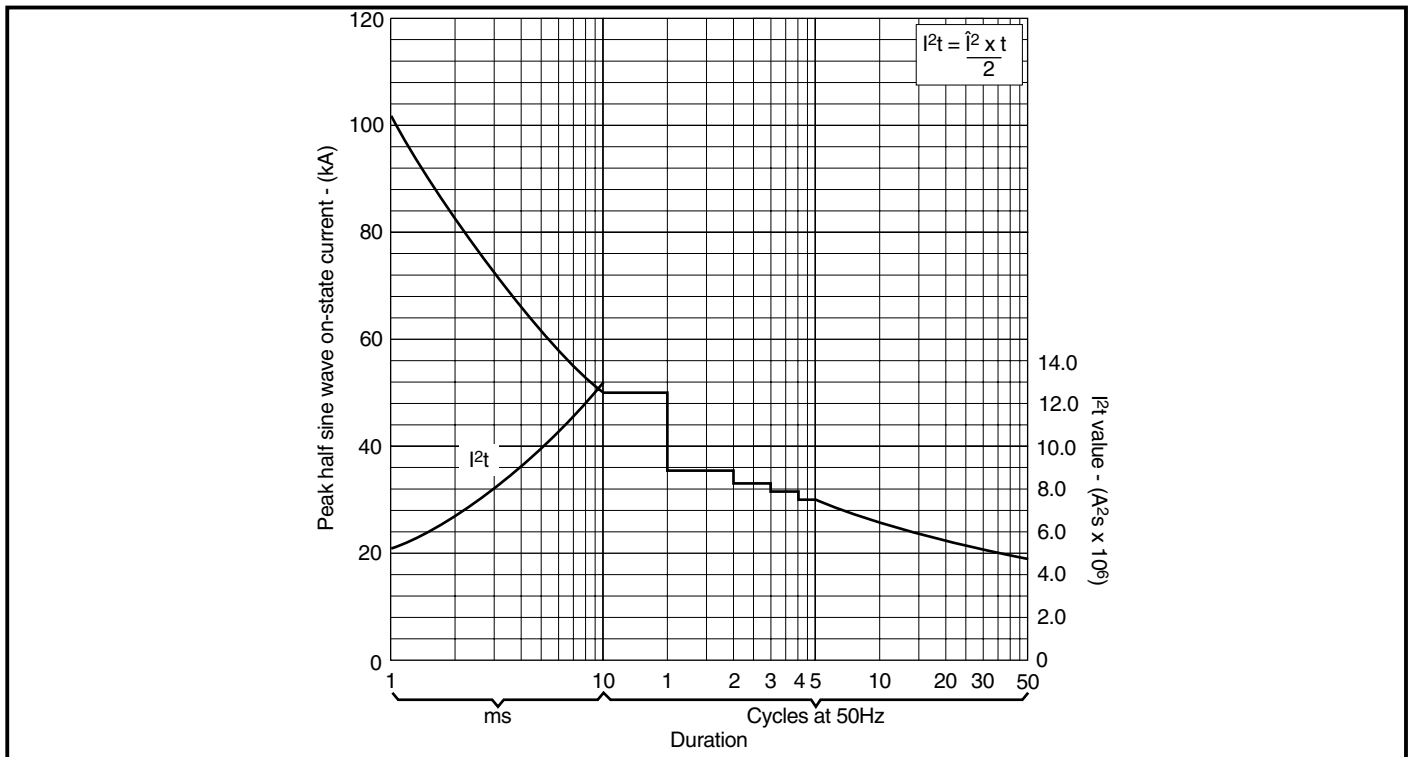
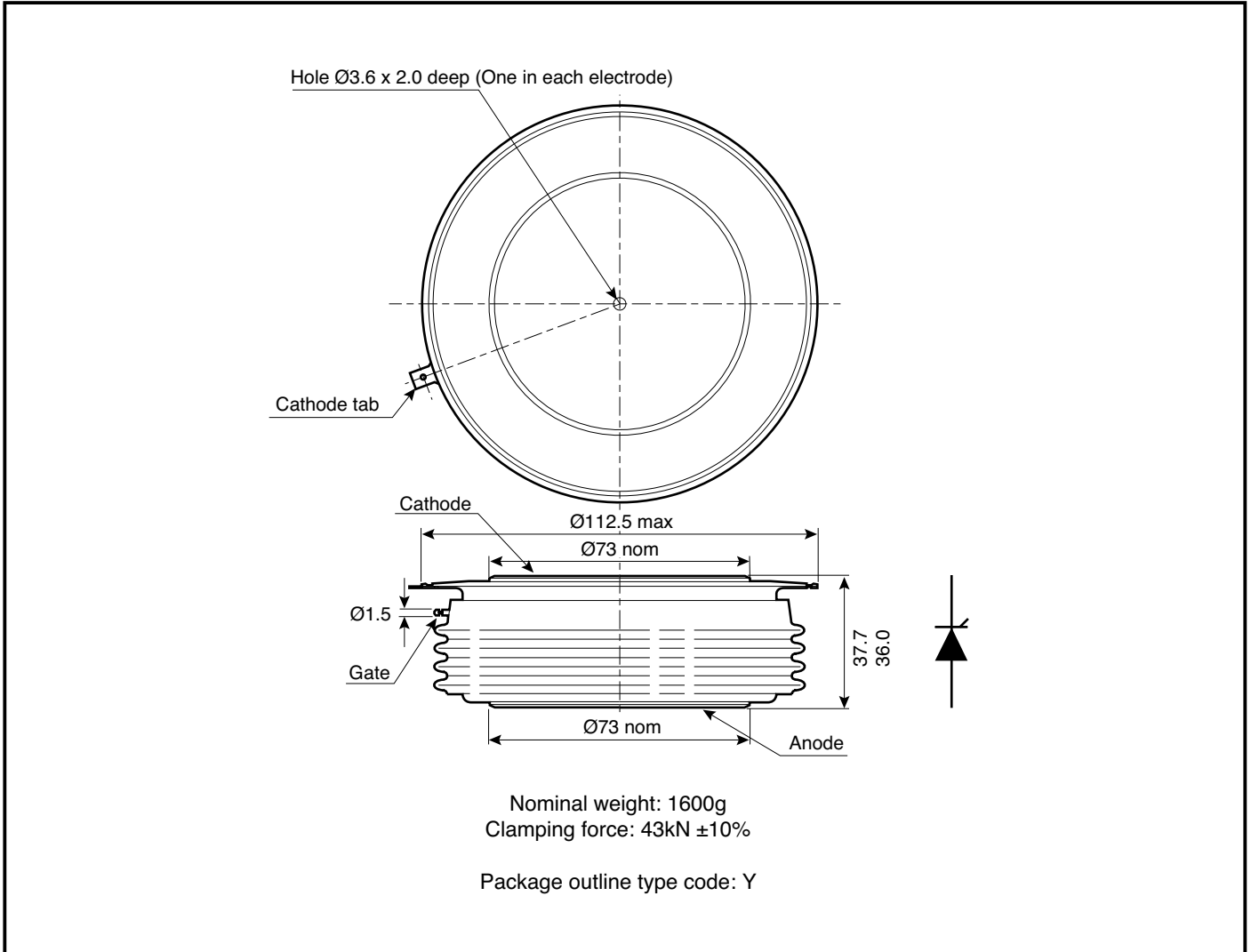


Fig. 6 Surge (non-repetitive) on-state current vs time (with 50%  $V_{RRM}$  at  $T_{case} = 125^\circ C$ )

**PACKAGE DETAILS**

For more information please contact Customer Services. All dimensions are stated in mm unless stated otherwise.  
DO NOT SCALE.



**Fig. 7 Package outline**

## POWER ASSEMBLY CAPABILITY

The Power Assembly group was set up to provide a support service for those customers requiring more than the basic semiconductor, and has developed a flexible range of heatsink and clamping systems in line with advances in device voltages and current capability of our semiconductors.

We offer an extensive range of air and liquid cooled assemblies covering the full range of circuit designs in general use today. The Assembly group offers high quality engineering support dedicated to designing new units to satisfy the growing needs of our customers.

Using the latest CAD methods our team of design and applications engineers aim to provide the Power Assembly Complete Solution (PACs).

## HEATSINKS

The Power Assembly group has its own proprietary range of extruded aluminium heatsinks which have been designed to optimise the performance of Dynex semiconductors. Data with respect to air natural, forced air and liquid cooling (with flow rates) is available on request.

For further information on device clamps, heatsinks and assemblies, please contact your nearest sales representative or Customer Services.



<http://www.dynexsemi.com>

**e-mail: [power\\_solutions@dynexsemi.com](mailto:power_solutions@dynexsemi.com)**

HEADQUARTERS OPERATIONS  
**DYNEX SEMICONDUCTOR LTD**  
Doddington Road, Lincoln.  
Lincolnshire. LN6 3LF. United Kingdom.  
Tel: +44-(0)1522-500500  
Fax: +44-(0)1522-500550

CUSTOMER SERVICE  
Tel: +44 (0)1522 502753 / 502901. Fax: +44 (0)1522 500020

SALES OFFICES  
**Benelux, Italy & Switzerland:** Tel: +33 (0)1 64 66 42 17. Fax: +33 (0)1 64 66 42 19.  
**France:** Tel: +33 (0)2 47 55 75 52. Fax: +33 (0)2 47 55 75 59.  
**Germany, Northern Europe, Spain & Rest Of World:** Tel: +44 (0)1522 502753 / 502901.  
Fax: +44 (0)1522 500020  
**North America:** Tel: (949) 733-3005. Fax: (949) 733-2986.

These offices are supported by Representatives and Distributors in many countries world-wide.  
© Dynex Semiconductor 2002 TECHNICAL DOCUMENTATION – NOT FOR RESALE. PRODUCED IN UNITED KINGDOM

### Datasheet Annotations:

Dynex Semiconductor annotate datasheets in the top right hand corner of the front page, to indicate product status. The annotations are as follows:-

**Target Information:** This is the most tentative form of information and represents a very preliminary specification. No actual design work on the product has been started.

**Preliminary Information:** The product is in design and development. The datasheet represents the product as it is understood but details may change.

**Advance Information:** The product design is complete and final characterisation for volume production is well in hand.

**No Annotation:** The product parameters are fixed and the product is available to datasheet specification.

This publication is issued to provide information only which (unless agreed by the Company in writing) may not be used, applied or reproduced for any purpose nor form part of any order or contract nor to be regarded as a representation relating to the products or services concerned. No warranty or guarantee express or implied is made regarding the capability, performance or suitability of any product or service. The Company reserves the right to alter without prior notice the specification, design or price of any product or service. Information concerning possible methods of use is provided as a guide only and does not constitute any guarantee that such methods of use will be satisfactory in a specific piece of equipment. It is the user's responsibility to fully determine the performance and suitability of any equipment using such information and to ensure that any publication or data used is up to date and has not been superseded. These products are not suitable for use in any medical products whose failure to perform may result in significant injury or death to the user. All products and materials are sold and services provided subject to the Company's conditions of sale, which are available on request.

All brand names and product names used in this publication are trademarks, registered trademarks or trade names of their respective owners.