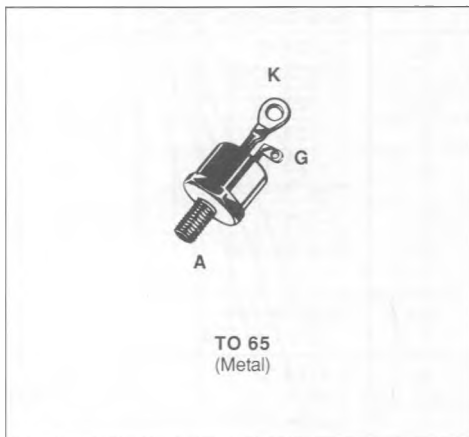


THYRISTORS

- GLASS PASSIVATED CHIP
- HIGH STABILITY AND RELIABILITY
- HIGH SURGE CAPABILITY


DESCRIPTION

General purpose SCR suited for power supplies up to 400 Hz on resistive or inductive loads.

ABSOLUTE RATINGS (limiting values)

Symbol	Parameter	Value	Unit	
$I_{T(RMS)}$	RMS on-state Current (1)	$T_c = 105^\circ\text{C}$ 63	A	
$I_{T(AV)}$	Mean on-state Current (1)	$T_c = 105^\circ\text{C}$ 40	A	
I_{TSM}	Non Repetitive Surge Peak on-state Current (T_j initial $\leq 125^\circ\text{C}$) (2)	$t = 8.3$ ms	950	A
		$t = 10$ ms	910	
I^2t	I^2t Value for Fusing	$t = 10$ ms	4150	A^2s
di/dt	Critical Rate of Rise of on-state Current (3)	100	$\text{A}/\mu\text{s}$	
T_{stg} T_j	Storage and Operating Junction Temperature Range	- 40 to 150	$^\circ\text{C}$	
		- 40 to 125	$^\circ\text{C}$	

Symbol	Parameter	BTW50-							Unit
		100	200	400	600	800	1000	1200	
V_{DRM} V_{RRM}	Repetitive Peak off-state Voltage (4)	100	200	400	600	800	1000	1200	V

(1) Single phase circuit, 180° conduction angle

(2) Half sine wave

(3) $I_G = 1.5$ A $di/dt = 1$ A/ μs .

(4) $T_j = 125^\circ\text{C}$.

THERMAL RESISTANCES

Symbol	Parameter	Value	Unit
$R_{th(j-c)}$	Junction-case for D.C.	0.36	$^\circ\text{C}/\text{W}$
$R_{th(c-h)}$	Contact (case to heatsink)	0.3	$^\circ\text{C}/\text{W}$

GATE CHARACTERISTICS (maximum values)

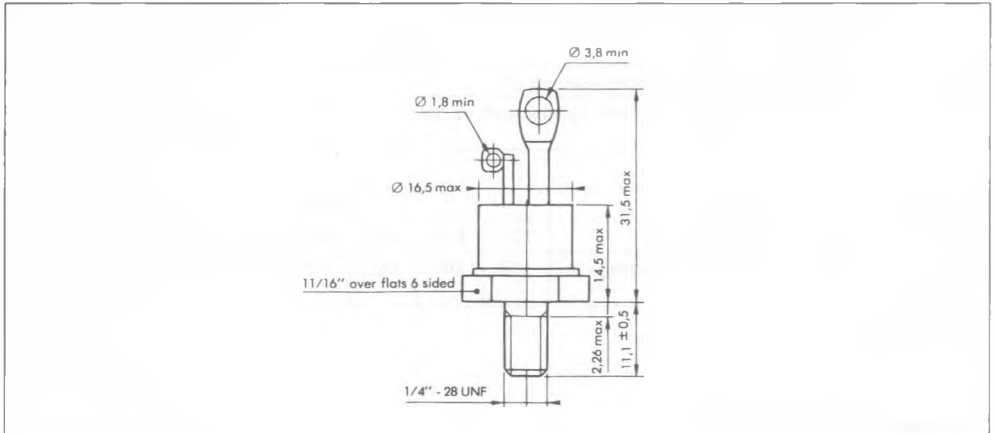
$P_{GM} = 80 \text{ W}$ ($t_p = 500 \mu\text{s}$) $I_{FGM} = 10 \text{ A}$ ($t_p = 500 \mu\text{s}$) $V_{RGM} = 5 \text{ V}$
 $P_{G(AV)} = 2 \text{ W}$ $V_{FGM} = 15 \text{ V}$ ($t_p = 500 \mu\text{s}$)

ELECTRICAL CHARACTERISTICS

Symbol	Test Conditions			Min.	Typ.	Max.	Unit
I_{GT}	$T_j = 25 \text{ }^\circ\text{C}$ Pulse Duration > 20 μs	$V_D = 12 \text{ V}$	$R_L = 33 \text{ } \Omega$			150	mA
V_{GT}	$T_j = 25 \text{ }^\circ\text{C}$ Pulse Duration > 20 μs	$V_D = 12 \text{ V}$	$R_L = 33 \text{ } \Omega$			1.5	V
V_{GD}	$T_j = 125 \text{ }^\circ\text{C}$	$V_D = V_{DRM}$	$R_L = 3.3 \text{ k}\Omega$	0.2			V
I_H	$T_j = 25 \text{ }^\circ\text{C}$	$I_T = 0.5 \text{ A}$	Gate Open		50		mA
I_L	$T_j = 25 \text{ }^\circ\text{C}$ Pulse Duration > 20 μs	$V_D = 12 \text{ V}$	$I_G = 300 \text{ mA}$		100		mA
V_{TM}	$T_j = 25 \text{ }^\circ\text{C}$	$I_{TM} = 500 \text{ A}$	$t_p = 10 \text{ ms}$			3	V
I_{DRM}	V_{DRM} Specified			$T_j = 25 \text{ }^\circ\text{C}$		0.02	mA
				$T_j = 125 \text{ }^\circ\text{C}$		12	
I_{RRM}	V_{RRM} Specified			$T_j = 25 \text{ }^\circ\text{C}$		0.02	mA
				$T_j = 125 \text{ }^\circ\text{C}$		12	
t_{gt}	$T_j = 25 \text{ }^\circ\text{C}$ $I_G = 1 \text{ A}$	$V_D = V_{DRM}$ $di_G/dt = 10 \text{ A}/\mu\text{s}$	$I_T = 500 \text{ A}$		2		μs
t_q	$T_j = 125 \text{ }^\circ\text{C}$ $V_D = 67 \% V_{DRM}$ Gate Open	$I_T = 500 \text{ A}$ $di/dt = 30 \text{ A}/\mu\text{s}$	$V_R = 50 \text{ V}$ $dv/dt = 20 \text{ V}/\mu\text{s}$		100		μs
dv/dt^*	$T_j = 125 \text{ }^\circ\text{C}$ Linear Slope up to $V_D = 67 \% V_{DRM}$	Gate Open		200			V/ μs

* For higher guaranteed values, please consult us.

PACKAGE MECHANICAL DATA : TO 65 Metal



Cooling method : by conduction (method C)
 Marking : type number
 Weight : 19 g without accessories
 Polarity : anode to case
 Stud torque : 3.5 mAN min - 3.8 mAN max.

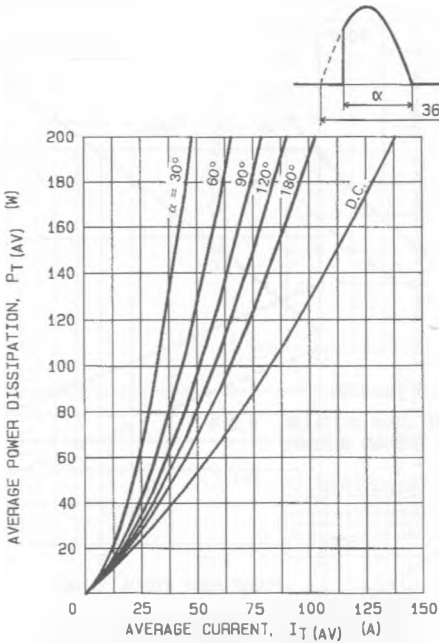


FIG. 1 - MAXIMUM ON-STATE POWER DISSIPATION FOR SINUSOIDAL CURRENT WAVEFORM

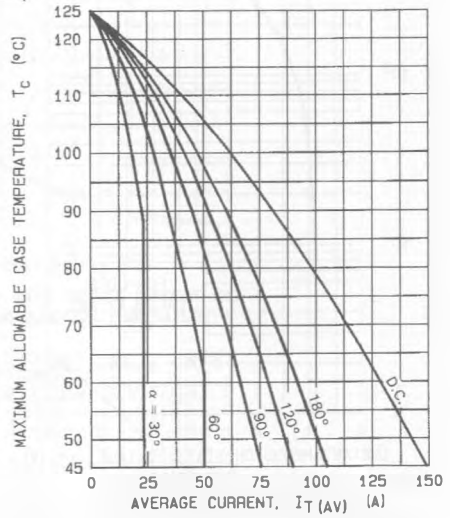


FIG. 2 - MAXIMUM ALLOWABLE CASE TEMPERATURE FOR SINUSOIDAL CURRENT WAVEFORM

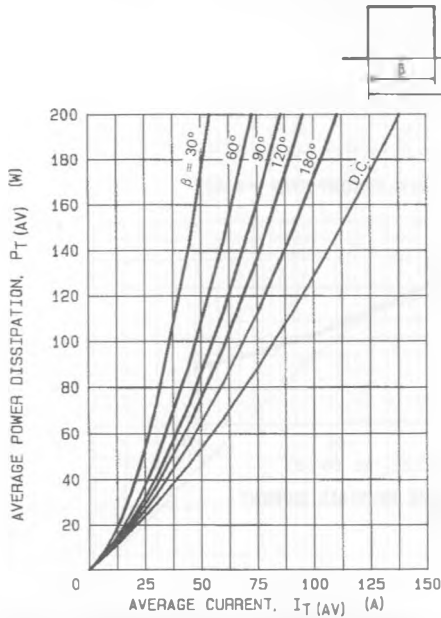


FIG. 3 - MAXIMUM ON-STATE POWER DISSIPATION FOR RECTANGULAR CURRENT WAVEFORM

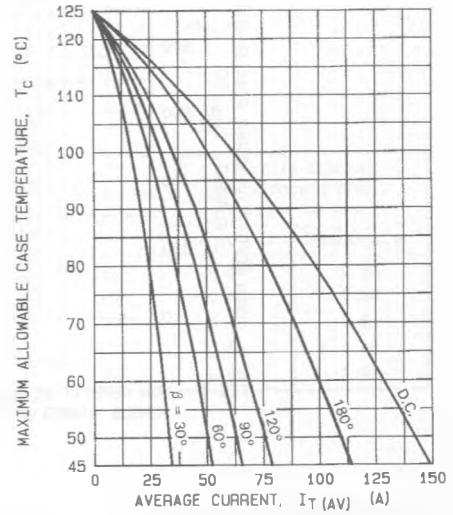


FIG. 4 - MAXIMUM ALLOWABLE CASE TEMPERATURE FOR RECTANGULAR CURRENT WAVEFORM

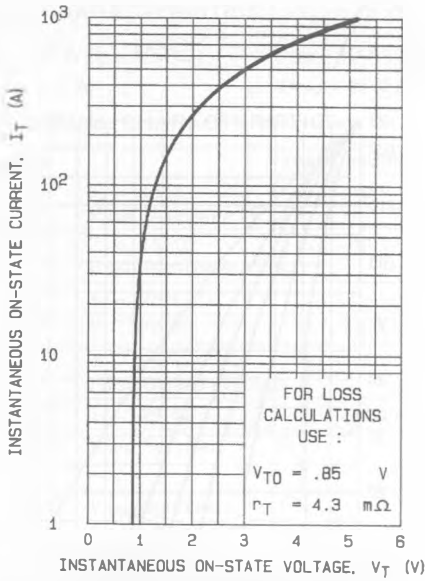


FIG.5 - MAXIMUM ON-STATE CONDUCTION CHARACTERISTIC ($T_J = 125^\circ\text{C}$).

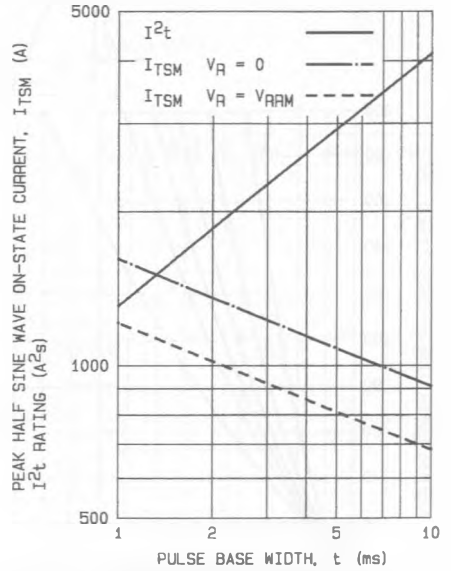


FIG.6 - NON REPETITIVE SUB-CYCLE SURGE ON-STATE CURRENT AND I^2t RATING (INITIAL $T_J = 125^\circ\text{C}$).

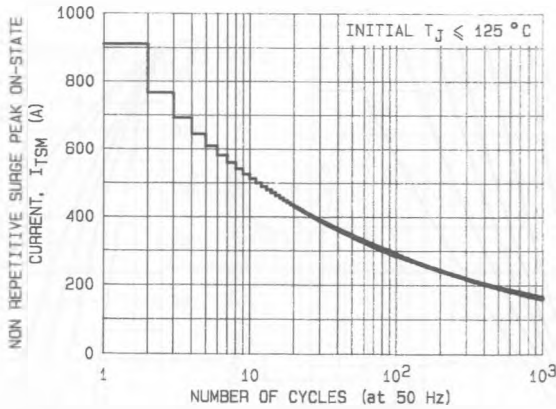


FIG.7 - NON REPETITIVE SURGE PEAK ON-STATE CURRENT VERSUS NUMBER OF CYCLES.

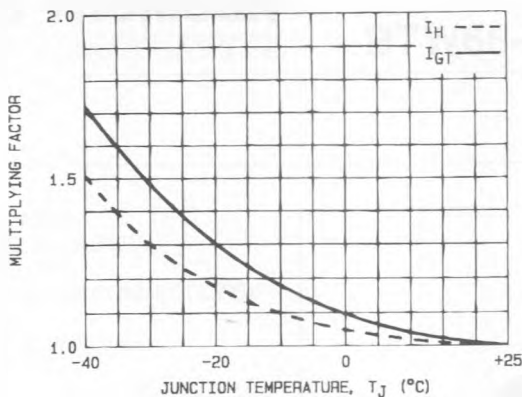


FIG.8 - RELATIVE VARIATION OF GATE TRIGGER CURRENT AND HOLDING CURRENT VERSUS JUNCTION TEMPERATURE.

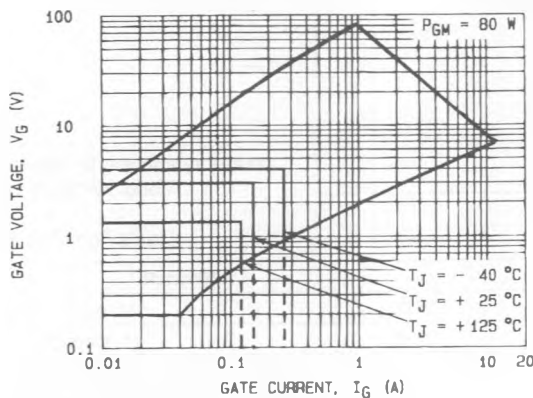


FIG.9 - GATE TRIGGER CHARACTERISTICS.

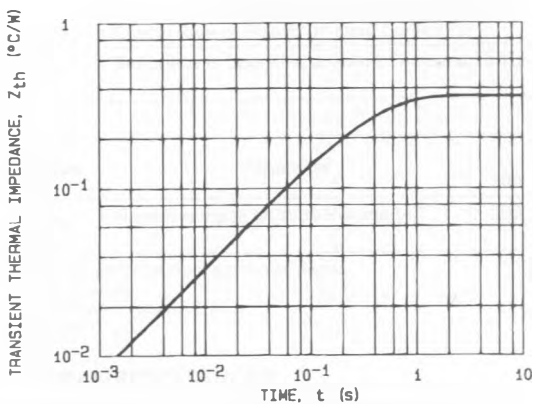


FIG.10 - TRANSIENT THERMAL IMPEDANCE JUNCTION TO CASE.

Conduction angle (α, β)	Effective thermal resistance ($^{\circ}\text{C}/\text{W}$) junction to case	
	Sinusoidal	Rectangular
180°	0.38	0.38
120°	0.40	0.54
90°	0.43	0.61
60°	0.50	0.68
30°	0.65	0.86