



**2SC2921**

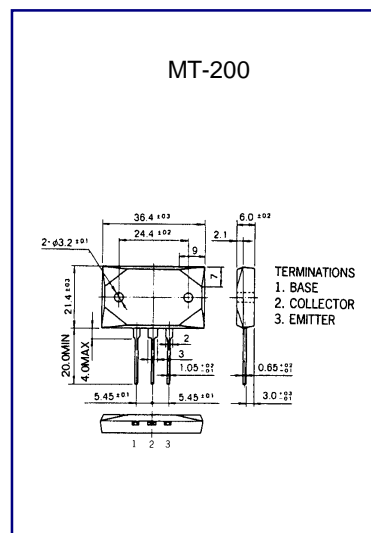
**NPN PLANAR SILICON TRANSISTOR**

**AUDIO POWER AMPLIFIER  
DC TO DC CONVERTER**

- High Current Capability
- High Power Dissipation
- Complementary to 2SA1215

**ABSOLUTE MAXIMUM RATING (Ta=25°C)**

| Characteristic            | Symbol | Rating  | Unit |
|---------------------------|--------|---------|------|
| Collector-Base Voltage    | VCBO   | 160     | V    |
| Collector-Emitter Voltage | VCEO   | 160     | V    |
| Emitter-Base voltage      | VEBO   | 6       | V    |
| Collector Current (DC)    | IC     | 15      | A    |
| Collector Dissipation     | PC     | 150     | W    |
| Junction Temperature      | Tj     | 150     | °C   |
| Storage Temperature       | Tstg   | -50~150 | °C   |



**ELECTRICAL CHARACTERISTICS (Ta=25°C)**

| Characteristic                        | Symbol   | Test Condition | Min | Typ | Max | Unit |
|---------------------------------------|----------|----------------|-----|-----|-----|------|
| Collector Base Breakdown Voltage      | BVCBO    | IC=10 mA IE=0  | 160 |     |     | V    |
| Collector Emitter Breakdown Voltage   | BVCEO    | IC=5 mA RBE=∞  | 160 |     |     | V    |
| Emitter Base Breakdown Voltage        | BVEBO    | IE=4mA IC=0    | 6   |     |     | V    |
| Collector Cutoff Current              | ICBO     | VCB=80V IE=0   |     |     | 0.1 | mA   |
| Emitter Cutoff Current                | IEBO     | VEB=4V IC=0    |     |     | 0.1 | mA   |
| *DC Current Gain                      | hFE1     | VCE=5V IC=1A   | 50  |     | 150 |      |
| DC Current Gain                       | hFE2     | VCE=4V IC=5A   | 50  |     |     |      |
| Collector- Emitter Saturation Voltage | VCE(sat) | IC=5A IB=0.5A  |     |     | 2.0 | V    |