

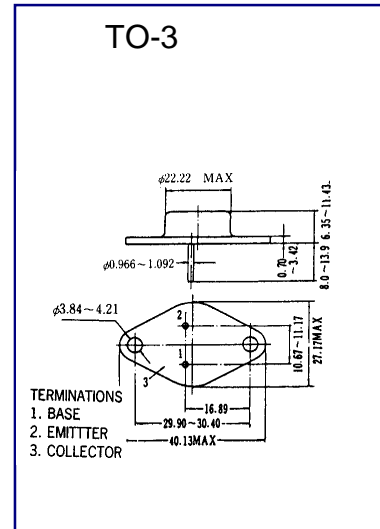


2SC1413A

# NPN TRIPLE DIFFUSED PLANAR SILICON TRANSISTOR

## COLOR TV HORIZONTAL OUTPUT APPLICATIONS(No Damper Diode)

- High Collector-Base Voltage(VCBO=1500V)
- High Speed Switching



## ABSOLUTE MAXIMUM RATINGS (Ta=25°C)

Characteristic	Symbol	Rating	Unit
Collector-Base Voltage	VCBO	1500	V
Collector-Emitter Voltage	VCEO	800	V
Emitter-Base voltage	VEBO	6	V
Collector Current (DC)	IC	5	A
Collector Dissipation (Tc=25°C)	PC	50	W
Junction Temperature	Tj	150	°C
Storage Temperature	Tstg	-50~150	°C

## ELECTRICAL CHARACTERISTICS (Ta=25°C)

Characteristic	Symbol	Test Condition	Min	Typ	Max	Unit
Collector- Emitter Cutoff Current(VBE=0)	ICES	VCE= 600V ,			1.0	mA
Collector Cutoff Current	ICBO	RBE=0			10	μA
Emitter Cutoff Current	IEBO	VCB= 800 V, IE=0			1.0	mA
DC Current Gain	hFE	VEB= 4V, IC=0	8			
Collector- Emitter Saturation Voltage	VCE(sat)	VCE= 5V, IC=1A IC=4A, IB=1A			5.0	V